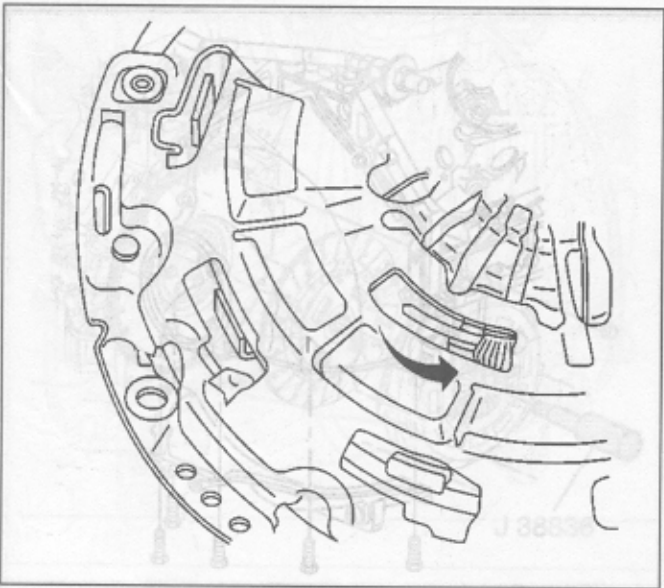
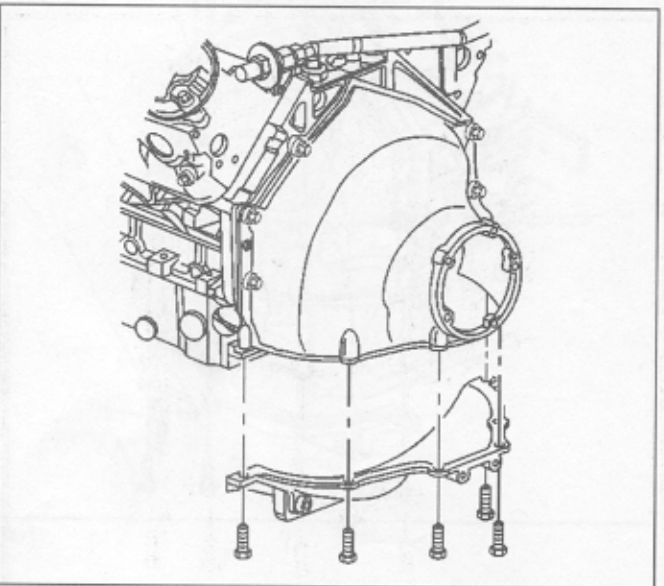


173634



174781



71518

Clutch Pressure Plate Adjustment (Off-Vehicle)

1. Place the clutch pressure plate, flat surface down, on a press.
2. Compress the pressure plate diaphragm spring fingers until tension is released from the stepped adjusting ring.
3. Hold 2 screwdrivers or other suitable tools, and place them against 2 of the 3 stepped adjusting ring tension spring stops (1), just ahead of the adjusting ring tension springs.
4. Remove the clutch pressure plate and the clutch driven plate.

4. Using the screwdrivers, rotate the stepped adjusting ring counterclockwise (compressing the tension springs) until the adjusting ring steps are fully adjusted out, then continue to hold in position.
5. Release the press pressure from the pressure plate diaphragm spring fingers.
6. Release the adjusting ring tension spring stops.
7. Remove the pressure plate from the press.

Clutch Pressure Plate Adjustment (On-Vehicle)

Important: The aid of an assistant will be necessary during this procedure.

1. Raise and suitably support the vehicle. Refer to *Lifting and Jacking the Vehicle* in General Information.
2. Remove the engine flywheel inspection cover retaining bolts.
3. Remove the engine flywheel inspection cover.

4. Have an assistant press the clutch pedal until tension is released from the clutch pressure plate stepped adjusting ring, then continue to hold the pedal.

5. Hold 2 screwdrivers or other suitable tools, and place them against 2 of the 3 stepped adjusting ring tension spring stops (1), just ahead of the adjusting ring tension springs.

6. Using the screwdrivers, rotate the stepped adjusting ring counterclockwise (compressing the tension springs) until the adjusting ring steps are fully adjusted out, then continue to hold in position.

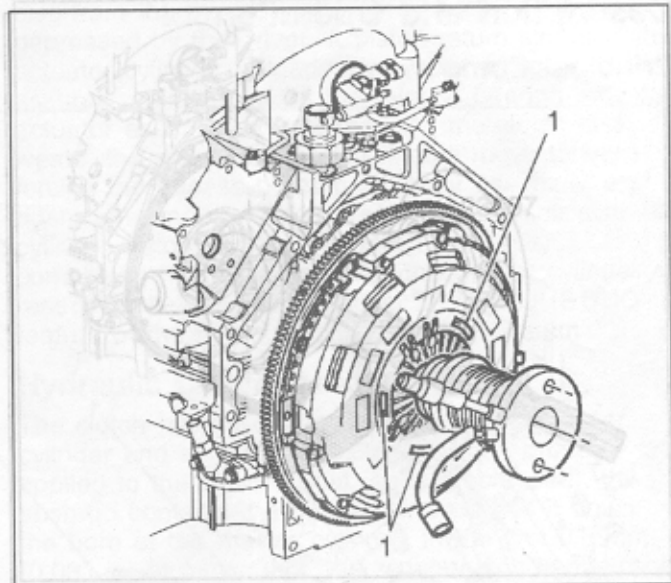
7. Have your assistant release the clutch pedal.

8. Release the adjusting ring tension spring stops.

9. Install the engine flywheel inspection cover.

10. Install the engine flywheel inspection cover retaining bolts.

11. Lower the vehicle.



173631

6. Using the screwdrivers, rotate the stepped adjusting ring counterclockwise (compressing the tension springs) until the adjusting ring steps are fully adjusted out, then continue to hold in position.

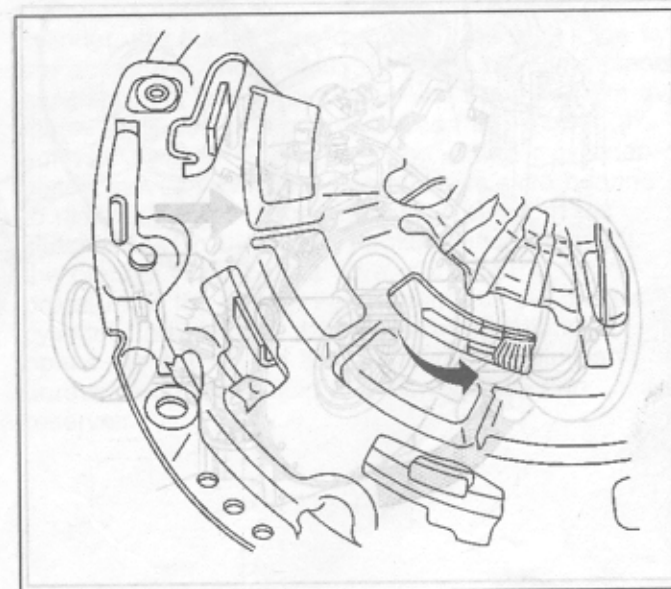
7. Have your assistant release the clutch pedal.

8. Release the adjusting ring tension spring stops.

9. Install the engine flywheel inspection cover.

10. Install the engine flywheel inspection cover retaining bolts.

11. Lower the vehicle.



174781

9. Install the engine flywheel inspection cover.

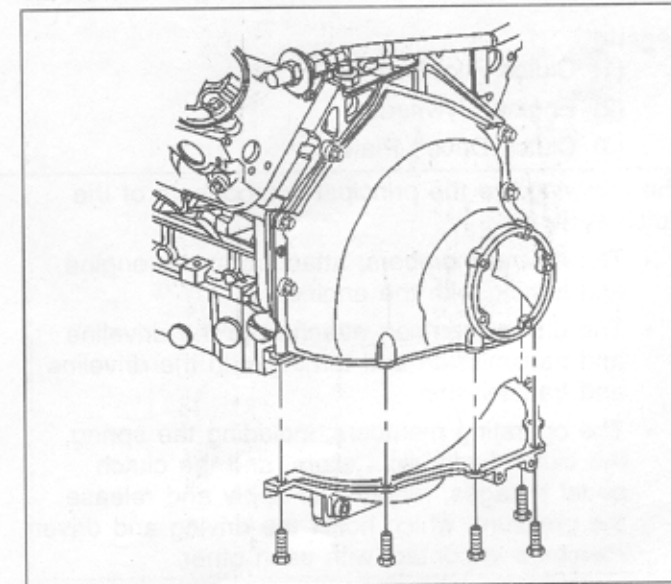
Notice: Refer to *Fastener Notice* in Cautions and Notices.

10. Install the engine flywheel inspection cover retaining bolts.

Tighten

Tighten the engine flywheel inspection cover retaining bolts to 25 N·m (18 lb ft).

11. Lower the vehicle.



17518