

Thank you for choosing Chevrolet Performance Parts as your high performance source. Chevrolet Performance Parts is committed to providing proven, innovative performance technology that is truly... more than just power. Chevrolet Performance Parts are engineered, developed and tested to exceed your expectations for fit and function. Please refer to our catalog for the Chevrolet Performance Parts Authorized Center nearest you or visit our website at www.chevroletperformance.com.

This publication provides general information on components and procedures which may be useful when installing or servicing your crate engine. Please read this entire publication before starting work.

This crate engine is assembled using brand new, premium quality components. It is based off of the Chevrolet Generation V LT1 Series architecture, and utilize such modern technologies as individual ignition coil per cylinder and direct fuel injection. Due to the wide range of small block applications, if you are retrofitting a previous small block application, you may encounter installation differences between your crate engine assembly and the previous version. These differences may require modifications or additional components not included with the engine, including cooling, fuel, electrical, and exhaust systems. Some fabrication work may be required.

The LT1 crate engine require an engine control system which is available from your Chevrolet Performance Parts dealer. Check with your dealer or on www.chevroletperformance.com for the control system packages that are currently available.

It is not the intent of these specifications to replace the comprehensive and detailed service practices explained in the Chevrolet service manuals. For information about warranty coverage, please contact your local Chevrolet Performance Parts dealer.

Observe all safety precautions and warnings in the service manuals when installing a crate engine in any vehicle. Wear eye protection and appropriate protective clothing. When working under or around the vehicle support it securely with jack stands. Use only the proper tools. Exercise extreme caution when working with flammable, corrosive, and hazardous liquids and materials. Some procedures require special equipment and skills. If you do not have the appropriate training, expertise, and tools to perform any part of this conversion safely, this work should be done by a professional.

This publication is intended to provide information about this crate engine and related components. This manual also describes procedures and modifications that may be useful during the installation of an LT1 crate engine. It is not intended to replace the comprehensive service manuals and parts catalogs which cover Chevrolet Performance engines and components. Rather, it is designed to provide supplemental information in areas of interest to "do-it-yourself" enthusiasts and mechanics. This publication pertains to engines and vehicles which are used off the public highways except where specifically noted otherwise.

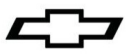
Legal and Emissions Information

Federal law restricts the removal of any part of a federally required emission control system on motor vehicles. Further, many states have enacted laws which prohibit tampering with or modifying any required emission or noise control system. Vehicles which are not operated on public highways are generally exempt from most regulations, as are some special interest and pre-emission vehicles. The reader is strongly urged to check all applicable local and state laws. Many of the parts described or listed in this manual are merchandised for off-highway application only, and are tagged with the "Special Parts Notice" reproduced here:

Special Parts Notice

This part has been specifically designed for Off-Highway application only. Since the installation of this part may either impair your vehicle's emission control performance or be uncertified under current Motor Vehicle Safety Standards, it should not be installed in a vehicle used on any street or highway. Additionally, any such application could adversely affect the warranty coverage of such an on-street or highway vehicle.

TITLE Performance Parts LT1 Engine		PART NO. 19328729	SHEET 1 OF 33
ALL INFORMATION WITHIN ABOVE BORDER TO BE PRINTED EXACTLY AS SHOWN ON 8 1/2 x 11 WHITE 16 POUND BOND PAPER. PRINT ON BOTH SIDES, EXCLUDING TEMPLATES. TO BE UNITIZED IN ACCORDANCE WITH GM SPECIFICATIONS.	DATE	REVISION	AUTH
	03JN14	Initial Release - Rocko Parker	N/A



Kit Content

<u>Description</u>	<u>Quantity</u>
Engine	1
Oil fill cap (wet sump oil only)	1
Instruction sheets	1

Cylinder Deactivation - Not Used With Chevrolet Performance Engine Control Kit

This engine is used in the Generation 7 Corvette. In production, to provide maximum fuel economy under light load driving conditions, the engine control module (ECM) will command the cylinder deactivation system ON to deactivate engine cylinders 1, 7, 6, and 4, switching to a V4 mode. The engine will operate on 8 cylinders, or V8 mode, during engine starting, engine idling, and medium to heavy throttle applications. This system requires many inputs (weight of vehicle, tire size, final drive ratio, etc.) to work properly. These parameters are unknown when selling the Chevrolet Performance engine controller kit. Due to these unknown parameters as well as the need to tune the motor mounts and exhaust system for operation in both V8 and V4 modes. The Chevrolet Performance engine control kit disables this feature. The engine has not been changed, so cylinder deactivation hardware is still present.

Ignition System

The Gen-V has an advanced 58X crankshaft position encoder to ensure that ignition timing is accurate throughout its operating range. The 58X crankshaft ring and sensor provide more immediate, accurate information on the crankshaft's position during rotation. This allows the ECM to adjust ignition timing with greater precision, which optimizes performance and economy. Engine starting is also more consistent in all operating conditions.

In conjunction with 58X crankshaft timing, the Gen-V applies the latest digital cam-timing technology. The cam sensor is located in the front engine cover, and it reads a 4X sensor target on the camshaft phaser rotor which is attached to the front end of the camshaft. The target ring has four equally spaced segments that communicate the camshaft's position more quickly and accurately than previous systems with a single segment.

The dual 58X/4X measurement ensures extremely accurate timing for the life of the engine. Moreover, it provides an effective backup system in the event one sensor fails.

Air Induction Humidity Sensor: This new feature ensures optimal combustion efficiency, regardless of the surrounding air's humidity.

Coil-on-Plug Ignition: The Gen-V's individual coil-near-plug ignition features advanced coils that are compact and mounted on the rocker covers, although they are positioned differently than on Gen-IV engine. An individual coil for each spark plug delivers maximum voltage and consistent spark density, with no variation between cylinders.

Iridium-Tip Spark Plugs: The spark plugs have an iridium electrode tip and an iridium core in the conductor, offering higher internal resistance while maintaining optimal spark density over its useful life. The electrode design improves combustion efficiency.

Fuel System

Low Pressure (Fuel Tank To Engine)

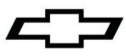
The production system uses a returnless variable flow/pressure system that has been incorporated in the Chevrolet Performance engine control kit. A returnless fuel system reduces the internal temperature of the fuel tank by controlling the speed of the fuel pump and not returning hot fuel from the engine to the fuel tank. If using the Chevrolet Performance engine control kit, a pulse width modulation capable fuel pump that delivers 500 kPa (72psi) at 45 gallons per hour is required. If not using the Chevrolet Performance engine control system, then a fuel pump and a regulator that delivers 500kPa (72psi) with 45 gallons per hour of flow must be used.

High Pressure (On Engine)

The high fuel pressure necessary for direct injection is supplied by the high pressure fuel pump. The high pressure fuel pump is mounted on the rear of the engine under the intake manifold and is driven by a three-lobe cam on the camshaft. This high pressure fuel pump also regulates the fuel pressure using an actuator in the form of an internal solenoid-controlled valve that is controlled by the ECM.

TITLE Performance Parts LT1 Engine	PART NO. 19328729	SHEET 2 OF 33
---	--------------------------	-----------------------------

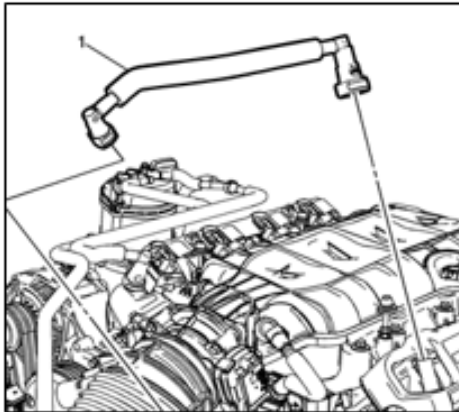
ALL INFORMATION WITHIN ABOVE BORDER TO BE PRINTED EXACTLY AS SHOWN ON 8 1/2 x 11 WHITE 16 POUND BOND PAPER. PRINT ON BOTH SIDES, EXCLUDING TEMPLATES. TO BE UNITIZED IN ACCORDANCE WITH GM SPECIFICATIONS.	DATE	REVISION	AUTH
	03JN14	Initial Release - Rocko Parker	N/A



Positive Crankcase Ventilation (PCV) System

A closed crankcase ventilation system is used in order to provide a more complete scavenging of the crankcase vapors. Fresh air from the air filtration system (air cleaner) is supplied to the crankcase, mixed with blow-by gases, and then passed through a crankcase ventilation valve into the intake manifold. There are two ports, one each per valve cover, that need to be connected to the engine air filtration system (air cleaner). These ports need to be connected somewhere between the Mass Air Flow (MAF) meter and the engine throttle body. The air for PCV needs to be measured by the MAF, in order for proper engine operation. PCV hose 12645127 can be purchased to obtain the quick connect fitting, when creating a custom installation (item 1 in figure 1)

Fig.1



Variable Camshaft Timing

This engine has the ability to vary the camshaft position versus the piston position. If you chose to use the Chevrolet Performance engine controller kit, then it will vary camshaft timing to improve emission and fuel economy, while still producing great power.

At idle, for example, the cam is at the full advanced position, allowing exceptionally smooth idling. Under other conditions, the phaser adjusts to deliver optimal valve timing for performance, drivability and fuel economy. At high rpm it may retard timing to maximize airflow through the engine and increase horsepower. At low rpm it can advance timing to increase torque. Under a light loads, it can retard timing at all engine speeds to improve fuel economy.

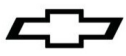
A vane-type phaser is installed on the front of the camshaft to change its angular orientation relative to the sprocket, thereby adjusting the timing of valve operation on the fly. It is a dual-equal cam phasing system that adjusts camshaft timing at the same rate for both intake and exhaust valves. The system allows linear delivery of torque, with near-peak levels over a broad rpm range, and high specific output (horsepower per liter of displacement) without sacrificing overall engine response, or drivability. It also provides another effective tool for controlling exhaust emissions.

Engine Oil Pump - Wet Sump Oil System

Engine lubrication is supplied by a variable displacement two-stage vane-type oil pump assembly. An oil control solenoid valve, controlled by the ECM, mounted to the oil pump provides two stage functionality. The oil pump is mounted on the front of the engine block and driven directly by the crankshaft sprocket. The pump rotor and vanes rotate and draw oil from the oil pan sump through a pick-up screen and pipe. The oil is pressurized as it passes through the pump and is sent through the engine block oil galleries. The variable pressure/flow oil pump must be controlled by the ECM in order to maintain proper lubrication and minimize excessive oil delivery to the cylinder heads and PCV system. There are several devices on the LT1 that use oil pressure to maintain proper functionality. The ECM controls engine oil pressure and flow for oil spray piston cooling, variable valve timing, cylinder deactivation along with crankshaft and camshaft bearing cooling. The default mode for the oil pump is high flow and high pressure. This can lead to excessive oil consumption thru the PCV system.

TITLE Performance Parts LT1 Engine	PART NO. 19328729	SHEET 3 OF 33
---	--------------------------	-----------------------------

ALL INFORMATION WITHIN ABOVE BORDER TO BE PRINTED EXACTLY AS SHOWN ON 8 1/2 x 11 WHITE 16 POUND BOND PAPER. PRINT ON BOTH SIDES, EXCLUDING TEMPLATES. TO BE UNITIZED IN ACCORDANCE WITH GM SPECIFICATIONS.	DATE	REVISION	AUTH
	03JN14	Initial Release - Rocko Parker	N/A



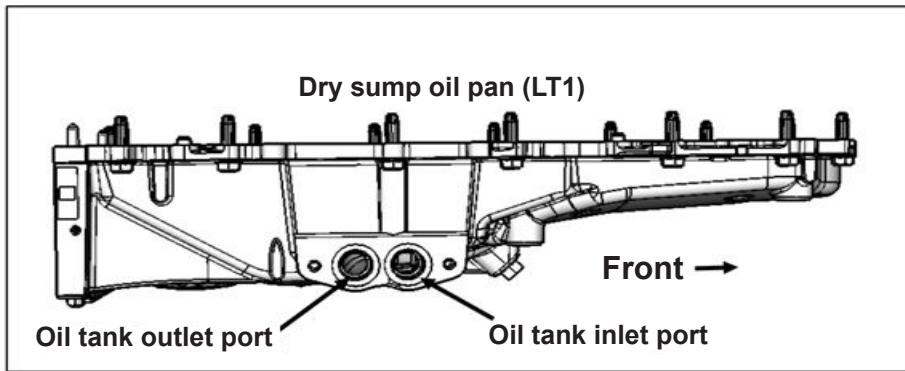
Engine Oil Pump - Dry Sump Oiling

Engine lubrication is supplied by a two-stage oil pump assembly. The oil pump assembly consists of a primary vane-type variable displacement pump and a secondary geroter-style pump. The primary pump contains a pressure relief valve that protects the oil pan mounted oil filter from over pressurization during cold engine start up. If system pressure exceeds 600 kPa (87 psi), the pressure relief valve will open and exhaust oil back into the oil pan. The front or forward gear set is the secondary pump. The rear or rearward housing contains the primary pump. The pump assembly is mounted at the front of the engine and driven directly by the crankshaft sprocket. The vanes of the primary pump rotate clockwise and draw oil from the engine oil tank through the oil tank screen. The oil is pressurized as it passes through the primary pump and is sent through the engine block lower oil gallery.

Pressurized oil is directed through the engine block lower oil gallery to the full flow oil filter where harmful contaminants are removed. A bypass valve is incorporated into the oil filter, which permits oil flow in the event the filter becomes restricted.

Oil exits the oil filter and is then directed to the external oil cooler. The external oil cooler is a liquid to liquid (engine coolant to oil) oil cooler and consists of an oil pan mounted core and coolant lines that connect the oil cooler to the engine cooling circuit. A bypass valve is incorporated into the oil cooler assembly in the event oil flow within the cooler is restricted. Oil returns from the oil cooler and is directed to the upper main oil galleries.

The oil tank inlet port is used to supply scavenged oil from the engine to the storage tank. The oil tank outlet port is used to supply non-aerated oil from the storage tank to the engine. Chevrolet Performance parts oil adaptor kit part number 25534412 can be used to convert to AN-12 fittings.



When replacing engine oil, there are two oil drain plugs within the oil pan. One plug drains the oil pan and the other plug drains the storage tank.

Powertrain Cooling

Coolant Type

40/60 coolant/water mixture of clean, drinkable water and use only DEX-COOL® Coolant.

Engine Cooling System

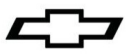
A surge tank is recommended for removing air from the engine coolant, but as long as the radiator or surge tank is the highest point in the system, then air will be evacuated from the coolant. The highest point, meaning that either the radiator or the surge tank have a portion higher than the top of the cylinder heads. If they are not, then air can be trapped within the cylinder heads and cause portions of the cylinder heads to overheat, which will be detrimental to engine performance and longevity.

Coolant is drawn from the radiator outlet and into the water pump inlet by the water pump. Some coolant will then be pumped from the water pump, to the heater core, then back to the water pump. This provides the passenger compartment with heat and defrost.

Coolant is also pumped through the water pump outlet and into the engine block. In the engine block, the coolant circulates through the water jackets surrounding the cylinders where it absorbs heat.

TITLE Performance Parts LT1 Engine	PART NO. 19328729	SHEET 4 OF 33
---	--------------------------	-----------------------------

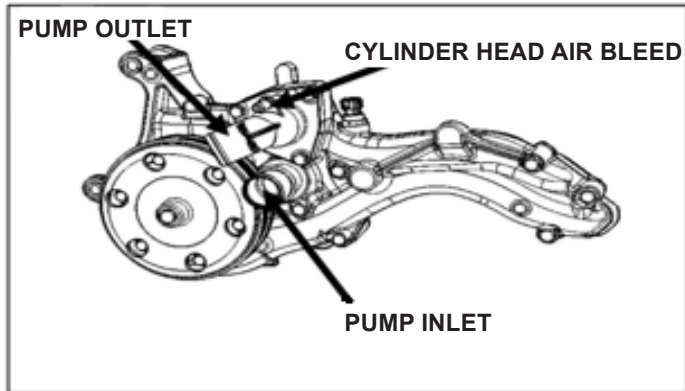
ALL INFORMATION WITHIN ABOVE BORDER TO BE PRINTED EXACTLY AS SHOWN ON 8 1/2 x 11 WHITE 16 POUND BOND PAPER. PRINT ON BOTH SIDES, EXCLUDING TEMPLATES. TO BE UNITIZED IN ACCORDANCE WITH GM SPECIFICATIONS.	DATE	REVISION	AUTH
	03JN14	Initial Release - Rocko Parker	N/A



The coolant is then forced through the cylinder head gasket openings and into the cylinder heads. In the cylinder heads, the coolant flows through the water jackets surrounding the combustion chambers and valve seats, where it absorbs additional heat.

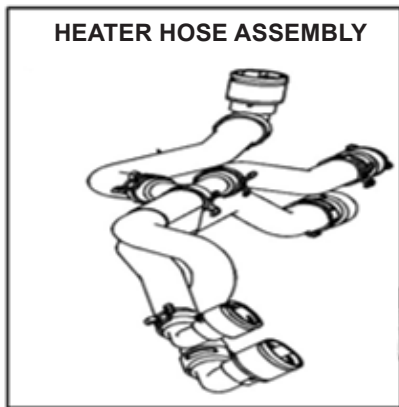
From the cylinder heads, the coolant is then forced to the thermostat. The flow of coolant will either be stopped at the thermostat until the engine is warmed, or it will flow through the thermostat and into the radiator where it is cooled and the coolant cycle is completed.

The cylinder head air bleed needs to be routed to the highest point in the cooling system. This will assist in removing air from the cylinder heads (Figure. 2).



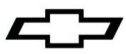
Hose 22768503 can be purchase to obtain the heater inlet/outlet quick connects, when creating a custom installation (Figure 3).

Fig. 3



TITLE Performance Parts LT1 Engine	PART NO. 19328729	SHEET 5 OF 33
---	--------------------------	-----------------------------

ALL INFORMATION WITHIN ABOVE BORDER TO BE PRINTED EXACTLY AS SHOWN ON 8 1/2 x 11 WHITE 16 POUND BOND PAPER. PRINT ON BOTH SIDES, EXCLUDING TEMPLATES. TO BE UNITIZED IN ACCORDANCE WITH GM SPECIFICATIONS.	DATE	REVISION	AUTH
	03JN14	Initial Release - Rocko Parker	N/A

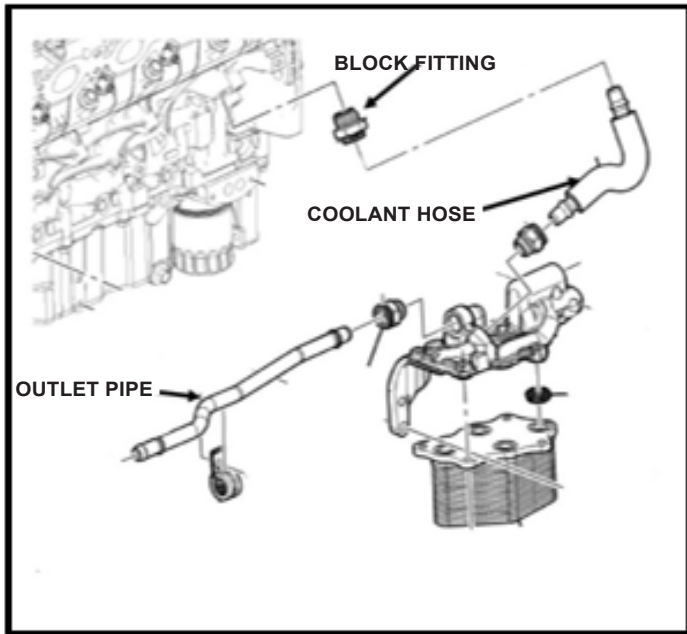


Engine Oil Cooling

The engine as delivered comes with a liquid to liquid engine oil cooler. Engine oil is pumped thru the cooler and engine coolant is pumped thru the cooler, to transfer the engine oil heat into the engine coolant. The engine coolant should route to the lower portion of the radiator, or inlet hose of the coolant pump. Heat is then removed by the engine radiator. Depending on the installation, the engine oil cooler can be used or it can be removed. If using this heat exchanger, then the following parts will assist in the installation (Figure 4).

<u>DESCRIPTION</u>	<u>PART NUMBER</u>	<u>QUANTITY</u>
Hose-engine cooler	22768504	1
Fitting-block hose	22876452	1
Pipe-cooler outlet	22768508	1

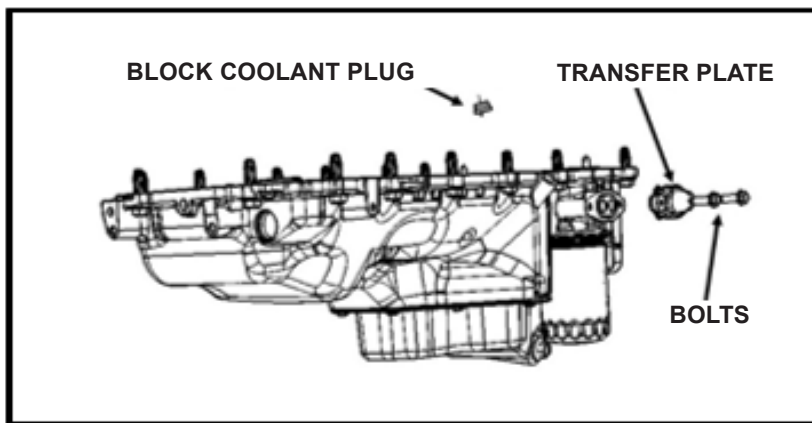
Fig. 4

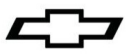


If the cooler is not used then the following parts can be used (Figure 5).

<u>DESCRIPTION</u>	<u>PART NUMBER</u>	<u>QUANTITY</u>
Plug-block coolant	11611351	1
Plate-oil transfer	12633987	1
Bolt-oil plate	11562426	2

Fig. 5





The LT1 Gen-V engine feature oil-spray piston cooling, in which eight oil-spraying jets in the engine block drench the underside of each piston and the surrounding cylinder wall with an extra layer of cooling, friction-reducing oil. The oil spray reduces piston temperature, promoting extreme output and long-term durability. The extra layer of oil on the cylinder walls and wristpin also dampens noise originating from the pistons.

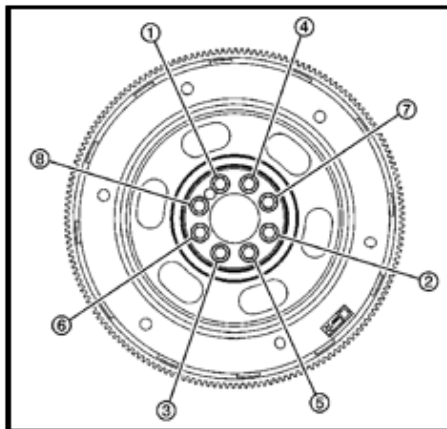
Flexplate

The supplied flexplate is designed for a rear transmission. Chevrolet performance parts offers a standard flexplate (part number 12620099) that maybe used (verify torque convertor bolt pattern). This flex plate has 6 evenly spaced (60 degrees apart) attachment holes on a 281mm (11.063”) diameter spacing, for the torque convertor.

NOTE: The flex plate does not use a locating pin for alignment and will not initially seat against the crankshaft flange, but will be pulled onto the crankshaft by the engine flex plate bolts. This procedure requires a 3 stage tightening process.

1. Install the flex plate to the crankshaft. (figure 6)
2. Apply thread lock to the threads of the flex plate bolts.
3. Install the engine flex plate bolts.
4. Tighten the engine flex plate bolts (1–8) a first pass in sequence to 15 nm (11 lb. ft.).
5. Tighten the engine flex plate bolts (1–8) a second pass in sequence to 30 nm (22 lb. ft.).
6. Tighten the engine flex plate bolts (1–8) a final pass in sequence an additional 30 degrees.

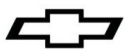
Fig. 6



Pilot Bearing

You must install a pilot bearing in the rear of the crankshaft, if the engine will be used with a manual transmission. The pilot bearing aligns the transmission input shaft with the crankshaft centerline. A worn or misaligned pilot bearing can cause shifting problems and rapid clutch wear. There are two different Chevrolet pilot bearings for the LT1. 14061685 is for a long input shaft transmission and 12557583 is for a short input shaft transmission. Verify fit prior to installing the transmission or damage will occur.

TITLE Performance Parts LT1 Engine		PART NO. 19328729	SHEET 7 OF 33
ALL INFORMATION WITHIN ABOVE BORDER TO BE PRINTED EXACTLY AS SHOWN ON 8 1/2 x 11 WHITE 16 POUND BOND PAPER. PRINT ON BOTH SIDES, EXCLUDING TEMPLATES. TO BE UNITIZED IN ACCORDANCE WITH GM SPECIFICATIONS.	DATE	REVISION	AUTH
	03JN14	Initial Release - Rocko Parker	N/A

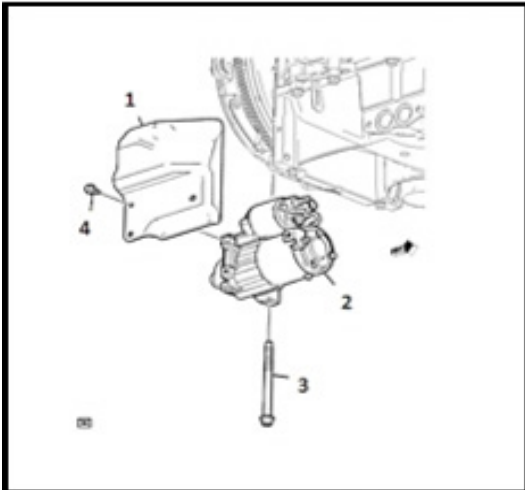


Starter Motor

A starter motor is not provided with the engine. The following parts are designed for the LT1 starting system (Figure 7).

<u>ITEM</u>	<u>DESCRIPTION</u>	<u>PART NUMBER</u>	<u>QUANTITY</u>
1	Shield-starter motor	12656132	1
2	Starter motor	12619241	1
3	Bolt-starter motor	11610787	2
4	Bolt-heat shield	11588711	3

Fig. 7

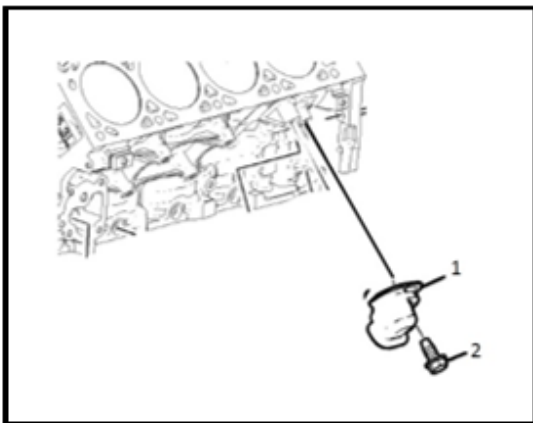


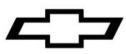
Knock Sensor Heat Shield

The production system uses a heat shield to protect the driver's side knock sensor. That is due to the close proximity of the exhaust manifold to the knock sensor. If required for your application, the parts are listed in (Figure 8).

<u>ITEM</u>	<u>DESCRIPTION</u>	<u>PART NUMBER</u>	<u>QUANTITY</u>
1	Shield-knock sensor	12640390	1
2	Bolt-heat shield	11519976	1

Fig. 8

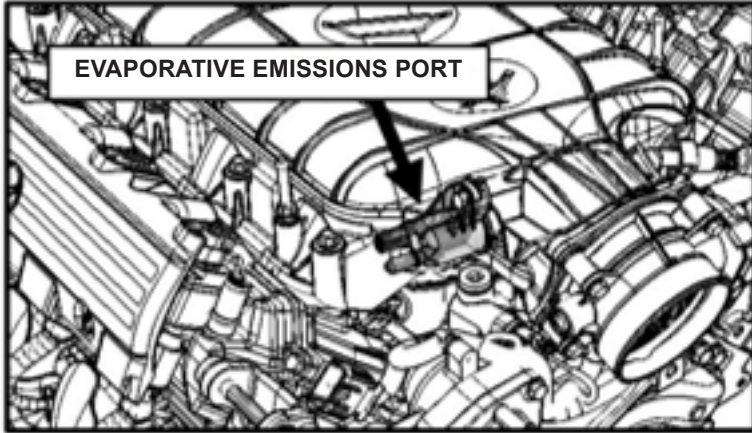




Evaporative Emissions Valve

The evaporative emissions system can be used with the Chevrolet Performance engine control kit, but is not required for proper engine operation. This port must be either plugged or connected to a vapor canister. (Figure 9).

Fig. 9



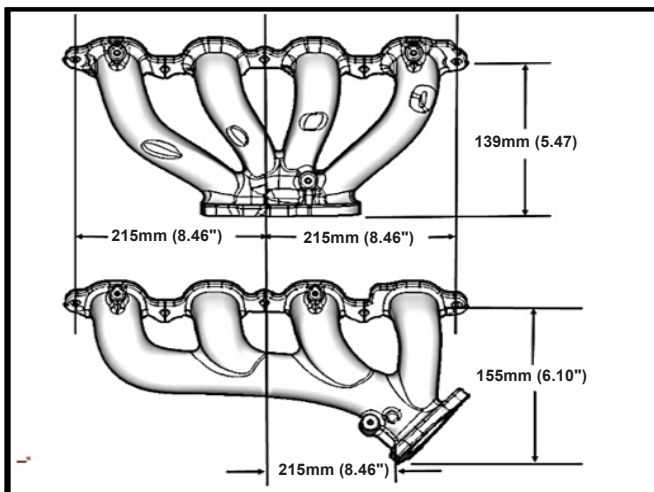
Exhaust Manifolds

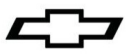
The as shipped exhaust manifolds may not fit your vehicle. One option is to use the truck style manifolds (Figure 10).

Driver's side shown. Passenger side similar.

<u>DESCRIPTION</u>	<u>PART NUMBER</u>	<u>QUANTITY</u>
Manifold-left	12629337	1
Heat shield-left	12629339	1
Manifold-right	12629338	1
Heat shield-right	12629340	1
Bolt-head shield	11562426	6

Fig. 10





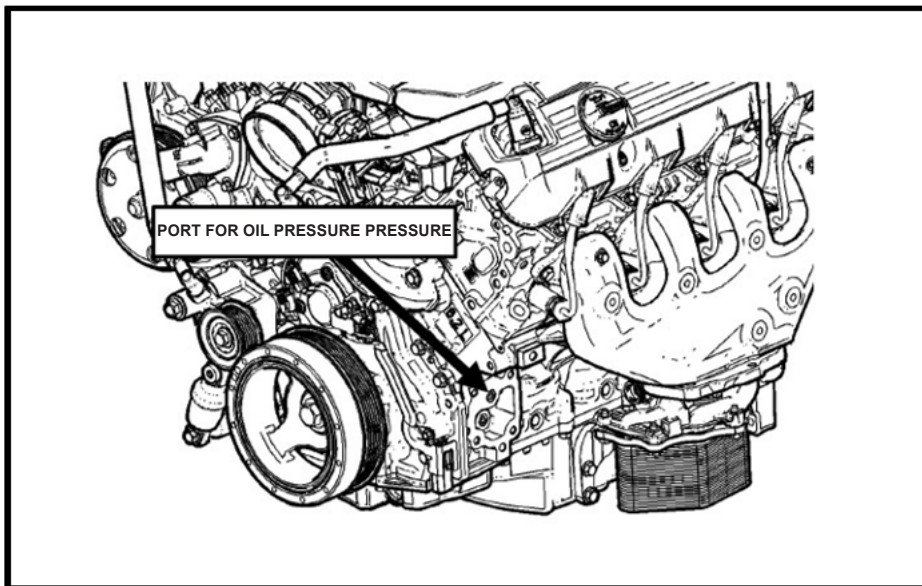
Start-up and Break-in Procedures

Use only engine oil licensed to the dexos1® specification of the proper SAE viscosity grade. AC Delco dexos1 Synthetic Blend is recommended. For track events or competitive driving, use Mobil 1® 15W-50 engine oil.

Safety first, if the vehicle is on the ground, be sure the park brake is set, the wheels are chocked and the car cannot fall into gear. Verify everything is installed properly and nothing was missed.

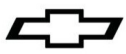
1. This engine assembly needs to be filled with oil. After installing the engine, ensure the crankcase has been filled with the appropriate motor oil to the recommended oil fill level on the dipstick. This crate engine require a special oil meeting dexos1. Also check and fill as required any other necessary fluids such as coolant, power steering fluid, etc.
2. The engine should be primed with oil before starting. Install an oil pressure gauge (there is a plugged port that can be used to mechanically measure oil pressure Figure 11) and disconnect the ignition control system (removing power from the ignition control module is generally recommended, but check your ignition control system information for additional details). Note: Removal of the spark plugs will allow the engine to spin faster and build oil pressure faster.
3. Once the ignition control system has been disconnected, crank the engine using the starter for 10 seconds and check for oil pressure. If no pressure is indicated, wait 30 seconds and crank again for 10 seconds.
4. Repeat this process until oil pressure is indicated on the gauge.
5. Reconnect the ignition control system. Start the engine and listen for any unusual noises. If no unusual noises are noted, run the engine at approximately 1000 RPM until normal operating temperature is reached.
6. When possible, you should always allow the engine to warm up prior to driving. It is a good practice to allow the oil sump and water temperature to reach 180°F before towing heavy loads or performing hard acceleration runs.
7. The engine should be driven at varying loads and conditions for the first 30 miles or one hour without wide open throttle (WOT) or sustained high RPM accelerations.
8. Run five or six medium throttle (50%) accelerations to about 4000 RPM and back to idle (0% throttle) in gear.
9. Run two or three hard throttle (WOT 100%) accelerations to about 4000 RPM and back to idle (0% throttle) in gear.
10. Change the oil and filter. Replace the oil per the specification in step 1, and replace the filter with a new PF64 AC Delco oil filter. Inspect the oil and the oil filter for any foreign particles to ensure that the engine is functioning properly.
11. Drive the next 500 miles (12 to 15 engine hours) under normal conditions. Do not run the engine at its maximum rated engine speed. Also, do not expose the engine to extended periods of high load.
12. Change the oil and filter. Again, inspect the oil and oil filter for any foreign particles to ensure that the engine is functioning properly.

Fig. 11



TITLE Performance Parts LT1 Engine	PART NO. 19328729	SHEET 10 OF 33
---	--------------------------	-----------------------

ALL INFORMATION WITHIN ABOVE BORDER TO BE PRINTED EXACTLY AS SHOWN ON 8 1/2 x 11 WHITE 16 POUND BOND PAPER. PRINT ON BOTH SIDES, EXCLUDING TEMPLATES. TO BE UNITIZED IN ACCORDANCE WITH GM SPECIFICATIONS.	DATE	REVISION	AUTH
	03JN14	Initial Release - Rocko Parker	N/A



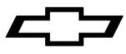
LT1 Engine Specifications:

Type: Gen V Small Block V8
 Displacement:..... 376 cubic inches (6.2 liters)
 Bore x Stroke:..... 4.065" (103.25 mm) X 3.622" (92 mm)
 Compression: 11.5:1
 Block:..... Cast aluminum, six bolt cross-bolted main caps
 Cylinder Head:..... Cast aluminum rectangle port
 Valve Diameter (Intake/Exhaust):..... 2.13"/1.59" (54mm/40.4mm)
 Chamber Volume:..... 59cc
 Crankshaft: Forged steel, internally balanced
 Connecting Rods:..... Forged powdered metal
 Pistons:..... Hypereutectic aluminum
 Camshaft: Hydraulic roller tappet
 Lift: 0.551" intake, 0.524" exhaust
 Duration:..... 200° intake, 207° exhaust @.050" tappet lift
 Centerline: 116.5° LSA
 Rocker Arm Ratio: 1.81:1
 Oil Capacity with filter:..... 7.0-quart (6.6 liters)
 Oil Pressure (Minimum, with hot oil):..... 6 psig @ 1000 RPM
 18 psig @ 2000 RPM
 24 psig @ 4000 RPM
 Recommended Oil:..... DEXOS1 5W30 or Mobil1 15W-50
 Oil Filter: AC Delco part # PF64
 Fuel: Premium unleaded-92 (R+M/2)
 Maximum Engine Speed: 6600 RPM
 Spark Plugs: Chevrolet 12622441
 AC Delco # 41-114
 Spark Plug Gap:..... 0.037–0.043" (0.95–1.10 mm)
 Firing Order: 1-8-7-2-6-5-4-3

Information may vary with application. All specifications listed are based on the latest production information available at the time of printing.

TITLE Performance Parts LT1 Engine	PART NO. 19328729	SHEET 11 OF 33
---	--------------------------	------------------------------

ALL INFORMATION WITHIN ABOVE BORDER TO BE PRINTED EXACTLY AS SHOWN ON 8 1/2 x 11 WHITE 16 POUND BOND PAPER. PRINT ON BOTH SIDES, EXCLUDING TEMPLATES. TO BE UNITIZED IN ACCORDANCE WITH GM SPECIFICATIONS.	DATE	REVISION	AUTH
	03JN14	Initial Release - Rocko Parker	N/A



Nous vous remercions d'avoir choisi Chevrolet Performance Parts comme source de haute performance. Chevrolet Performance Parts s'est engagée à offrir une technologie de rendement éprouvée et novatrice qui est réellement... beaucoup plus que de la puissance. Les pièces de Chevrolet Performance Parts ont été conçues, élaborées et mises à l'essai de manière à dépasser vos attentes de réglage précis et de fonction. Veuillez vous reporter à notre catalogue pour connaître le centre Chevrolet Performance Parts autorisé le plus près de chez vous ou visitez notre site Web à www.chevroletperformance.com.

La présente publication offre de l'information d'ordre général sur les composants et les procédures pouvant s'avérer utile lors de l'installation ou de l'entretien du moteur en caisse. Veuillez lire en entier la présente publication avant de commencer à travailler.

L'assemblage de ce moteur en caisse est effectué en utilisant des composants neufs de première qualité. Il est basé sur l'architecture de série LT1 de 5e génération de Chevrolet et utilise des technologies de pointe, comme la bobine d'allumage individuelle par cylindre et l'injection de carburant direct. Compte tenu de la vaste gamme d'applications de moteurs à bloc compact, si l'on pose en après-vente une application antérieure à bloc compact, il se peut que l'on constate des différences de pose entre le moteur en caisse actuel et la version précédente. Ces différences peuvent nécessiter des modifications ou des composants supplémentaires qui ne sont pas compris avec le moteur, y compris les systèmes de refroidissement, électrique et d'échappement, ainsi que le circuit d'alimentation. Il se peut qu'une certaine fabrication soit requise.

Le moteur en caisse LT1 nécessite un système de commande de moteur offert par les concessionnaires Chevrolet Performance Parts. Vérifier auprès de votre concessionnaire ou sur le site Web www.chevroletperformance.com pour connaître les groupes de systèmes de commande actuellement offerts.

Ces caractéristiques techniques ne sont pas destinées à remplacer les pratiques d'entretien complètes et détaillées expliquées dans les manuels d'entretien Chevrolet. Pour obtenir de l'information sur l'étendue de la garantie, prière de communiquer avec le concessionnaire Chevrolet Performance Parts local.

Observer toutes les précautions et tous les avertissements en matière de sécurité présentés dans les manuels de réparation au moment de poser un moteur en caisse dans n'importe quel véhicule. Porter un protecteur pour la vue et des vêtements de protection appropriés. Lorsqu'on travaille sous un véhicule ou autour de celui-ci, le soutenir solidement à l'aide de chandelles. Utiliser seulement les outils appropriés. Faire preuve d'extrême prudence lorsqu'on travaille avec des liquides ou des matériaux inflammables, corrosifs ou dangereux. Certaines procédures nécessitent l'utilisation d'un équipement spécial et des habiletés particulières. Si vous ne possédez pas la formation, l'expertise et les outils nécessaires pour effectuer toute partie de cette conversion en toute sécurité, ce travail devrait être réalisé par un professionnel.

La présente publication a pour objet d'offrir des renseignements sur le moteur en caisse et les composants connexes. Ce guide décrit également les procédures et les modifications pouvant s'avérer utiles lors de l'installation d'un moteur en caisse LT1. Ces renseignements ne sont pas destinés à remplacer les manuels de réparation complets et les catalogues de pièces en matière de moteurs et de composants de Chevrolet Performance. Plutôt, ce guide a été conçu pour offrir des renseignements supplémentaires sur les matières pouvant intéresser les « bricoleurs » et les mécaniciens. Cette publication s'applique aux moteurs et aux véhicules qui sont utilisés hors des voies publiques, sauf indication contraire expresse.

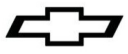
Information juridique et relative aux émissions

Les règlements fédéraux restreignent la dépose des véhicules automobiles de toute partie d'un système antipollution exigé par la loi fédérale. En outre, de nombreux États ont établi des lois qui interdisent le trafiquage ou la modification de tout système antipollution ou antibruit exigé par la loi. En règle générale, les véhicules qui ne roulent pas sur les voies publiques, tout comme certains véhicules d'intérêt spécial et pré-émissions, sont exempts de la plupart de la réglementation. On suggère fortement au lecteur de consulter tous les règlements municipaux et provinciaux applicables. Plusieurs des pièces qui sont décrites ou énumérées dans le présent ouvrage sont commercialisées à des fins hors autoroute seulement et elles portent l'étiquette « Special Parts Notice » (avis sur les pièces spéciales) qui est reproduite ici.

Avis spécial sur les pièces

Cette pièce a été conçue spécifiquement pour une application hors route seulement. Puisque la pose de cette pièce pourrait nuire au rendement antipollution du véhicule ou donner lieu à son manque d'homologation en vertu des normes de sécurité actuelles des véhicules automobiles, celle-ci ne doit pas être posée dans un véhicule qui sera utilisé sur une voie publique ou une autoroute. En outre, une telle application pourrait donner lieu à l'annulation de la garantie d'un tel véhicule sur route ou autoroute.

TITLE	Performance Parts LT1 Engine	PART NO.	19328729	SHEET	12 OF 33
ALL INFORMATION WITHIN ABOVE BORDER TO BE PRINTED EXACTLY AS SHOWN ON 8 1/2 x 11 WHITE 16 POUND BOND PAPER. PRINT ON BOTH SIDES, EXCLUDING TEMPLATES.		DATE	REVISION		AUTH
TO BE UNITIZED IN ACCORDANCE WITH GM SPECIFICATIONS.		03JN14	Initial Release - Rocko Parker		N/A



Contenu de la trousse

<u>Désignation</u>	<u>Quantité</u>
Moteur	1
Bouchon de remplissage d'huile (carter humide seulement)	1
Feuilles de directives	1

Désactivation de cylindre - Non utilisé avec la trousse de commande de moteur Chevrolet Performance

Ce moteur est utilisé dans la Corvette de 7e génération. Afin d'offrir une économie de carburant maximale dans des conditions de conduite à charge légère, le module de commande du moteur (ECM) commande l'activation du système de désactivation de cylindres afin de désactiver les cylindres 1, 7, 6 et 4 pour passer en mode V4. Le moteur fonctionne avec 8 cylindres, ou en mode V8, au démarrage, au ralenti et lors d'accélération moyennes à agressives. Ce système requiert le bon fonctionnement de plusieurs entrées (poids du véhicule, dimension des pneus, rapport de pont, etc.). Ces paramètres ne sont pas connus lors de la vente de la trousse de contrôleur de moteur Chevrolet Performance. En raison de ces paramètres inconnus, ainsi que de la nécessité de mettre au point les supports de moteur et le système d'échappement pour un fonctionnement en mode V8 est en mode V4. La trousse de commande de moteur Chevrolet Performance désactive cette fonction. Le moteur n'a pas été modifié, la quincaillerie de désactivation de cylindres est donc toujours présente.

Système d'allumage

Le GEN-V est doté d'un encodeur de position de vilebrequin 58X avancé qui garantit un calage de l'allumage précis dans l'ensemble de la plage de fonctionnement. La couronne de vilebrequin 58X et le capteur fournissent des renseignements précis et immédiats sur la position du vilebrequin pendant la rotation. Cela permet à l'ECM de régler le calage de l'allumage avec une plus grande précision, ce qui optimisent le rendement et l'économie de carburant. Le démarrage du moteur est également plus constant dans toutes les conditions de fonctionnement.

Conjointement avec le calage de distribution du vilebrequin 58X, le Gen-V utilise la plus récente technologie de calage de distribution d'arbre à cames. Le capteur d'arbre à cames est situé dans le couvercle avant du moteur et détecte une cible de capteur 4X sur le rotor de mise en phase de l'arbre à cames, qui est fixé sur l'extrémité avant de l'arbre à cames. La couronne cible est dotée de quatre segments à intervalles réguliers qui transmettent la position de l'arbre à cames plus rapidement et plus précisément que les systèmes précédents à un seul segment.

La mesure double 58X/4X garantit un calage de la distribution extrêmement précis pour toute la durée de vie du moteur. De plus, il constitue un système d'appoint efficace en cas de défaillance d'un des capteurs.

Capteur d'humidité d'admission d'air : Cette nouvelle caractéristique garantit une efficacité optimale de la combustion, peu importe l'humidité de l'air environnant.

Allumage bobine sur bougie : L'allumage bobine sur bougie individuelle du Gen-V est constitué de bobines avancées compactes et fixées sur le cache-culbuteurs, mais positionnées différemment que sur le moteur Gen-IV. Une bobine individuelle pour chaque bougie d'allumage fournit la tension maximale et une densité d'étincelle constante, sans variation entre les cylindres.

Bougies d'allumage à pointe en iridium : Les bougies sont dotées d'une électrode en iridium et d'une âme en iridium dans le conducteur, ce qui offre une résistance interne plus élevée tout en maintenant une densité d'étincelle optimale tout au long de leur durée de vie. La conception de l'électrode améliore l'efficacité de la combustion.

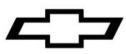
Circuit d'alimentation en carburant

Basse pression (réservoir de carburant à moteur)

Le système de production fonctionne avec un débit variable antiretour/système de pression intégré à la trousse de commande de moteur Chevrolet Performance. Le circuit d'alimentation en carburant antiretour réduit la température interne du réservoir de carburant en régulant la vitesse de la pompe à carburant et en empêchant le retour de carburant chaud dans le réservoir de carburant provenant du moteur. En cas d'utilisation de la trousse de commande de moteur Chevrolet Performance, il faut utiliser une pompe à carburant à modulation en durée d'impulsions qui fournit 500 kPa (72 psi) à 45 gallons par heure. Si le système de commande du moteur Chevrolet Performance n'est pas utilisé, il faut alors utiliser une pompe à carburant et un régulateur qui fournit 500 kPa (72 psi) à un débit de 45 gallons par heure.

TITLE Performance Parts LT1 Engine	PART NO. 19328729	SHEET 13 OF 33
---	--------------------------	------------------------------

ALL INFORMATION WITHIN ABOVE BORDER TO BE PRINTED EXACTLY AS SHOWN ON 8 1/2 x 11 WHITE 16 POUND BOND PAPER. PRINT ON BOTH SIDES, EXCLUDING TEMPLATES. TO BE UNITIZED IN ACCORDANCE WITH GM SPECIFICATIONS.	DATE	REVISION	AUTH
	03JN14	Initial Release - Rocko Parker	N/A



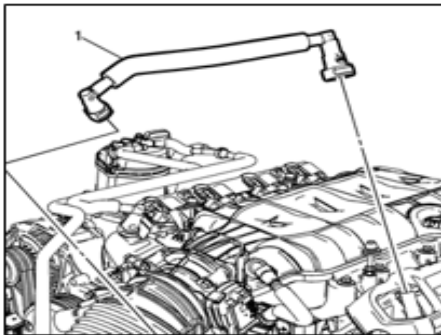
Haute pression (sur le moteur)

La haute pression nécessaire à l'injection directe est fournie par la pompe à carburant haute pression. La pompe à carburant haute pression est fixée à l'arrière du moteur sous la tubulure d'admission et entraînée par une came à trois bossages sur l'arbre à cames. Cette pompe à carburant haute pression régule également la pression de carburant avec un actionneur de type soupape commandée par solénoïde interne, qui est à son tour commandé par l'ECM.

Système de recyclage des gaz de carter (RGC)

Un système de ventilation de carter de moteur fermé est utilisé afin de permettre une évacuation des vapeurs de carter de moteur plus complète. De l'air frais provenant du système de filtration d'air (filtre à air) est alimenté au carter et mélangé aux gaz de carter, puis circule dans une vanne de ventilation de carter jusque dans la tubulure d'admission. Il y a deux orifices, un par couvre-culasse, qui doivent être raccordés au système de filtration d'air du moteur (filtre à air). Ces orifices doivent être raccordés entre le débitmètre d'air massique (MAF) et le corps de papillon du moteur. L'air du système RGC doit être mesuré par le débitmètre MAF pour assurer le bon fonctionnement du moteur. On peut acheter le flexible RGC 12645127 pour obtenir le raccord rapide en cas d'installation sur mesure (article 1 dans la figure 1).

Fig. 1



Distribution de l'arbre à cames variable

Ce moteur a la capacité de varier la position de l'arbre à cames par rapport à la position du piston. Si vous choisissez d'utiliser la trousse de contrôleur de moteur Chevrolet Performance, ce système fait alors varier la distribution de l'arbre à cames pour améliorer les émissions et l'économie de carburant, tout en produisant une grande puissance.

Au ralenti, par exemple, l'arbre à cames est en position complètement avancée, ce qui produit un ralenti extrêmement doux. Dans ces conditions, le dispositif de mise en phase assure un réglage de façon à fournir un calage de distribution optimal pour la performance, la conduite et l'économie de carburant. À régime élevé, il peut retarder la distribution afin de maximiser le débit d'air dans l'ensemble du moteur et augmenter la puissance du moteur. À faible régime, il peut avancer la distribution pour augmenter le couple. Dans des conditions de charge légère, il peut retarder la distribution à tous les régimes moteurs afin d'améliorer l'économie de carburant.

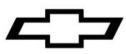
Un dispositif de mise en phase de type vanne est posé à l'avant de l'arbre à cames afin de changer son orientation angulaire par rapport au pignon, ce qui permet de régler le calage de distribution sur le champ. Il s'agit d'un système de phasage d'arbre à cames double et égale qui ajuste le calage de distribution de l'arbre à cames à la même vitesse pour les soupapes d'admission et les soupapes d'échappement. Le système permet de produire un couple de façon linéaire, avec des niveaux près des sommets sur une large plage de régimes et une puissance précise élevée (puissance par litre de cylindrée) sans sacrifier la réponse globale du moteur ou la conduite. Il procure également un autre outil efficace de régulation des émissions d'échappement.

Pompe à huile moteur - Circuit de graissage à carter humide

Le graissage du moteur est assuré par un ensemble pompe à huile de type vanne à deux étages à cylindrée variable. Une électrovanne régulatrice d'huile, commandée par l'ECM et fixée à la pompe à huile, procure un fonctionnement à deux étages. La pompe à huile est montée à l'avant du bloc-moteur et fonctionne par entraînement direct du pignon de vilebrequin. Le rotor et les aubes de la pompe tournent et aspirent l'huile depuis le carter d'huile à travers une crépine et un tuyau. L'huile est mise sous pression lorsqu'elle traverse la pompe, puis est envoyée dans les canalisations d'huile du bloc-moteur. La pompe à huile à débit/pression variable doit être commandée par l'ECM afin de maintenir le graissage approprié et de réduire l'alimentation en huile excessive jusqu'aux culasses et au système RGC. De nombreux dispositifs du moteur LT1 utilisent la pression d'huile pour maintenir un bon fonctionnement. L'ECM régule la pression d'huile moteur et le débit de refroidissement de piston par pulvérisation d'huile, le calage de distribution variable, la désactivation de cylindres ainsi que le refroidissement de paliers d'arbre à cames et de vilebrequin. Le mode par défaut de la pompe à huile est débit élevé et pression élevée. Cela peut mener à une consommation d'huile excessive par le système de recyclage des gaz de Carter (RGC).

TITLE	Performance Parts LT1 Engine	PART NO.	19328729	SHEET	14 OF 33
-------	-------------------------------------	----------	-----------------	-------	------------------------

ALL INFORMATION WITHIN ABOVE BORDER TO BE PRINTED EXACTLY AS SHOWN ON 8 1/2 x 11 WHITE 16 POUND BOND PAPER. PRINT ON BOTH SIDES, EXCLUDING TEMPLATES. TO BE UNITIZED IN ACCORDANCE WITH GM SPECIFICATIONS.	DATE	REVISION	AUTH
	03JN14	Initial Release - Rocko Parker	N/A



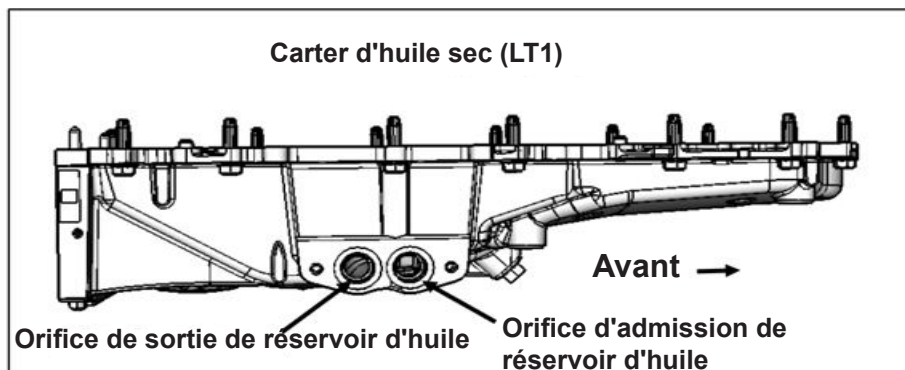
Carter d'huile moteur - Circuit de graissage à carter sec

Le moteur est lubrifié avec un ensemble pompe à deux étages. L'ensemble pompe à huile est constitué d'une pompe à cylindrée variable à aubes principale et d'une pompe type gérotor secondaire. La pompe principale contient un détendeur qui protège le filtre à huile monté dans le carter d'huile contre toute surpression lors d'un démarrage à froid du moteur. Si la pression du système excède 600 kPa (87 psi), le détendeur s'ouvre et renvoie l'huile dans le carter d'huile. Le jeu de roues dentées avant est celui de la pompe secondaire. Le boîtier arrière ou le plus à l'arrière contient la pompe principale. L'ensemble pompe est monté à l'avant du moteur et fonctionne par entraînement direct du pignon de vilebrequin. Les aubes de la pompe principale tournent dans le sens horaire et aspirent l'huile du réservoir d'huile moteur à travers la crépine du réservoir d'huile. L'huile est mise sous pression lorsqu'elle traverse la pompe principale, puis est envoyée dans les canalisations d'huile inférieures du bloc-moteur.

L'huile sous pression circule dans les canalisations d'huile inférieures du bloc-moteur jusqu'au filtre à huile plein débit où sont piégés les contaminants dommageables. Une vanne de dérivation est intégrée dans le filtre à huile afin de permettre à l'huile de circuler en cas d'obstruction du filtre.

L'huile quitte le filtre puis circule jusqu'au refroidisseur d'huile externe. Le refroidisseur d'huile externe est un refroidisseur d'huile liquide à liquide (liquide de refroidissement du moteur à huile) et comprend un faisceau monté dans le carter d'huile et des conduites de liquide de refroidissement qui raccordent le refroidisseur d'huile au circuit de refroidissement du moteur. Une vanne de dérivation est intégrée dans l'ensemble refroidisseur d'huile en cas d'obstruction de la circulation d'huile dans le refroidisseur. L'huile quitte le refroidisseur d'huile puis circule jusqu'aux canalisations d'huile principales supérieures.

L'orifice d'admission de réservoir d'huile est utilisé pour fournir l'huile récupéré du moteur au réservoir de stockage. L'orifice de sortie du réservoir d'huile est utilisé pour fournir l'huile non ventilé du réservoir de stockage au moteur. La trousse d'adaptateur d'huile (numéro de pièce 25534412) de Chevrolet Performance parts peut être utilisée pour réaliser une conversion aux raccords AN-12.



Lors d'une vidange d'huile moteur, le carter d'huile contient deux bouchons de vidange d'huile. Un bouchon assure la vidange du carter d'huile et l'autre bouchon assure la vidange du réservoir de stockage.

Refroidissement du groupe motopropulseur

Type de liquide de refroidissement

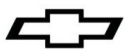
Mélange 40/60 d'eau propre potable et de liquide refroidisseur DEX-COOL® seulement.

Circuit de refroidissement du moteur

Un réservoir d'expansion est recommandé pour éliminer l'air du liquide de refroidissement du moteur, mais tant et aussi longtemps que le radiateur ou le réservoir d'expansion est le point le plus élevé du circuit, l'évacuation de l'air du liquide de refroidissement est assuré. Un point plus élevé signifie que le radiateur ou le réservoir d'expansion présente une section plus élevée que la partie supérieure des culasses. Si ce n'est pas le cas, il est alors possible que l'air emprisonné dans les culasses cause une surchauffe de certaines parties des culasses, ce qui aurait une incidence négative sur le rendement et la longévité du moteur.

Le liquide de refroidissement est aspiré par la sortie du radiateur jusque dans l'admission de la pompe à eau par la pompe à eau. Une partie du liquide de refroidissement est alors pompée depuis la pompe à eau, jusqu'au radiateur de chauffage, puis de retour à la pompe à eau. Ceci permet de chauffer l'habitacle et de fournir le dégivrage.

TITLE	Performance Parts LT1 Engine	PART NO.	19328729	SHEET	15 OF 33
ALL INFORMATION WITHIN ABOVE BORDER TO BE PRINTED EXACTLY AS SHOWN ON 8 1/2 x 11 WHITE 16 POUND BOND PAPER. PRINT ON BOTH SIDES, EXCLUDING TEMPLATES. TO BE UNITIZED IN ACCORDANCE WITH GM SPECIFICATIONS.		DATE	REVISION		AUTH
		03JN14	Initial Release - Rocko Parker		N/A

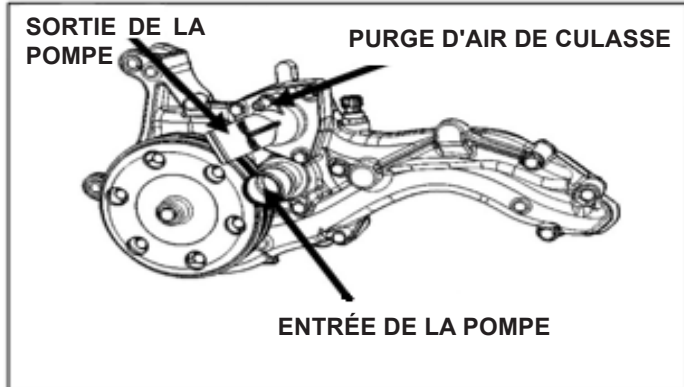


Le liquide de refroidissement est également pompé par la sortie de la pompe à eau jusque dans le bloc-moteur. Dans le bloc-moteur, le liquide de refroidissement circule dans les chemises d'eau entourant les cylindres pour absorber la chaleur.

Le liquide de refroidissement du moteur est alors poussé dans les ouvertures du joint de culasse, puis dans les culasses. Dans les culasses, le liquide de refroidissement circule dans les chemises d'eau entourant les chambres de composition et les sièges de soupape, dans lesquels il absorbe la chaleur supplémentaire.

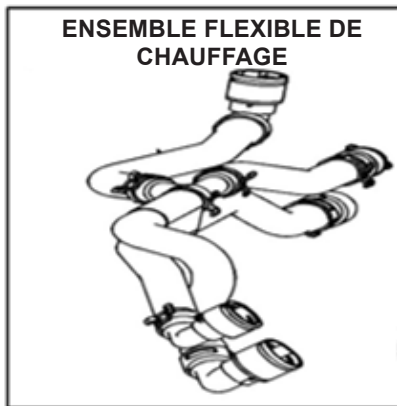
À partir des culasses, le liquide de refroidissement est poussé jusqu'au thermostat. Le débit de liquide de refroidissement est alors interrompu au thermostat jusqu'à ce que le moteur soit réchauffé ou il circule par le thermostat jusque dans le radiateur où il sera refroidi, ce qui complète le cycle du liquide de refroidissement.

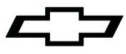
La purge d'air de culasse doit être acheminée au point le plus élevé du circuit de refroidissement. Ceci aide à éliminer l'air des culasses (figure 2).



On peut acheter le flexible 22768503 pour obtenir les raccords rapides de sortie et d'admission du système de chauffage en cas d'installation sur mesure (figure 3).

Fig. 3



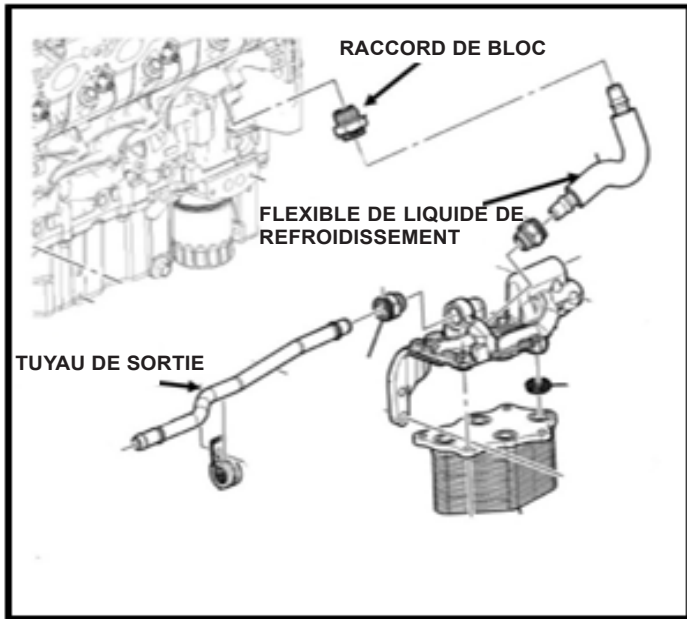


Refroidissement d'huile moteur

Le moteur est livré équipé d'un refroidisseur d'huile moteur liquide à liquide. L'huile moteur est pompé par le refroidisseur et le liquide de refroidissement du moteur est pompé par le refroidisseur afin de transférer la chaleur de l'huile moteur au liquide de refroidissement du moteur. Le liquide de refroidissement du moteur doit circuler par la portion inférieure de radiateur ou par le flexible d'admission de la pompe à liquide de refroidissement. La chaleur est ensuite éliminée par le radiateur du moteur. Selon l'installation, il est possible d'utiliser ou de retirer le refroidisseur d'huile moteur. Si on utilise un échangeur de chaleur, les pièces suivantes peuvent être utilisées lors de l'installation (figure 4).

<u>DESCRIPTION</u>	<u>NUMÉRO DE PIÈCE</u>	<u>QUANTITÉ</u>
Flexible-refroidisseur de moteur	22768504	1
Raccord-flexible de bloc	22876452	1
Tuyau-sorti de refroidisseur	22768508	1

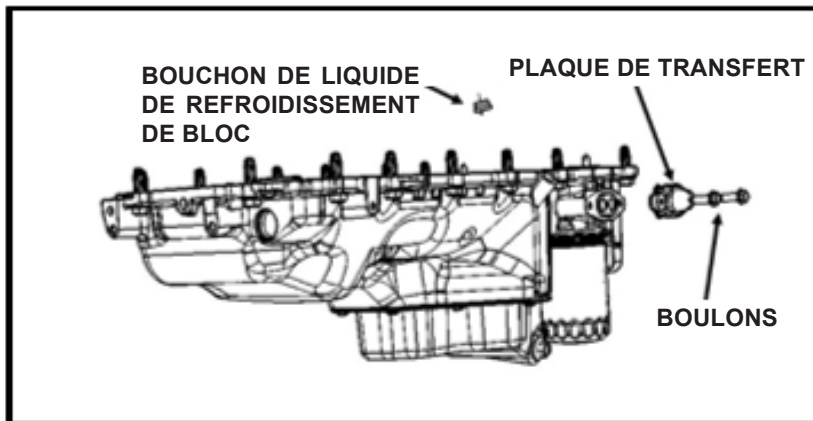
Fig. 4

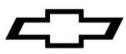


Si le refroidisseur n'est pas utilisé, on peut alors utiliser les pièces suivantes (figure 5).

<u>DESCRIPTION</u>	<u>NUMÉRO DE PIÈCE</u>	<u>QUANTITÉ</u>
Bouchon-liquide de refroidissement de bloc	11611351	1
Plaque-transfert d'huile	12633987	1
Boulon-plaque d'huile	11562426	2

Fig. 5





Le moteur LT1 Gen-V est doté du refroidissement de piston par pulvérisation d'huile, dans lequel huit gicleurs d'huile dans le bloc-moteur inondent le dessous de chaque piston et la périphérie des parois de cylindre avec une couche supplémentaire d'huile de refroidissement et de réduction de frottement. La pulvérisation d'huile réduit la température des pistons, ce qui favorise une puissance extrême et une longévité durable. La couche supplémentaire d'huile sur les parois de cylindres et les axes de piston amortit également le bruit produit par les pistons.

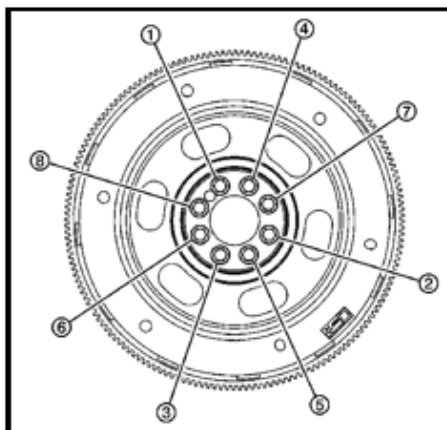
Tôle d'entraînement

La tôle d'entraînement fournie est conçue pour une boîte de vitesses arrière. Chevrolet Performance parts offre une tôle d'entraînement standard (numéro de pièce 12620099) qui peut être utilisée (vérifier le cercle de boulonnage du convertisseur de couple). Cette tôle d'entraînement est munie de six trous de fixation espacés uniformément (60 degrés d'écart) sur un espacement de diamètre de 281 mm (11,063 po) pour le convertisseur de couple.

REMARQUE : La tôle d'entraînement n'utilise pas de goupille de positionnement pour l'alignement et ne s'appuie pas initialement contre la bride du vilebrequin, mais sera tirée sur le vilebrequin par les boulons de la tôle d'entraînement du moteur. Cette procédure requiert une méthode de serrage en trois étapes.

1. Poser la tôle d'entraînement sur le vilebrequin (figure 6).
2. Appliquer de l'adhésif frein-filets sur les filets des boulons de la tôle d'entraînement.
3. Poser les boulons de la tôle d'entraînement du moteur.
4. Serrer les boulons (1-8) de tôle d'entraînement du moteur une première passe dans l'ordre à 15 Nm (11 lb pi).
5. Serrer les boulons (1-8) de tôle d'entraînement du moteur une deuxième passe dans l'ordre à 30 Nm (22 lb pi).
6. Serrer les boulons (1-8) de tôle d'entraînement du moteur une passe finale dans l'ordre de 30 degrés supplémentaires.

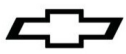
Fig. 6



Roulement-guide

On doit installer un roulement-guide derrière le vilebrequin si l'on prévoit utiliser le moteur conjointement avec une boîte manuelle. Le roulement-guide aligne l'arbre primaire de la boîte de vitesses avec l'axe central du vilebrequin. Un roulement-guide usé ou désaligné peut provoquer des anomalies de changement de vitesse et une usure rapide de l'embrayage. Il existe deux roulements-guides Chevrolet différents pour le moteur LT1. Le roulement 14061685 pour une boîte de vitesses à long arbre d'entrée et le roulement 12557583 pour une boîte de vitesses à arbre d'entrée court. Vérifier que la bonne pièce est utilisée avant de poser la boîte de vitesses pour éviter les dommages.

TITLE Performance Parts LT1 Engine		PART NO. 19328729	SHEET 18 OF 33
ALL INFORMATION WITHIN ABOVE BORDER TO BE PRINTED EXACTLY AS SHOWN ON 8 1/2 x 11 WHITE 16 POUND BOND PAPER. PRINT ON BOTH SIDES, EXCLUDING TEMPLATES. TO BE UNITIZED IN ACCORDANCE WITH GM SPECIFICATIONS.	DATE	REVISION	AUTH
	03JN14	Initial Release - Rocko Parker	N/A

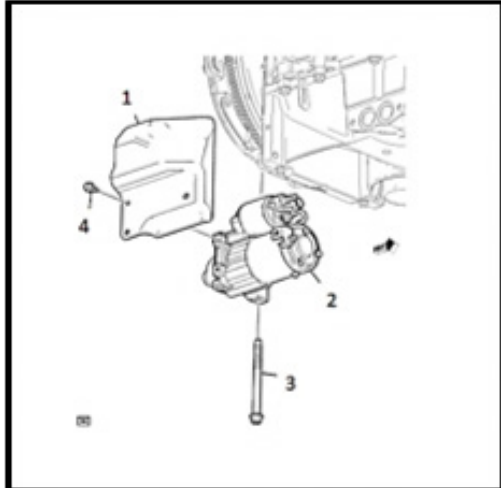


Moteur de démarreur

Aucun démarreur n'est fourni avec le moteur. Les pièces ci-dessous sont conçues pour le système de démarrage LT1 (figure 7).

<u>ARTICLE</u>	<u>DESCRIPTION</u>	<u>NUMÉRO DE PIÈCE</u>	<u>QUANTITÉ</u>
1	Bouclier-démarreur	12656132	1
2	Démarreur	12619241	1
3	Boulon-démarreur	11610787	2
4	Boulon-bouclier thermique	11588711	3

Fig. 7

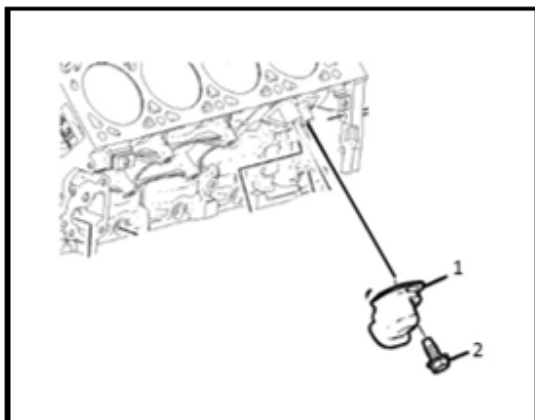


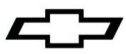
Bouclier thermique de capteur de cognement

Le système de production utilise un bouclier thermique pour protéger le capteur de cognement côté conducteur. Ceci est nécessaire en raison de la proximité de la tubulure d'échappement et du capteur de cognement. Si l'application le requiert, les pièces sont indiquées dans la (figure 8).

<u>ARTICLE</u>	<u>DESCRIPTION</u>	<u>NUMÉRO DE PIÈCE</u>	<u>QUANTITÉ</u>
1	Bouclier-capteur de cognement	12640390	1
2	Boulon-bouclier thermique	11519976	1

Fig. 8

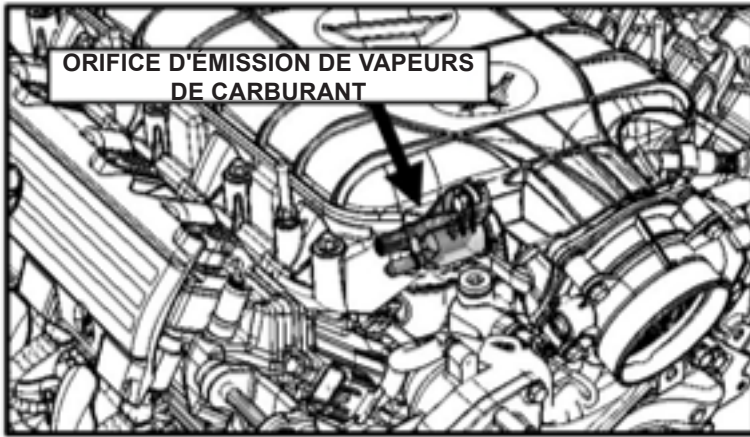




Soupape d'émission de vapeurs de carburant

Le système d'émission de vapeurs de carburant peut être utilisé avec la trousse de commande de moteur Chevrolet Performance, mais elle n'est pas nécessaire pour le bon fonctionnement du moteur. Cet orifice doit être bouché ou raccordé à l'absorbeur de vapeurs (figure 9).

Fig. 9



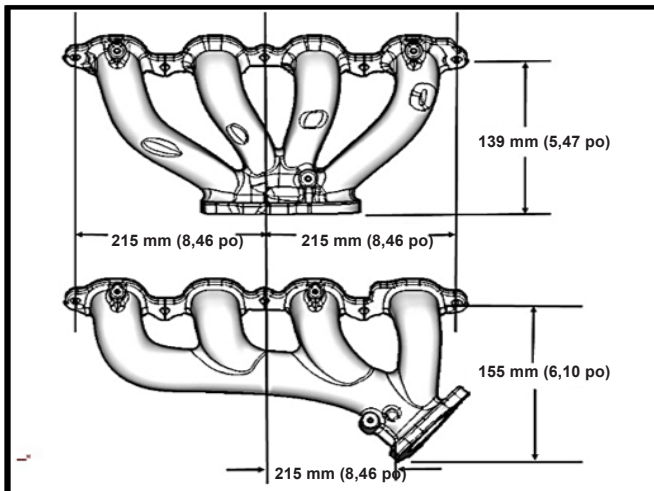
Tubulures d'échappement

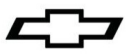
Les tubulures d'échappement telles qu'expédiées pourraient ne pas convenir à votre véhicule. Une des options possibles est d'utiliser les tubulures de type camion (figure 10).

Côté conducteur illustré. Côté passager similaire.

<u>DESCRIPTION</u>	<u>NUMÉRO DE PIÈCE</u>	<u>QUANTITÉ</u>
Tubulure-gauche	12629337	1
Bouclier thermique-gauche	12629339	1
Tubulure-droite	12629338	1
Bouclier thermique-droit	12629340	1
Boulon-bouclier thermique	11562426	6

Fig. 10





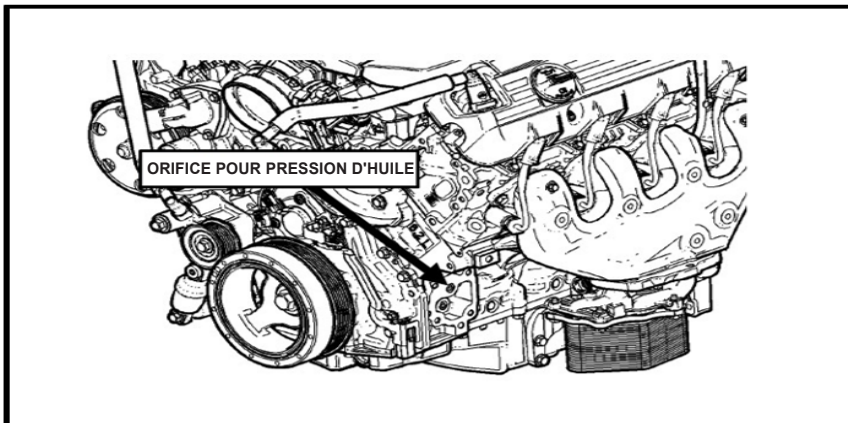
Procédures de démarrage et de rodage

Utiliser seulement de l'huile moteur homologuée dexos1®, ou le bon degré de viscosité SAE. Le mélange synthétique AC Delco dexos1 est préconisé. Pour la conduite sur piste ou la compétition, utiliser le moteur Mobil 1® 15W-50.

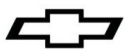
La sécurité d'abord. Si le véhicule est sur le sol, s'assurer que le frein de stationnement est engagé, que les roues sont calées et que le véhicule ne peut s'engager dans un rapport. Vérifier si tout est installé adéquatement et que rien ne manque.

1. Ce moteur doit être rempli d'huile. Après avoir posé le moteur, s'assurer que le carter de vilebrequin a été rempli avec l'huile moteur appropriée jusqu'au niveau de remplissage d'huile recommandé sur la jauge graduée. Ce moteur en caisse exige une huile spéciale conforme à la norme dexos1. Vérifier le niveau de tous les autres liquides et remplir au besoin, comme le liquide de refroidissement, le liquide de direction assistée, etc.
2. Le moteur doit être amorcé d'huile préalablement au démarrage. Poser un manomètre d'huile (il y a un orifice bouché qui peut être utilisé pour mesurer mécaniquement la pression d'huile, figure 11) et débrancher le système de commande d'allumage (il est généralement recommandé de couper l'alimentation du module de commande d'allumage, mais consulter les renseignements sur le système de commande d'allumage pour obtenir des renseignements supplémentaires).
Remarque : La dépose des bougies d'allumage permet au moteur de tourner plus rapidement et d'accumuler une pression d'huile plus rapidement.
3. Une fois que le système de commande d'allumage a été débranché, démarrer le moteur en utilisant le démarreur pendant 10 secondes et vérifier la pression d'huile. Si aucune pression n'est indiquée, attendre 30 secondes et essayer de démarrer encore pendant 10 secondes.
4. Répéter ce processus jusqu'à ce que la pression d'huile soit indiquée sur la jauge.
5. Rebrancher le système de commande d'allumage. Démarrer le moteur et écouter afin de déceler la présence de bruits inhabituels. Si aucun bruit inhabituel n'est remarqué, laisser tourner le moteur à environ 1 000 tours par minute jusqu'à ce qu'il atteigne sa température de fonctionnement normale.
6. Lorsque cela est possible, vous devriez toujours permettre au moteur de se réchauffer avant de conduire. Une bonne pratique est de permettre à la température du carter d'huile et de l'eau d'atteindre 180°F avant de tirer de lourdes charges ou de faire des courses à accélération brusque.
7. Le moteur devrait être entraîné à différentes charges et dans différentes conditions les 30 premiers milles ou pendant une heure sans être au régime maximal (WOT) ou sans subir d'accélération brusques du nombre de tours par minute.
8. Effectuer cinq ou six accélérations à gaz moyens (50 %) jusqu'à environ 4 000 tr/min puis retourner à la marche au ralenti (0 % des gaz) en prise.
9. Effectuer deux ou trois accélérations dures (pleins gaz à 100 %) jusqu'à environ 4 000 tr/min puis retourner à la marche au ralenti (0 % des gaz) en prise.
10. Vidanger l'huile et remplacer le filtre. Vidanger l'huile en suivant les caractéristiques techniques présentées à l'étape 1 et remplacer le filtre avec un nouveau filtre à huile PF64 AC Delco. Vérifier l'huile et le filtre à huile afin de repérer toute particule étrangère pour s'assurer que le moteur fonctionne correctement.
11. Conduire la prochaine distance de 500 milles (de 12 à 15 heures moteur) dans des conditions normales. Ne pas faire tourner le moteur à sa vitesse nominale maximale. De plus, ne pas exposer le moteur à des périodes prolongées de charge élevée.
12. Vidanger l'huile et remplacer le filtre. Vérifier l'huile et le filtre à huile de nouveau afin de repérer toute particule étrangère pour s'assurer que le moteur fonctionne correctement.

Fig. 11



TITLE Performance Parts LT1 Engine		PART NO. 19328729	SHEET 21 OF 33
ALL INFORMATION WITHIN ABOVE BORDER TO BE PRINTED EXACTLY AS SHOWN ON 8 1/2 x 11 WHITE 16 POUND BOND PAPER. PRINT ON BOTH SIDES, EXCLUDING TEMPLATES.	DATE 03JN14	REVISION Initial Release - Rocko Parker	AUTH N/A
TO BE UNITIZED IN ACCORDANCE WITH GM SPECIFICATIONS.			



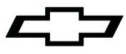
Caractéristiques techniques du moteur LT1 :

Type : V8 à bloc compact de 5e génération
 Cylindrée : 376 pouces cubes (6,2 litres)
 Alésage x course : 4,065 po (103,25 mm) X 3,622 po (92 mm)
 Compression : 11.5:1
 Bloc : Aluminium moulé, six boulons fixés latéralement aux chapeaux principaux
 Culasse : Aluminium moulé, orifice rectangulaire
 Diamètre de soupape (admission/échappement) : 2,13 po/1,59 po (54 mm/40,4 mm)
 Volume de la chambre : 59 cc
 Vilebrequin : acier forgé, équilibré par contrepoids
 Bielles : Forgées, métal fritté
 Pistons : Aluminium hypereutectique
 Arbre à cames : Poussoir à galet hydraulique
 Levée : Admission 0,551 po, échappement 0,524 po
 Durée : Admission 200°, échappement 207° à une levée de poussoir de 0,050 po
 Axe central : 116,5° LSA
 Rapport des culbuteurs : 1,81:1
 Capacité d'huile avec filtre : 7,0 pintes (6,6 litres)
 Pression d'huile (minimale, avec huile chaude) : 6 psig à 1 000 tr/min
 18 psig à 2 000 tr/min
 24 psig à 4 000 tr/min
 Huile recommandée : DEXOS1 5W30 ou Mobil1 15W-50
 Filtre à huile : N/P PF64 d'AC Delco
 Carburant : Super sans plomb-92 (R+M/2)
 Régime maximal du moteur : 6 600 tr/min
 Bougies d'allumage : Chevrolet 12622441
 AC Delco n° 41-114
 Écartement des électrodes 0,037 po à 0,043 po (0,95-1,10 mm)
 Ordre d'allumage : 1-8-7-2-6-5-4-3

L'information peut varier selon l'application. Toutes les caractéristiques techniques énumérées sont basées sur les plus récentes données de production disponibles à la date d'impression.

TITLE Performance Parts LT1 Engine	PART NO. 19328729	SHEET 22 OF 33
---	--------------------------	------------------------------

ALL INFORMATION WITHIN ABOVE BORDER TO BE PRINTED EXACTLY AS SHOWN ON 8 1/2 x 11 WHITE 16 POUND BOND PAPER. PRINT ON BOTH SIDES, EXCLUDING TEMPLATES. TO BE UNITIZED IN ACCORDANCE WITH GM SPECIFICATIONS.	DATE	REVISION	AUTH
	03JN14	Initial Release - Rocko Parker	N/A



Gracias por elegir Chevrolet Performance Parts como su fuente de alto desempeño. Chevrolet Performance Parts está comprometido a proporcionar tecnología de desempeño comprobada e innovadora que en realidad... sea más que sólo potencia. Chevrolet Performance Parts están diseñadas, desarrolladas y probadas para exceder sus expectativas de ajuste y función. Por favor consulte nuestro catálogo respecto al Centro Autorizado de Chevrolet Performance Parts más cercano a usted o visite nuestra página en Internet www.chevroletperformance.com.

Esta publicación brinda información general sobre los componentes y procedimientos que pudieran ser útiles al instalar o dar servicio a su motor armado. Por favor lea esta publicación completa antes de comenzar el trabajo.

Este motor armado se ensambla utilizando componentes nuevos de primera calidad. Se basa en la arquitectura serie LT1 Generación V de Chevrolet, y utiliza tecnologías modernas como bobina de ignición individual por cilindro e inyección directa de combustible. Debido a la amplia gama de aplicaciones de bloque pequeño, si usted está actualizando una aplicación anterior de bloque pequeño, puede encontrar diferencias de instalación entre su ensamble de motor armado y la versión anterior. Estas diferencias pueden requerir modificaciones o componentes adicionales no incluidos con el motor, incluyendo sistemas de enfriamiento, combustible, eléctricos y del escape. Se puede requerir trabajo de fabricación.

El motor armado LT1 requiere un sistema de control del motor que está disponible con su concesionario de Chevrolet Performance Parts. Consulte con su concesionario o en www.chevroletperformance.com respecto a los paquetes del sistema de control que están disponibles actualmente.

No se pretende que estas especificaciones reemplacen las prácticas de servicio completas y detalladas explicadas en los manuales de servicio de Chevrolet. Para información sobre cobertura de la garantía, por favor póngase en contacto con su concesionario local de Chevrolet Performance Parts.

Observe todas las precauciones de seguridad y advertencias de los manuales de servicio durante la instalación de un motor armado en cualquier vehículo. Utilice protección para los ojos y ropa de protección adecuada. Cuando trabaje debajo o alrededor del vehículo, apóyelo firmemente con soportes de gato. Sólo use las herramientas adecuadas. Tenga mucha precaución cuando trabaje con líquidos y materiales inflamables, corrosivos y peligrosos. Algunos procedimientos requieren equipo y habilidades especiales. Si no tiene la capacitación, experiencia, y herramientas apropiadas para realizar cualquier parte de esta conversión con seguridad, este trabajo debe ser realizado por un profesional.

Esta publicación ha sido diseñada para proporcionar información acerca de este motor armado y componentes relacionados. Este manual también describe procedimientos y modificaciones que pudieran ser útiles durante la instalación de un motor armado LT1. No está diseñada para sustituir a los exhaustivos manuales de servicio y catálogos de partes que cubren los motores y componentes Chevrolet Performance. Más bien, está diseñada para brindar información complementaria en áreas de interés para los entusiastas del "hágalo usted mismo" y los mecánicos. Esta publicación concierne a motores y vehículos que se utilizan fuera de las carreteras públicas, excepto cuando se indica específicamente lo contrario.

Información legal y sobre emisiones

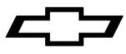
La ley federal restringe el retiro de cualquier parte de un sistema de control de emisiones requerido por orden federal de los vehículos de motor. Más aún, muchos estados han promulgado leyes que prohíben alterar o modificar cualquier sistema de control de emisiones o ruidos. Los vehículos que no son operados en carreteras públicas generalmente están exentos de la mayoría de las normas, al igual que algunos vehículos de interés especial y pre-emisiones. Se le exhorta atentamente al lector verificar todas las leyes locales y estatales aplicables. Muchas de las partes descritas o enlistadas en este manual se comercializan para su aplicación fuera de carretera, y están etiquetadas con el "Aviso sobre Partes Especiales" que se reproduce aquí:

Aviso sobre partes especiales

Esta parte ha sido diseñada específicamente para aplicación fuera de carretera únicamente. Debido que la instalación de esta parte puede afectar el desempeño del control de emisiones de su vehículo o dejarlo fuera de certificación según los Estándares de seguridad de vehículos de motor, no se debe instalar en un vehículo que se utilice en cualquier calle o carretera. Adicionalmente, cualquier aplicación tal puede afectar adversamente la cobertura de la garantía de tales vehículos para aplicación en calles o carreteras.

TITLE Performance Parts LT1 Engine	PART NO. 19328729	SHEET 23 OF 33
---	--------------------------	------------------------------

ALL INFORMATION WITHIN ABOVE BORDER TO BE PRINTED EXACTLY AS SHOWN ON 8 1/2 x 11 WHITE 16 POUND BOND PAPER. PRINT ON BOTH SIDES, EXCLUDING TEMPLATES. TO BE UNITIZED IN ACCORDANCE WITH GM SPECIFICATIONS.	DATE	REVISION	AUTH
	03JN14	Initial Release - Rocko Parker	N/A



Contenido del Juego

<u>Descripción</u>	<u>Cantidad</u>
Motor	1
Tapa de llenado de aceite (sólo aceite de cárter húmedo)	1
Hojas de instrucciones	1

Desactivación de cilindro - No se usa con juego de control de motor Chevrolet Performance

Este motor se usa en el Corvette Generación 7 En producción, para proporcionar economía máxima de combustible bajo condiciones de conducción de carga ligera, el módulo de control de motor (ECM) ordenará que el sistema de desactivación de cilindro se encienda para desactivar los cilindros de motor 1, 7, 6 y 4, cambiando a modo V4. El motor operará en 8 cilindros, o modo V8, durante el arranque del motor, marcha en vacío del motor, y aplicaciones de acelerador medio a completo. Este sistema requiere muchas entradas (peso del vehículo, tamaño de llanta, relación de transmisión final, etc.) para funcionar adecuadamente. Estos parámetros se desconocen cuando se vende el juego de controlador de motor Chevrolet Performance. Debido a estos parámetros desconocidos así como la necesidad de afinar los montajes del motor y el sistema de escapa para operación en modos tanto V8 como V4. El juego de control de motor Chevrolet Performance desactiva esta función. El motor no se ha cambiado, así que el hardware de desactivación de cilindro todavía está presente.

Sistema de ignición

La generación V tiene un codificador de posición de árbol de levas 58X avanzado para asegurar que la sincronización de ignición sea precisa durante su rango de operación. El anillo y sensor del cigüeñal 58X proporciona información más inmediata y precisa sobre la posición del cigüeñal durante la rotación. Esto permite que el ECM ajuste la sincronización de ignición con mayor precisión, lo que optimiza el desempeño y economía. Arrancar el motor también es más consistente en todas las condiciones de operación.

En conjunto con la sincronización de cigüeñal 58X, la generación V aplica la tecnología de sincronización de leva digital más reciente. El sensor de leva está ubicado en la cubierta del motor delantero, y lee un objetivo de sensor 4X en el rotor de corrector de fase de árbol de levas que se conecta al extremo delantero del árbol de levas. El anillo objetivo tiene cuatro segmentos espaciados a igual distancia que comunican la posición del árbol de levas más rápido y con más precisión que los sistemas anteriores con un segmento sencillo.

La medición 58X/4X dual asegura la sincronización extremadamente precisa durante la vida del motor. Además, proporciona un sistema de respaldo efectivo en el caso que falle un sensor.

Sensor de humedad de inducción de aire: Esta nueva característica asegura la eficiencia de combustión óptima, sin importar la humedad del aire alrededor.

Ignición de bobina sobre bujía: La ignición de bobina cerca de bujía individual de la generación V presenta bobinas avanzadas que son compactas y montadas sobre las cubiertas del balancín, aunque se colocan de manera diferente al motor generación IV. Una bobina individual para cada bujía entrega voltaje máximo y densidad de chispa consistente, sin variación entre los cilindros.

Bujías de punta de iridio: Las bujías tienen una punta de electrodo de iridio y un núcleo de iridio en el conductor, que ofrece mayor resistencia interna mientras mantiene una densidad de chispa óptima durante su vida útil. El diseño de electrodo mejora la eficiencia de combustión.

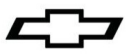
Sistema de combustible

Baja presión (Tanque de combustible a motor)

El sistema de producción usa un sistema de flujo/presión variable sin retorno que se ha incorporado en el juego de control del motor Chevrolet Performance. Un sistema de combustible sin retorno reduce la temperatura interna del tanque de combustible al controlar la velocidad de la bomba de combustible y no regresar combustible caliente desde el motor al tanque de combustible. Si usa el juego de control de motor Chevrolet Performance, se requiere una bomba de combustible con capacidad de modulación de ancho de pulso que descarga 500 kPa (72psi) a 45 galones por hora. Si no usa el sistema de control de motor Chevrolet Performance, entonces se debe usar una bomba de combustible y un regulador que descargue 500kPa (72psi) con 45 galones por hora de flujo.

TITLE Performance Parts LT1 Engine	PART NO. 19328729	SHEET 24 OF 33
---	--------------------------	------------------------------

ALL INFORMATION WITHIN ABOVE BORDER TO BE PRINTED EXACTLY AS SHOWN ON 8 1/2 x 11 WHITE 16 POUND BOND PAPER. PRINT ON BOTH SIDES, EXCLUDING TEMPLATES. TO BE UNITIZED IN ACCORDANCE WITH GM SPECIFICATIONS.	DATE	REVISION	AUTH
	03JN14	Initial Release - Rocko Parker	N/A



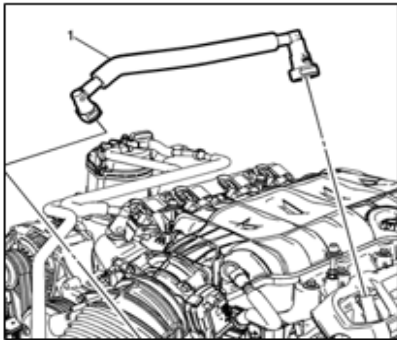
Alta presión (en motor)

La alta presión de combustible necesaria para inyección directa es suministrada por la bomba de combustible de alta presión. La bomba de combustible de alta presión se instala en la parte trasera del motor bajo el múltiple de admisión y es accionada por la leva de tres lóbulos sobre el árbol de levas. La bombas de combustible de alta presión también regula la presión de combustible usando un actuador en la forma de una válvula controlada por solenoide interno que es controlada por el ECM.

Sistema de ventilación positiva del cárter (PCV)

Se usa un sistema de ventilación del cárter cerrado para purgar de manera más completa los vapores del cárter. Se suministra aire fresco desde el sistema de filtración de aire (depurado de aire) al cárter, mezclado con gases succionados, y después pasan a través de la válvula de ventilación del cárter dentro del múltiple de admisión. Hay dos puertos, uno por cada cubierta de válvula, que se necesitan conectar al sistema de filtración de aire del motor (depurador de aire). Estos puertos se necesitan conectar en algún lugar entre el medidor de Flujo de aire de masa (MAF) y el cuerpo del acelerador del motor. El aire para PCV se necesita medir por el MAF, para la operación apropiada del motor. La manguera de PCV 12645127 se puede adquirir para obtener el accesorio de conexión rápida, cuando se cree una instalación personalizada (artículo 1 en la figura 1)

Fig. 1



Sincronización de árbol de levas variable

Este motor tiene la capacidad de variar la posición del árbol de levas contra la posición del pistón. Si elige usar el juego de controlador de motor Chevrolet Performance, entonces variará la sincronización del árbol de levas para mejorar las emisiones y economía de combustible, mientras continúa produciendo gran potencia.

En marcha en vacío, por ejemplo, la leva está en la posición completamente avanzada, lo que permite una marcha en vacío excepcionalmente regular. Bajo otras condiciones, el ajustador de fase se ajusta para entregar sincronización óptima de válvula para desempeño, capacidad de conducción y economía de combustible. En altas rpm puede retardar la sincronización para maximizar el flujo de aire a través del motor e incrementar los caballos de fuerza. En bajas rpm puede avanzar la sincronización para incrementar el par. Bajo cargas ligeras, puede retardar la sincronización en todas las velocidades del motor para mejorar la economía del combustible.

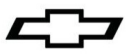
Un ajustador de fase tipo aleta se instala en el frente del árbol de levas para cambiar su orientación angular en relación a la rueda dentada, ajustando con ello la sincronización de la operación de la válvula instantáneamente. Es un sistema de fase de levas dual igual que ajusta la sincronización del árbol de levas a la misma tasa para las válvulas tanto de admisión como de escape. El sistema permite la entrega lineal de par, con niveles casi pico sobre un amplio rango de rpm, y alta salida específica (caballos de fuerza por litro de desplazamiento) sin sacrificar la respuesta del motor o capacidad de conducción general. También proporciona otra herramienta efectiva para controlar las emisiones de escape.

Bomba de aceite de motor - Sistema de aceite de cárter húmedo

La lubricación del motor es suministrada por un ensamble de bomba de aceite tipo aspa de dos etapas de desplazamiento variable. Una válvula solenoide de control de aceite, controlada por el ECM, instalada a la bomba de aceite proporciona funcionalidad de dos etapas. La bomba de aceite se instala en el frente del bloque del motor y se acciona directamente por la corona dentada del cigüeñal. El rotor de la bomba y las aspas giran y extraen aceite del cárter de aceite a través de una pantalla y tubo de recolección. El aceite está presurizado conforme pasa a través de la bomba y se envía a través de las galerías de aceite del bloque del motor. La bomba de aceite de presión/flujo variable debe ser controlada por el ECM para mantener la lubricación adecuada y minimiza la entrega de aceite excesiva a las culatas de cilindro y el sistema PCV. Hay varios dispositivos en el LT1 que usan presión de aceite para mantener la funcionalidad adecuada. El ECM controla la presión y flujo de aceite del motor para enfriamiento del pistón de rocío de aceite, sincronización de válvula variable, desactivación de cilindro junto con el cigüeñal y enfriamiento del cojinete del árbol de levas. El modo predeterminado para la bomba de aceite es flujo alto y alta presión. Esto puede llevar a consumo excesivo de aceite a través del sistema PCV.

TITLE Performance Parts LT1 Engine	PART NO. 19328729	SHEET 25 OF 33
---	--------------------------	------------------------------

ALL INFORMATION WITHIN ABOVE BORDER TO BE PRINTED EXACTLY AS SHOWN ON 8 1/2 x 11 WHITE 16 POUND BOND PAPER. PRINT ON BOTH SIDES, EXCLUDING TEMPLATES. TO BE UNITIZED IN ACCORDANCE WITH GM SPECIFICATIONS.	DATE	REVISION	AUTH
	03JN14	Initial Release - Rocko Parker	N/A



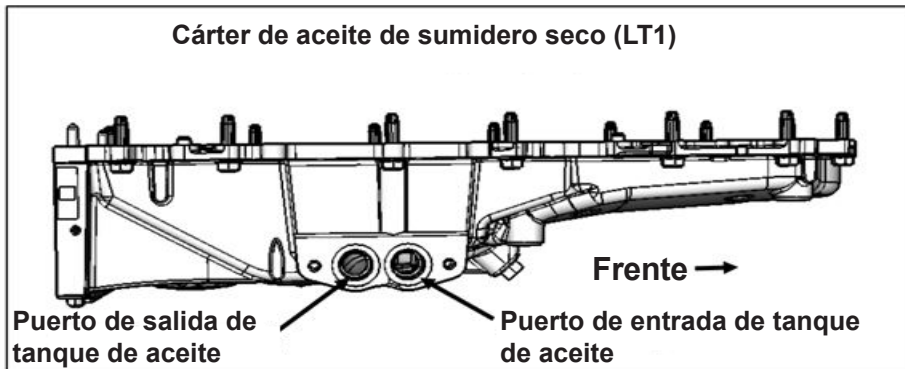
Bomba de aceite de motor - Aceitado de cárter seco

La lubricación del motor se suministra por un ensamble de bomba de aceite de dos etapas. El ensamble de la bomba de aceite consiste en una bomba de desplazamiento variable tipo aspa primaria una bomba estilo gerotor secundaria. La bomba primaria contiene una válvula de alivio de presión que protege el filtro de aceite montado en el cárter de aceite contra sobrepresurización durante el arranque del motor en frío. Si la presión del sistema excede 600 kPa (87 psi), la válvula de alivio de presión se abrirá y descargará el aceite de regreso al cárter de aceite. El juego de engrane frontal o delantero es la bomba secundaria. El alojamiento trasero o hacia atrás contiene la bomba primaria. El ensamble de la bomba se instala al frente del motor y se acciona directamente por la corona dentada del cigüeñal. Las aspas de la bomba primaria giran en sentido de las manecillas del reloj y succionan aceite desde el tanque de aceite del motor a través del tanque de aceite. El aceite está presurizado conforme pasa a través de la bomba primaria y se envía a través de la galería de aceite inferior del bloque del motor.

El aceite presurizado se dirige a través de la galería de aceite inferior del bloque del motor al filtro de aceite de flujo pleno donde se retiran los contaminantes dañinos. Se incorpora una válvula de derivación en el filtro de aceite, que permite flujo de aceite en el caso que el filtro se restrinja.

El aceite sale del filtro de aceite y después se dirige al enfriador de aceite externo. El enfriador de aceite externo es un enfriador de aceite de líquido a líquido (refrigerante de motor a aceite) y consiste en un cárter de aceite instalado en el núcleo y líneas de refrigerante que conectan el enfriador de aceite al circuito de enfriamiento del motor. Una válvula de derivación se incorpora en el ensamble del enfriador de aceite en el caso que el flujo de aceite dentro del enfriador se restrinja. El aceite regresa desde el enfriador de aceite y se dirige a las galerías superiores de aceite principal.

El puerto de entrada del tanque de aceite se usa para suministrar el aceite recolectado del motor al tanque de almacenamiento. El puerto de salida del tanque de aceite se usa para suministrar aceite no aerado desde el tanque de almacenamiento al motor. El juego de adaptador de aceite de Chevrolet Performance parts número de parte 25534412 se puede usar para convertir a accesorios AN-12.



Cuando reemplace el aceite del motor, hay dos tapones de drenaje de aceite dentro del cárter de aceite. Un tapón drena el cárter de aceite y el otro tapón drena el tanque de almacenamiento.

Enfriamiento de tren motriz

Tipo de refrigerante

Mezcla 40/60 de refrigerante/agua potable limpia y uso de Refrigerante DEX-COOL® únicamente.

Sistema de enfriamiento de motor

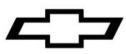
Se recomienda un tanque de expansión para retirar el aire del refrigerante del motor, siempre y cuando el radiador o el tanque de expansión sea el punto más alto en el sistema, entonces el aire se evacuará del refrigerante. El punto más alto, lo que significa que el radiador o el tanque de expansión tienen una porción más alta que la parte superior de las culatas de cilindro. De lo contrario, entonces se puede atrapar aire dentro de las culatas de cilindro y causar que partes de las culatas de cilindro se sobrecalienten, lo que será perjudicial para el desempeño y longevidad del motor.

El refrigerante se extrae de la salida del radiador y dentro de la entrada de la bomba de agua por la bomba de agua. Entonces se bombeará un poco de refrigerante desde la bomba de agua, al núcleo del calentador, y después de regreso a la bomba de agua. Esto proporciona calor y descongelamiento al compartimiento de pasajeros.

También se bombea refrigerante a través de la salida de la bomba de agua y dentro del bloque del motor. En el bloque del motor, el refrigerante circula a través de las camisas de agua que rodean los cilindros donde absorbe calor.

TITLE Performance Parts LT1 Engine	PART NO. 19328729	SHEET 26 OF 33
---	--------------------------	------------------------------

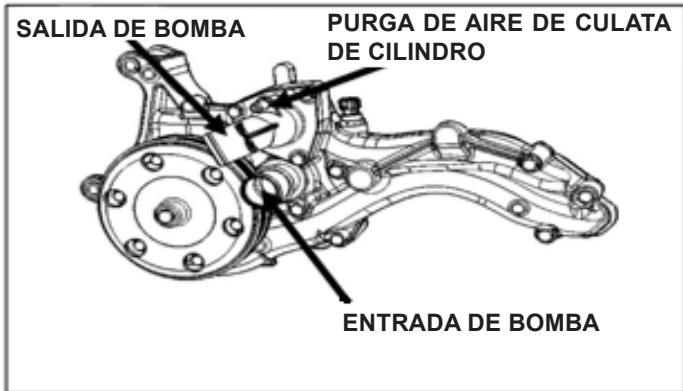
ALL INFORMATION WITHIN ABOVE BORDER TO BE PRINTED EXACTLY AS SHOWN ON 8 1/2 x 11 WHITE 16 POUND BOND PAPER. PRINT ON BOTH SIDES, EXCLUDING TEMPLATES. TO BE UNITIZED IN ACCORDANCE WITH GM SPECIFICATIONS.	DATE	REVISION	AUTH
	03JN14	Initial Release - Rocko Parker	N/A



El refrigerante entonces se fuerza a través de las aberturas del empaque de la culata de cilindro y dentro de éstas. En las culatas de cilindro, el refrigerante fluye a través de las camisas de agua que rodean las cámaras de combustión y los asientos de válvula, donde absorbe calor adicional.

Desde las culatas de cilindro, el refrigerante se fuerza al termostato. El flujo de refrigerante se detendrá en el termostato hasta que el motor esté caliente, o fluirá de a través del termostato y dentro del radiador donde se enfría y se completa el ciclo de refrigerante.

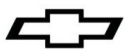
Se necesita enrutar la purga de aire de la culata de cilindro al punto más alto en el sistema de enfriamiento. Esto ayudará a retirar aire de las culatas de cilindro (Figura 2).



Se puede comprar la manguera 22768503 para obtener las conexiones rápidas de entrada/salida del calentador, cuando se crea una instalación personalizada (Figura 3).

Fig. 3



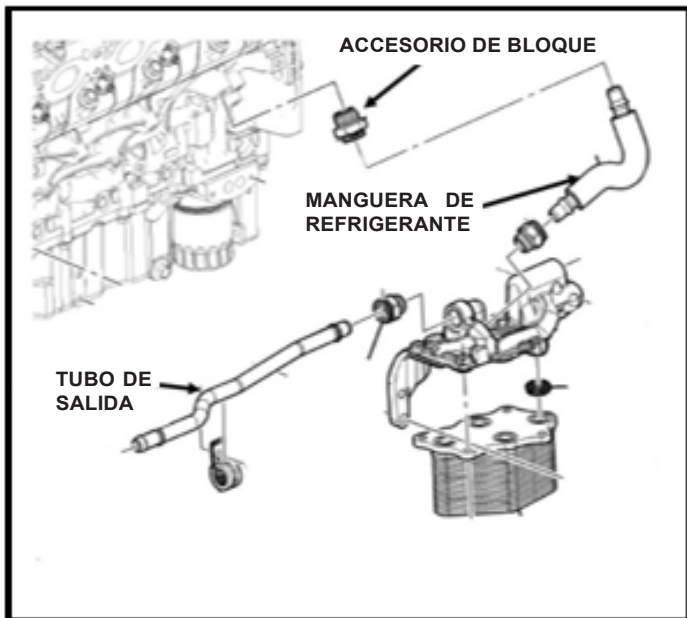


Enfriamiento de aceite de motor

El motor como se entrega viene con un enfriador de aceite de motor líquido a líquido. El aceite del motor se bombea a través del enfriador y el refrigerante del motor se bombea a través del enfriador, para transferir el calor del aceite del motor al refrigerante del motor. El refrigerante del motor se debe enrutar a la porción inferior del radiador, o la manguera de entrada de la bomba de refrigerante. En calor entonces se retira por el radiador del motor. Dependiendo de la instalación, se puede usar o retirar el enfriador de aceite del motor. Si usa este intercambiador de calor, entonces las siguientes partes ayudarán en la instalación (Figura 4).

<u>DESCRIPCIÓN</u>	<u>NÚMERO DE PARTE</u>	<u>CANTIDAD</u>
Manguera-enfriador de motor	22768504	1
Accesorio-manguera de bloque	22876452	1
Tubo-salida de enfriador	22768508	1

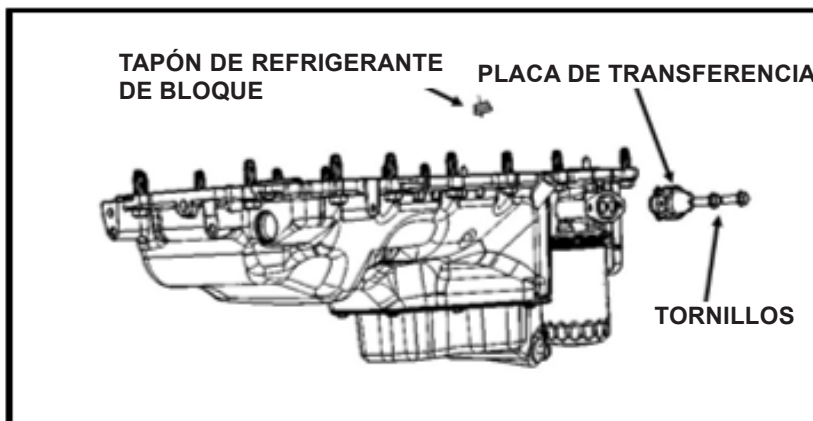
Fig. 4

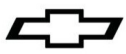


Si no se usa el enfriador entonces se pueden usar las siguientes partes (Figura 5).

<u>DESCRIPCIÓN</u>	<u>NÚMERO DE PARTE</u>	<u>CANTIDAD</u>
Tapón-refrigerante de bloque	11611351	1
Placa-transferencia de aceite	12633987	1
Perno-placa de aceite	11562426	2

Fig. 5





El motor LT1 Generación V presenta enfriamiento de pistón de rocío de aceite, en el que ocho chorros de rocío de aceite en el bloque del motor empapan la parte inferior de cada pistón y la pared del cilindro adyacente con una capa adicional de aceite de enfriamiento y reducción de fricción. El rocío de aceite reduce la temperatura del pistón, promoviendo una salida extrema y durabilidad a largo plazo. La capa adicional de aceite sobre las paredes del cilindro y pasador de muñeca también aminora el ruido que se origina desde los pistones.

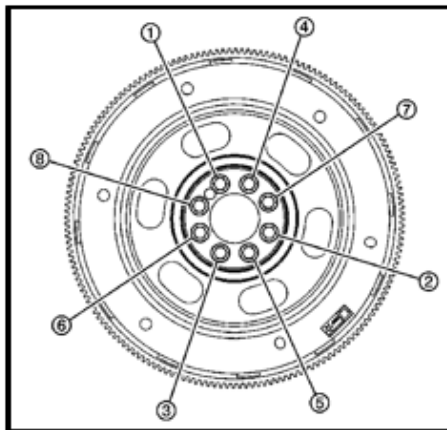
Plato flexible

La placa flexible incluida está diseñada para una transmisión trasera. Chevrolet performance parts ofrece una placa flexible estándar (número de parte 12620099) que se puede usar (verifique el patrón de perno del convertidor de par). Esta placa flexible tiene 6 orificios de conexión espaciados de forma uniforme (a 60 grados de distancia) sobre un espaciamiento de 281mm (11.063") de diámetro, para el convertidor de par.

NOTA: La placa flexible no usa un perno de localización para alineación y no se asentará inicialmente contra la brida del cigüeñal, pero se ajustará al cigüeñal por los pernos de placa flexible del motor. Este procedimiento requiere un proceso de apriete de 3 etapas.

1. Instale la placa flexible al cigüeñal. (figura 6)
2. Aplique sellador de rosca a las roscas de los pernos de la placa flexible.
3. Instale los pernos de la placa flexible del motor.
4. Apriete los pernos de la placa flexible del motor (1-8) un primer apriete en secuencia a 15 Nm (11 lbs pie).
5. Apriete los pernos de la placa flexible del motor (1-8) un segundo apriete en secuencia a 30 Nm (22 lbs pie).
6. Apriete los pernos de la placa flexible del motor (1-8) un apriete final en secuencia 30 grados adicionales.

Fig. 6

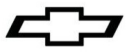


Cojinete piloto

Debe instalar un cojinete piloto en la parte trasera del cigüeñal, si el motor se va a usar con una transmisión manual. El cojinete piloto alinea el eje de entrada de la transmisión con la línea central del cigüeñal. Un cojinete piloto gastado o mal alineado puede causar problemas con los cambios y un desgaste rápido del embrague. Hay dos diferentes cojinetes piloto Chevrolet para el LT1. 14061685 es para transmisión de eje de entrada largo y 12557583 es para transmisión de eje de entrada corto. Verifique el ajuste antes de instalar la transmisión u ocurrirá daño.

TITLE Performance Parts LT1 Engine	PART NO. 19328729	SHEET 29 OF 33
---	--------------------------	-----------------------

ALL INFORMATION WITHIN ABOVE BORDER TO BE PRINTED EXACTLY AS SHOWN ON 8 1/2 x 11 WHITE 16 POUND BOND PAPER. PRINT ON BOTH SIDES, EXCLUDING TEMPLATES. TO BE UNITIZED IN ACCORDANCE WITH GM SPECIFICATIONS.	DATE	REVISION	AUTH
	03JN14	Initial Release - Rocko Parker	N/A

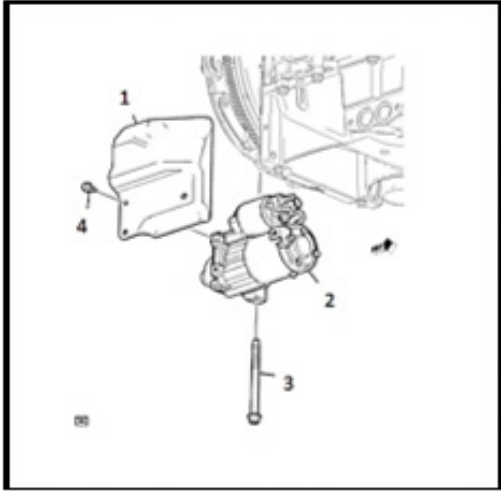


Motor de arranque

No se proporciona un motor de arranque con el motor. Las siguientes partes están diseñadas para el sistema de arranque LT1 (Figura 7).

<u>ÍTEM</u>	<u>DESCRIPCIÓN</u>	<u>NÚMERO DE PIEZA</u>	<u>CANTIDAD</u>
1	Protector-motor de arranque	12656132	1
2	Motor de arranque	12619241	1
3	Perno-motor de arranque	11610787	2
4	Perno-protector de calor	11588711	3

Fig. 7

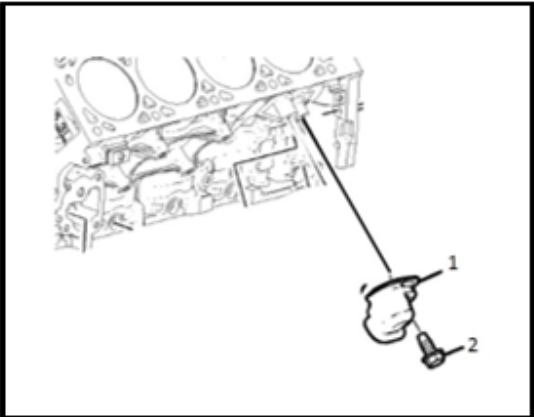


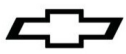
Protector de calor de sensor de detonación

El sistema de protección usa un protector de calor para proteger el sensor de detonación del lado del conductor. Esto se debe a la proximidad cercana del múltiple de escape al sensor de detonación. Si se requiere para su aplicación, las partes se indican en (Figura 8).

<u>ÍTEM</u>	<u>DESCRIPCIÓN</u>	<u>NÚMERO DE PIEZA</u>	<u>CANTIDAD</u>
1	Protector-sensor de detonación	12640390	1
2	Perno-protector de calor	11519976	1

Fig. 8





Válvula de emisiones de evaporación

El sistema de emisiones de evaporación se puede usar con el juego de control de motor Chevrolet Performance, pero no se requiere para la operación correcta del motor. Este puerto se debe tapar o conectar a un depósito de vapor. (Figura 9)

Fig. 9



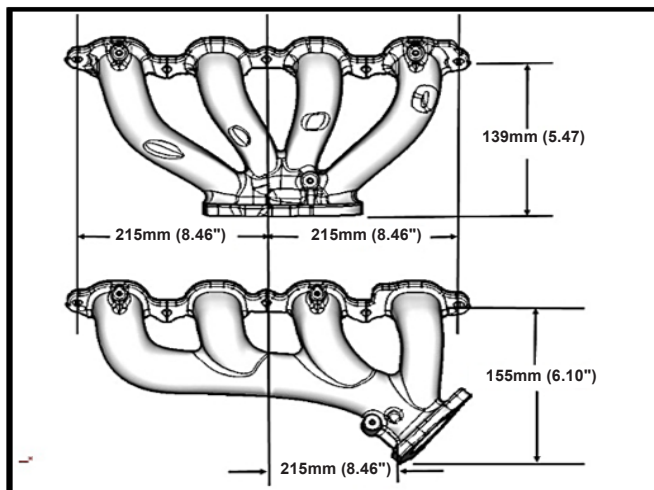
Múltiples de escape

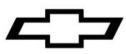
Los múltiples de escape tal como se embarcan pueden no ajustarse a su vehículo. Una opción es usar los múltiples estilo camioneta (Figura 10).

Se muestra lado del conductor. El lado del pasajero es similar.

<u>DESCRIPCIÓN</u>	<u>NÚMERO DE PIEZA</u>	<u>CANTIDAD</u>
Múltiple-izquierdo	12629337	1
Escudo contra calor-izquierdo	12629339	1
Múltiple-derecho	12629338	1
Escudo contra calor-derecho	12629340	1
Perno-protector de calor	11562426	6

Fig. 10





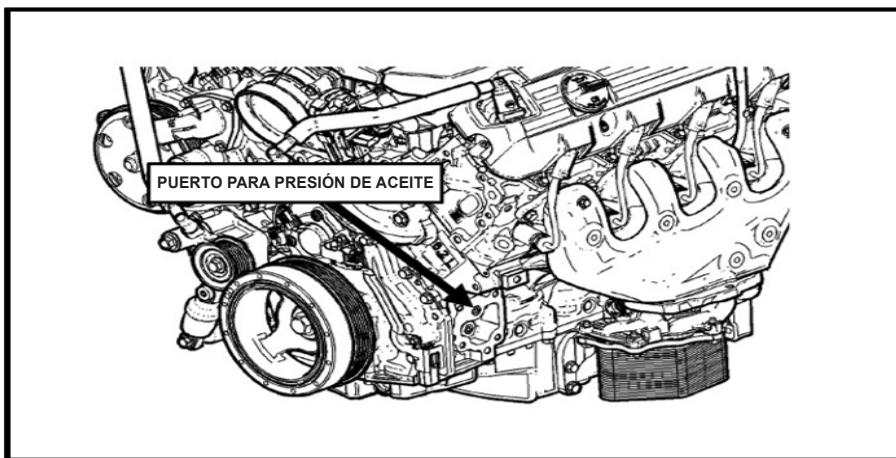
Procedimientos de arranque y de asentamiento.

Sólo use aceite de motor con licencia de especificación dexos1® del grado de viscosidad SAE adecuado. Se recomienda la Mezcla Sintética AC Delco dexos1. Para eventos en pista o conducción competitiva, use aceite de motor Mobil 1® 15W-50.

La seguridad es primero, si el vehículo está en el suelo, asegúrese de poner el freno de emergencia y de que las ruedas y la transmisión estén bloqueadas. Verifique que todo esté instalado correctamente y que no falte nada.

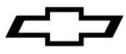
1. Este conjunto del motor necesita llenarse con aceite. Después de instalar el motor, asegúrese de que el cárter haya sido llenado con el aceite para motor adecuado hasta el nivel de llenado de aceite recomendado en la varilla de nivel. Este motor armado requiere un aceite especial que cumpla con dexos1. También revise y rellene según se requiera cualquier otro fluido necesario como refrigerante, fluido de la dirección hidráulica, etc.
2. Al motor se le debe aplicar una capa de aceite antes de arrancar. Instale un manómetro de aceite (hay un puerto tapado que se puede usar para medir mecánicamente la presión de aceite Figura 11) y desconecte el sistema de control de ignición (se recomienda por lo general retirar la energía de módulo de control de ignición, pero revise la información de su sistema de control de ignición respecto a detalles adicionales). Nota: Retirar las bujías permitirá que el motor gire más rápido y que se acumule presión de aceite más rápidamente.
3. Una vez que se ha desconectado el sistema de control de ignición, arranque el motor utilizando el motor de arranque durante 10 segundos y revise si hay presión de aceite. Si no hay presión, espere 30 segundos y encienda de nuevo el motor por 10 segundos.
4. Repita este proceso hasta que el medidor indique la presión del aceite.
5. Vuelva a conectar el sistema de control de ignición. Arranque el motor y escuche si percibe ruidos inusuales. Si no oye ruidos inusuales, acelere el motor a aproximadamente 1,000 RPM hasta alcanzar una temperatura de operación normal.
6. Cuando sea posible, siempre debe permitir que el motor se caliente antes de empezar a conducir. Es una buena práctica dejar que la temperatura del cárter del aceite y del agua llegue a 180°F antes de levantar cargas pesadas o de acelerar a fondo.
7. El motor se debe conducir con diversas cargas y en diferentes condiciones las primeras 30 millas o una hora sin acelerador completamente abierto (WOT) o sin aceleraciones sostenidas a RPM altas.
8. Acelere cinco o seis veces a la mitad (50%) hasta unas 4,000 RPM y regrese a marcha en vacío (0% aceleración) con la velocidad puesta.
9. Acelere dos o tres veces a fondo (100% acelerador completamente abierto) hasta unas 4,000 RPM y regrese a marcha en vacío (0% aceleración) con la velocidad puesta.
10. Cambie el aceite y el filtro. Cambie el aceite conforme a la especificación del paso 1 y sustituya el filtro con un filtro de aceite nuevo PF64 AC Delco. Revise si el aceite o el filtro tiene partículas extrañas para asegurar que el motor funcione correctamente.
11. Conduzca las siguientes 500 millas (12 a 15 horas del motor) en condiciones normales. No opere el motor a su capacidad de velocidad máxima. De igual manera, no exponga el motor a periodos largos de carga pesada.
12. Cambie el aceite y el filtro. Nuevamente, revise si el aceite y filtro de aceite tienen partículas extrañas para asegurar que el motor funcione correctamente.

Fig. 11



TITLE Performance Parts LT1 Engine	PART NO. 19328729	SHEET 32 OF 33
---	--------------------------	-----------------------

ALL INFORMATION WITHIN ABOVE BORDER TO BE PRINTED EXACTLY AS SHOWN ON 8 1/2 x 11 WHITE 16 POUND BOND PAPER. PRINT ON BOTH SIDES, EXCLUDING TEMPLATES. TO BE UNITIZED IN ACCORDANCE WITH GM SPECIFICATIONS.	DATE	REVISION	AUTH
	03JN14	Initial Release - Rocko Parker	N/A



Especificaciones del motor LT1:

- Tipo: Gen V Bloque pequeño V8
- Desplazamiento:..... 376 pulgadas cúbicas (6.2 litros).
- Barreno x carrera:..... 4.065" (103.25 mm) X 3.622" (92 mm)
- Compresión: 11.5:1
- Bloque: Aluminio fundido, casquillos principales con pernos en cruz de seis pernos
- Culata del motor: Puerto rectangular de aluminio fundido
- Diámetro de válvula (Admisión/escape):..... 2.13"/1.59" (54mm/40.4mm)
- Volumen de la cámara:..... 59cc
- Cigüeñal: Acero forjado, balanceado internamente
- Bielas:..... Metal forjado en polvo
- Pistones:..... Aluminio hipereutéctico
- Árbol de levas:..... Levantador hidráulico del rodillo
- Elevación:..... 0.551" admisión, 0.524" escape
- Duración: 200° admisión, 207° escape @ .050" de elevación del levantador
- Línea de centro:..... 116.5° LSA
- Relación del brazo balancín: 1.81:1
- Capacidad de aceite con filtro: 7.0 cuartos (6.6 litros)
- Presión de aceite (Mínima, con aceite caliente):..... 6 psig @ 1,000 RPM
 18 psig @ 2000 RPM
 24 psig @ 4000 RPM
- Aceite recomendado:..... DEXOS1 5W30 o Mobil1 15W-50
- Filtro de aceite:..... AC Delco parte # PF64
- Combustible:..... Premium sin plomo -92 (R+M/2)
- Velocidad máxima del motor: 6600 RPM
- Bujías:..... Chevrolet 12622441
 AC Delco # 41-114
- Distancia entre bujías:..... 0.037-0.043" (0.95-1.10 mm)
- Orden de explosión: 1-8-7-2-6-5-4-3

La información puede variar según la aplicación. Todas las especificaciones enumeradas están basadas en la información sobre la última producción disponible al momento de la impresión.

TITLE Performance Parts LT1 Engine	PART NO. 19328729	SHEET 33 OF 33
---	--------------------------	-----------------------

ALL INFORMATION WITHIN ABOVE BORDER TO BE PRINTED EXACTLY AS SHOWN ON 8 1/2 x 11 WHITE 16 POUND BOND PAPER. PRINT ON BOTH SIDES, EXCLUDING TEMPLATES. TO BE UNITIZED IN ACCORDANCE WITH GM SPECIFICATIONS.	DATE	REVISION	AUTH
	03JN14	Initial Release - Rocko Parker	N/A