

## LS7 EFI Crate Engines Specifications

Specifications part number: 19329268

Thank you for choosing Chevrolet Performance as your high performance source. Chevrolet Performance is committed to providing proven, innovative performance technology that is truly.... more than just power. Chevrolet Performance are engineered, developed and tested to exceed your expectations for fit and function. Please refer to our catalog for the Chevrolet Performance Authorized Center nearest you or visit our website at [www.chevroletperformance.com](http://www.chevroletperformance.com).

This publication provides general information on components and procedures which may be useful when installing or servicing your crate engine. Please read this entire publication before starting work.

These crate engines are assembled using brand new, premium quality components. They utilize modern technologies as fuel injection, individual ignition coil per cylinder, and electronic throttle control. Due to the wide range of small block applications, if you are retrofitting a previous small block application, you may encounter installation differences between your crate engine assemblies and the previous version. These differences may require modifications or additional components not included with the engine, including cooling, fuel, electrical, and exhaust systems.

Some fabrication work may be required.

The LS7 crate engines require an engine control system and harness which are available from your Chevrolet Performance dealer. Check with your dealer or on [www.chevroletperformance.com](http://www.chevroletperformance.com) for the control system packages that are currently available. Generally, the fuel system requirement is 58 psi (400 kPa) constant fuel pressure, but check the information included in your engine control system for the actual pressure requirement. The LS7 crate engine requires a minimum of 50 gph flow at 58 psi (400 kPa).

It is not the intent of these specifications to replace the comprehensive and detailed service practices explained in the GM service manuals.

For information about warranty coverage, please contact your local Chevrolet Performance dealer.

Observe all safety precautions and warnings in the service manuals when installing a crate engine in any vehicle. Wear eye protection and appropriate protective clothing. When working under or around the vehicle support it securely with jack stands. Use only the proper tools.

Exercise extreme caution when working with flammable, corrosive, and hazardous liquids and materials. Some procedures require special equipment and skills. If you do not have the appropriate training, expertise, and tools to perform any part of this conversion safely, this work should be done by a professional.

## Legal and Emissions Information

This publication is intended to provide information about the crate engine and related components. This manual also describes procedures and modifications that may be useful during the installation of an LS7 crate engine. It is not intended to replace the comprehensive service manuals and parts catalogs which cover Chevrolet Performance engines and components. Rather, it is designed to provide supplemental information in areas of interest to "do-it-yourself" enthusiasts and mechanics. This publication pertains to engines and vehicles which are used off the public highways except where specifically noted otherwise. Federal law restricts the removal of any part of a federally required emission control system on motor vehicles. Further, many states have enacted laws which prohibit tampering with or modifying any required emission or noise control system. Vehicles which are not operated on public highways are generally exempt from most regulations, as are some special interest and pre-emission vehicles. The reader is strongly urged to check all applicable local and state laws. Many of the parts described or listed in this manual are merchandised for off-highway application only, and are tagged with the "Special Parts Notice" reproduced here:

## Special Parts Notice

This part has been specifically designed for Off-Highway application only. Since the installation of this part may either impair your vehicle's emission control performance or be uncertified under current Motor Vehicle Safety Standards, it should not be installed in a vehicle used on any street or highway. Additionally, any such application could adversely affect the warranty coverage of such an on-street or highway vehicle.

## Package Contents:

Item	Description	Quantity
1	Engine Assembly	1
2	Engine Instructions	1

## Component Information:

Additional service information not included in this document can be found from your Chevrolet Performance Parts dealer under the Chevrolet 2013 Corvette Z06, LS7 RPO for all components. When servicing or replacing items below, use information for a LS7 Chevrolet 2013 Corvette Z06 engine.

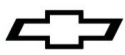
## Additional Parts That May Be Needed:

### Engine Control System

The LS7 crate engines require an engine control system and harness which are available from your Chevrolet Performance dealer. Check with your dealer or on [www.chevroletperformance.com](http://www.chevroletperformance.com) for the control system packages that are currently available.

### Flywheel

The LS7 crate engine includes a Corvette 14" Z06 168 tooth manual transmission flywheel.



### Pilot Bearing

**NOTE:** The short pilot bearing is already installed, verify fit prior to transmission installation or damage will occur.

The pilot bearing aligns the transmission input shaft with the crankshaft centerline. A worn or misaligned pilot bearing can cause shifting problems and rapid clutch wear. There are two different pilot bearings for the LS7 engine. 14061685 for a long input shaft and 12557583 for a short input shaft.

### Starter

The LS7 crate engine does not include a starter. Chevrolet Performance Parts part number 10465385 is matched to this application and is recommended. See your Chevrolet Performance Parts dealer for details.

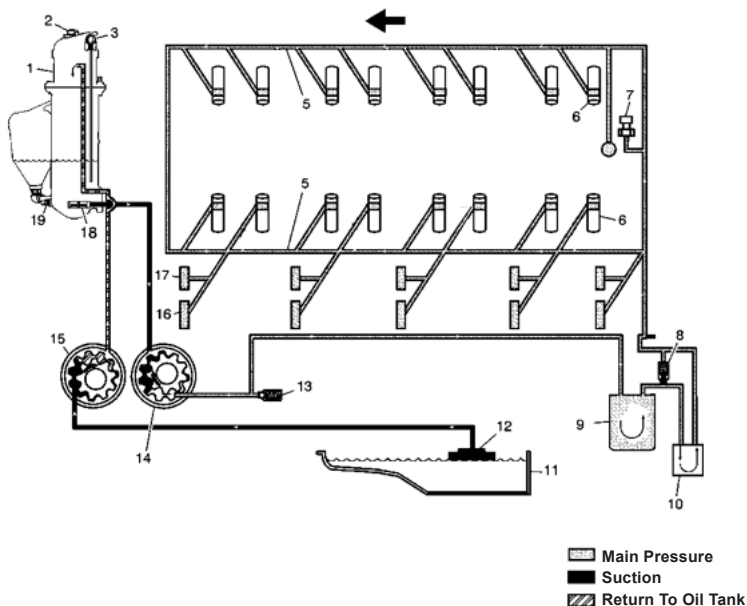
### Air Induction

A foam or paper element, low restriction air filter/cleaner should be used to protect the engine from excessive wear. Additionally, your engine control system may have recommendations for air cleaners and intake systems for best performance.

### Fuel Pump

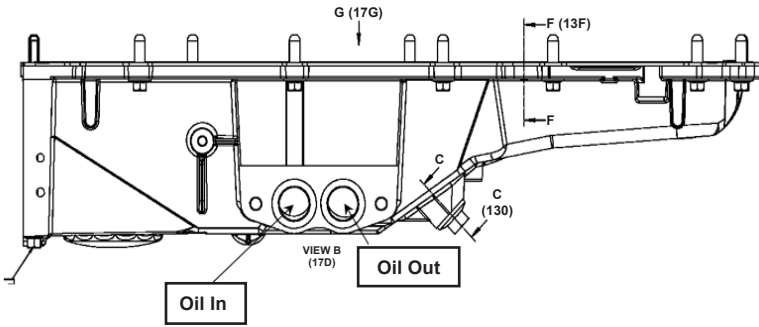
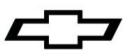
The LS7 engine does not include a fuel pump. Generally, the EFI system requirement is 58 psi constant pressure, but consult the information with your engine control system for the actual recommendation. The fuel pump you choose must be capable of 53 gallons per hour (GPH) @ the recommended pressure. Chevrolet Part Number 19206466 is an in-tank unit that meets these requirements, but may not be adaptable for all applications. Numerous aftermarket pumps will meet these requirements as well. Chevrolet Performance offers a fuel filter/regulator part number 19239926 that will regulate to the correct fuel pressure.

### Oil System:



The LS7 Crate Engine is configured as a dry sump oiling system (see diagram below). A remote oil tank and appropriate oil lines are required for this type of installation (the production Corvette oil tank is GM part number 12629421 and is shown in the diagram). Chevrolet Performance p/n 25534412 is an adapter kit to allow use of AN -12 hoses at the oil pan. Engine lubrication is supplied by a gerotor type oil pump assembly. The oil pump assembly consists of 2 pump housings, 2 separate gear sets, and 1 pressure relief valve. The front or forward gear set is the secondary pump (15). The rear or rearward gear set is the primary pump (14). The pump assembly is mounted at the front of the engine and driven directly by the crankshaft sprocket. The primary pump (14) gears rotate and draw oil from the engine oil tank (3) through the oil tank screen (18). The oil is pressurized as it passes through the primary pump and is sent through the engine block lower oil gallery. Contained within the primary pump is a pressure relief valve (13) that maintains oil pressure within a specified range. Pressurized oil is directed through the engine block lower oil gallery to the full flow oil filter (10) where harmful contaminants are removed. A bypass valve is incorporated into the oil filter, which permits oil flow in the event the filter becomes restricted. Oil exits the oil filter and is then directed to the external oil cooler (1). A bypass valve (9) is incorporated into the oil cooler assembly in the event oil flow within the cooler is restricted. Oil returns from the oil cooler and is directed to the upper main oil galleries (6). Oil from the left upper oil gallery is directed to the crankshaft bearings (16), valve lifters 1, 3, 5, and 7, camshaft bearings (17). Oil from the right upper oil gallery is directed to the valve lifters 2, 4, 6, and 8. Oil exits the valve lifters and is then pumped through the pushrods to lubricate the valve rocker arms and valve stems. Oil returns to the oil pan (11), where the secondary pump (15) draws oil through an oil pump screen (12). The secondary pump (15) returns oil to the engine oil tank (3). Incorporated within the engine oil tank assembly are the oil level indicator (4), oil fill cap (5), oil temperature sensor (2), positive crankcase ventilation (PCV) fresh air port, and a serviceable oil pump screen (18). The engine oil pressure sensor (8) is located at the top rear of the engine assembly.

- |                              |                                      |
|------------------------------|--------------------------------------|
| 1. Engine Oil Tank           | 11. Oil Pan Sump                     |
| 2. Oil Fill Cap              | 12. Oil Pump Screen                  |
| 3. Oil Level Indicator       | 13. Pressure Relief Valve - Oil Pump |
| 4. N/A                       | 14. Oil Pump - Primary               |
| 5. Upper Main Oil Galleries  | 15. Oil Pump - Secondary             |
| 6. Valve Lifters             | 16. Crankshaft Bearings              |
| 7. Oil Pressure Sensor       | 17. Camshaft Bearings                |
| 8. Bypass Valve - Oil Cooler | 18. Oil Tank Screen                  |
| 9. Oil Filter                | 19. Oil Temperature Sensor           |
| 10. Engine Oil Cooler        |                                      |



### Accessory Drive Brackets

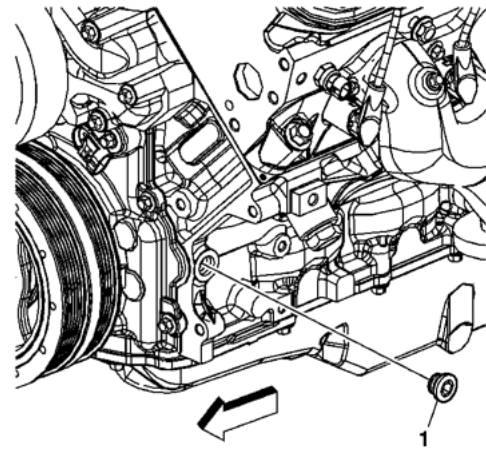
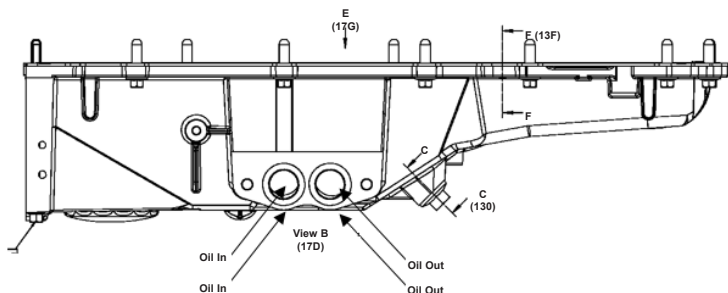
Accessory Drive Kit part 19155067 and 19155066 with air conditioning or 19299070 and 19257325 without air conditioning are available from Chevrolet Performance to fit the LS7 engines. These kits contain all components and hardware necessary for installation (includes air conditioning compressor, power steering pump, and alternator). Please see your Chevrolet Performance dealer or visit us on the web at [www.chevroletperformance.com](http://www.chevroletperformance.com).

### Start-up and Break-in Procedures:

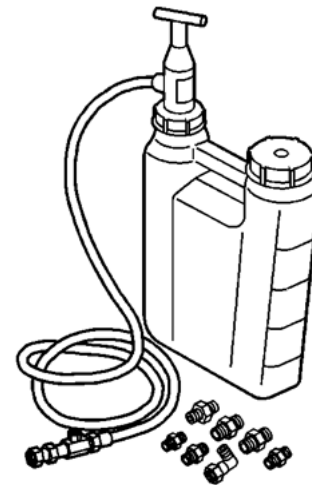
**Safety first, if the vehicle is on the ground, be sure the park brake is set, the wheels are chocked and the car cannot fall into gear. Verify everything is installed properly and nothing was missed.**

1. This engine assembly needs to be filled with oil. After installing the engine, ensure the crankcase has been filled with the appropriate motor oil to the recommended oil fill level on the dipstick. These crate engines require a special oil meeting DEXOS1 - 5W30. Also check and fill as required any other necessary fluids such as coolant, power steering fluid, etc.
2. This engine **MUST** be primed with oil before starting. The use of Kent-Moore engine preluber kit J45299 is the preferred process for priming.

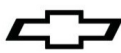
Note: A constant and continuous flow of clean engine oil is required in order to properly prime the engine. Be sure to use approved engine oil, as specified.



- A. Remove the engine oil filter, and fill with clean engine oil.
- B. Install the oil filter and tighten.
- C. Locate and remove the engine block left front oil gallery plug (1).
- D. Install the M16 x 1.5 adapter P/N 509375  
J 45299 Engine Preluber



- E. Install the flexible hose to the adapter and open the valve.
- F. Pump the handle on the J45299 preluber in order to flow a minimum of 1-1.9 liters (1-2 quarts) engine oil. Observe the flow of engine oil through the flexible hose and into the engine assembly. The engine will be primed after a small amount of pressure change is seen on the in car oil pressure gauge while pumping J45299.
- G. Close the valve and remove the flexible hose and adapter from the engine.
- H. Apply approved thread sealer and Install the oil gallery plug to the engine and tighten to 60 N•m (44 lb ft).  
Top-off the engine oil tank to the proper level.



3. Start the engine and listen for any unusual noises. If no unusual noises are noted, run the engine at approximately 1000 RPM until normal operating temperature is reached.
4. When possible, you should always allow the engine to warm up prior to driving. It is a good practice to allow the oil sump and water temperature to reach 180°F before towing heavy loads or performing hard acceleration runs.
5. The engine should be driven at varying loads and conditions for the first 30 miles or one hour without wide open throttle (WOT) or sustained high RPM accelerations.
6. Run five or six medium throttle (50%) accelerations to about 4000 RPM and back to idle (0% throttle) in gear.
7. Run two or three hard throttle (WOT 100%) accelerations to about 4000 RPM and back to idle (0% throttle) in gear.
8. Change the oil and filter. Replace the oil per the specification in step 1, and replace the filter with a new UPF48R AC Delco oil filter. Inspect the oil and the oil filter for any foreign particles to ensure that the engine is functioning properly.
9. Drive the next 500 miles (12 to 15 engine hours) under normal conditions. Do not run the engine at its maximum rated engine speed. Also, do not expose the engine to extended periods of high load.
10. Change the oil and filter. Again, inspect the oil and oil filter for any foreign particles to ensure that the engine is functioning properly.

**LS7 Engine Specifications:**

Type:..... 7.0L Gen IV Small Block V8

Displacement: ..... 427 cubic inches

Bore x Stroke: ..... 4.125 inch x 4.0 inch

Compression:..... 11.0:1

Block:..... Cast aluminum, six bolt cross-bolted main caps

Cylinder Head: ..... Cast aluminum rectangle port

Valve Diameter (Intake/Exhaust):..... 2.20" Titanium/1.61" sodium-filled

Chamber Volume: ..... 70cc

Crankshaft: ..... Forged Steel, internally balanced

Connecting Rods: ..... Forged Titanium

Pistons:..... Hypereutectic aluminum

Camshaft ..... Hydraulic roller tappet

Lift:..... 0.595" intake, 0.590" exhaust

Duration: ..... 211° intake, 230° exhaust @.050" tappet lift

Centerline: ..... 120.5° LSA

Rocker Arm Ratio:..... 1.8:1

Oil Capacity: ..... 10.5-quarts (with filter) minimum tank size

Oil Pressure (Minimum, with hot oil): .... 24 psig @ 1000 RPM  
35 psig @ 2000 RPM  
38 psig @ 3000 RPM

Recommended Oil: ..... DEXOS1

Oil Filter: ..... AC Delco part # UPF48R

Fuel:..... Premium unleaded-92 (R+M/2)

Maximum Engine Speed: ..... 7000 RPM

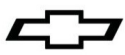
Spark Plugs: ..... GM 12571165  
AC Delco # 41-104

Spark Plug Gap: ..... .040"

Firing Order:..... 1-8-7-2-6-5-4-3

Information may vary with application. All specifications listed are based on the latest production information available at the time of printing.





## LS7 EFI Spécifications moteurs en caisse

Numéro de pièce des spécifications : 19329268

Nous vous remercions d'avoir choisi Chevrolet Performance comme source de haute performance. Chevrolet Performance s'est engagée à offrir une technologie de rendement éprouvée et novatrice qui est réellement... beaucoup plus que de la puissance. Chevrolet Performance a été conçu, élaboré et mis à l'essai de manière à dépasser vos attentes de réglage précis et de fonction. Veuillez vous reporter à notre catalogue pour connaître le centre Chevrolet Performance autorisé le plus près de chez vous ou visitez notre site Web à [www.chevroletperformance.com](http://www.chevroletperformance.com).

La présente publication offre de l'information d'ordre général sur les composants et les procédures pouvant s'avérer utile lors de l'installation ou de l'entretien du moteur en caisse. Veuillez lire en entier la présente publication avant de commencer à travailler.

L'assemblage de ces moteurs en caisse est effectué en utilisant des composants neufs de première qualité. Ils utilisent des technologies modernes, comme l'injection de carburant, une bobine d'allumage par cylindre et le papillon des gaz électronique. Compte tenu de la vaste gamme d'applications de moteurs à bloc compact, si l'on pose en après-vente une application antérieure à bloc compact, il se peut que l'on constate des différences de pose entre le moteur en caisse actuel et la version précédente. Ces différences peuvent nécessiter des modifications ou des composants supplémentaires qui ne sont pas compris avec le moteur, y compris les systèmes de refroidissement, électrique et d'échappement, ainsi que le circuit d'alimentation.

Il se peut qu'une certaine fabrication soit requise.

Les moteurs en caisse LS7 nécessite un système de commande de moteur et un faisceau de câbles offerts par les concessionnaires Chevrolet Performance. Vérifier auprès de votre concessionnaire ou sur le site Web [www.chevroletperformance.com](http://www.chevroletperformance.com) pour connaître les groupes de systèmes de commande actuellement offerts. En règle générale, l'exigence relative au circuit d'alimentation est de 400 kPa (58 lb/po2) de pression constante de carburant; toutefois, il faut vérifier l'information comprise dans le système de commande du moteur pour confirmer l'exigence réelle de pression. Le moteur en caisse LS7 nécessite un débit minimum de 50 gph à 400 kPa (58 lb/po2).

Ces caractéristiques techniques ne sont pas destinées à remplacer les pratiques d'entretien complètes et détaillées expliquées dans les manuels d'atelier GM.

Pour obtenir de l'information sur l'étendue de la garantie, prière de communiquer avec le concessionnaire Chevrolet Performance local.

Observer toutes les précautions et tous les avertissements en matière de sécurité présentés dans les manuels de réparation au moment de poser un moteur en caisse dans n'importe quel véhicule. Porter un protecteur pour la vue et des vêtements de protection appropriés. Lorsqu'on travaille sous un véhicule ou autour de celui-ci, le soutenir solidement à l'aide de chandelles. Utiliser seulement les outils appropriés.

Faire preuve d'extrême prudence lorsqu'on travaille avec des liquides ou des matériaux inflammables, corrosifs ou dangereux. Certaines procédures nécessitent l'utilisation d'un équipement spécial et des habiletés particulières. Si vous ne possédez pas la formation, l'expertise et les outils nécessaires pour effectuer toute partie de cette conversion en toute sécurité, ce travail devrait être réalisé par un professionnel.

### Information juridique et relative aux émissions

La présente publication a pour objet d'offrir des renseignements sur le moteur en caisse et les composants connexes. Ce guide décrit également les procédures et les modifications pouvant s'avérer utiles lors de l'installation d'un moteur en caisse LS7. Ces renseignements ne sont pas destinés à remplacer les manuels de réparation complets et les catalogues de pièces en matière de moteurs et de composants de Chevrolet Performance. Plutôt, ce guide a été conçu pour offrir des renseignements supplémentaires sur les matières pouvant intéresser les « bricoleurs » et les mécaniciens. Cette publication s'applique aux moteurs et aux véhicules qui sont utilisés hors des voies publiques, sauf indication contraire expresse. Les règlements fédéraux restreignent la dépose des véhicules automobiles de toute partie d'un système antipollution exigé par la loi fédérale. En outre, de nombreux États ont établi des lois qui interdisent le trafiquage ou la modification de tout système antipollution ou antibruit exigé par la loi. En règle générale, les véhicules qui ne roulent pas sur les voies publiques, tout comme certains véhicules d'intérêt spécial et pré-émissions, sont exempts de la plupart de la réglementation. On suggère fortement au lecteur de consulter tous les règlements municipaux et provinciaux applicables. Plusieurs des pièces qui sont décrites ou énumérées dans le présent ouvrage sont commercialisées à des fins hors autoroute seulement et elles portent l'étiquette « Special Parts Notice » (avis sur les pièces spéciales) qui est reproduite ici.

### Avis spécial sur les pièces

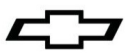
Cette pièce a été conçue spécifiquement pour une application hors route seulement. Puisque la pose de cette pièce pourrait nuire au rendement antipollution du véhicule ou donner lieu à son manque d'homologation en vertu des normes de sécurité actuelles des véhicules automobiles, celle-ci ne doit pas être posée dans un véhicule qui sera utilisé sur une voie publique ou une autoroute. En outre, une telle application pourrait donner lieu à l'annulation de la garantie d'un tel véhicule sur route ou autoroute.

### Contenu de l'ensemble :

Article	Description	Quantité
1	Ensemble moteur	1
2	Instructions relatives au moteur	1

### Renseignements sur les composants :

Le concessionnaire de Chevrolet Performance Parts peut retrouver des renseignements techniques supplémentaires qui ne figurent pas dans le présent document sous l'EFC LS7 de la Corvette Z06 2013 de Chevrolet et ce, pour tous les composants. Lors de la réparation ou de l'entretien des articles ci-dessous, utiliser l'information relative au moteur de Corvette Z06 2013 de Chevrolet LS7.



**Pièces supplémentaires pouvant être requises :**

**Système de commande du moteur**

Les moteurs en caisse LS7 nécessite un système de commande de moteur et un faisceau de câbles offerts par les concessionnaires Chevrolet Performance. Vérifier auprès de votre concessionnaire ou sur le site Web [www.chevroletperformance.com](http://www.chevroletperformance.com) pour connaître les groupes de systèmes de commande actuellement offerts.

**Volant moteur**

Le moteur en caisse LS7 inclut un volant moteur, boîte de vitesses manuelle, à 168 dents, 14 pouces de la Corvette Z06.

**Roulement-guide**

**REMARQUE :** Le court roulement-guide est déjà posé, vérifier l'ajustement avant l'installation de la boîte de vitesses, sinon un dommage se produira.

Le roulement-guide aligne l'arbre primaire de la boîte de vitesses avec l'axe central du vilebrequin. Un roulement-guide usé ou désaligné peut provoquer des anomalies de changement de vitesse et une usure rapide de l'embrayage. Il existe deux roulements-guides différents pour le moteur LS7. Le roulement 14061685 pour un long arbre d'entrée et le roulement 12557583 pour un arbre d'entrée court.

**Démarrreur**

Le moteur en caisse LS7 n'inclut pas de démarrreur. Le numéro de pièce Chevrolet Performance Parts 10465385 correspond à cette application et est recommandé. Prière de consulter son concessionnaire Chevrolet Performance Parts pour obtenir les détails.

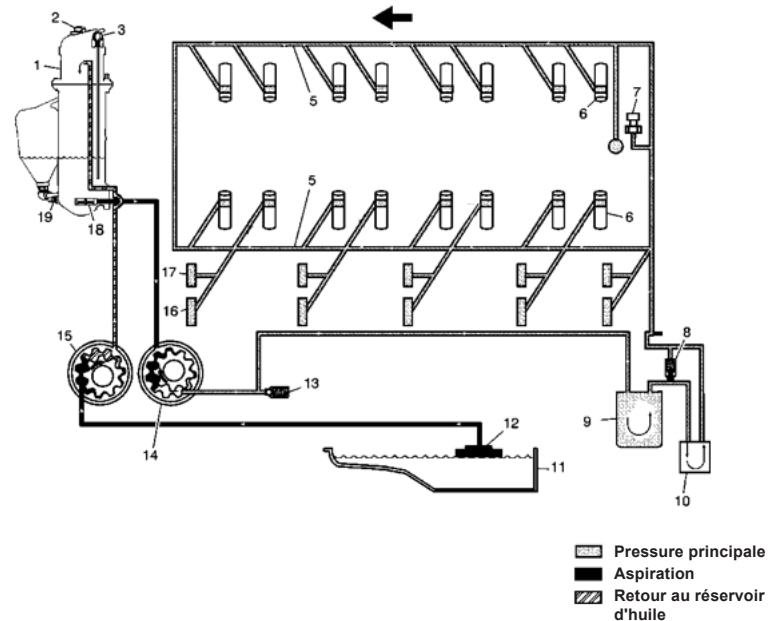
**Admission d'air**

Un filtre à air à faible restriction et à élément en mousse ou en papier devrait être utilisé pour protéger le moteur contre l'usure excessive. En outre, il se peut que certains filtres à air et systèmes d'admission soient recommandés pour le rendement optimal du système de commande du moteur.

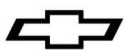
**Pompe à carburant**

Le moteur LS7 ne comprend pas de pompe à carburant. En règle générale, l'exigence du système d'injection multipoint est de 58 lb/po2 de pression constante; toutefois, vérifier l'information sur le système de commande du moteur pour prendre connaissance des recommandations afférentes. La pompe de carburant choisie doit avoir une capacité de 53 gallons par heure (gal/h) à la pression recommandée. Le numéro de pièces Chevrolet 19206466 est une pompe dans le réservoir qui répond à ces exigences, mais qui ne convient pas à toutes les applications. De nombreuses pompes de rechange sont également conformes à ces exigences. Chevrolet Performance offre un filtre à carburant / régulateur numéro de pièce 19239926 qui régulera la bonne pression de carburant.

**Circuit d'huile :**

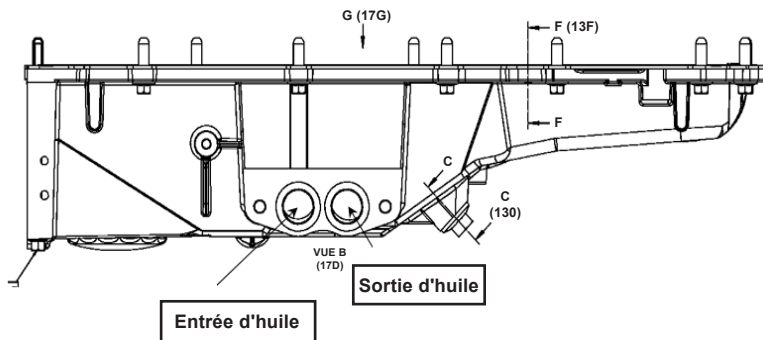


Le moteur en caisse LS7 fonctionne à carter sec (voir le schéma ci-dessous). Un réservoir d'huile distant et des conduites d'huiles appropriées sont requis pour ce type de pose (le réservoir d'huile d'origine de la Corvette est le numéro de pièce GM 12629421, illustré dans le schéma). Le numéro de pièce Chevrolet Performance 25534412 est une trousse d'adaptateur pour permettre l'utilisation de flexibles AN-12 au carter d'huile. Le moteur est lubrifié avec un ensemble pompe à huile type gérotor. L'ensemble pompe à huile est constitué de deux boîtiers de pompe, de deux jeux de roue dentée séparés et d'un détendeur de pression. Le jeu de roues dentées avant est celui de la pompe secondaire (15). Le jeu de roues dentées arrière est celui de la pompe principale (14). L'ensemble pompe est monté à l'avant du moteur et fonctionne par entraînement direct du pignon de vilebrequin. Les roues dentées de la pompe principale (14) tournent et aspirent l'huile du réservoir d'huile moteur (3) à travers la crépine du réservoir d'huile (18). L'huile est mise sous pression lorsqu'elle traverse la pompe principale, puis est envoyée dans les canalisations d'huile inférieures du bloc-moteur. La pompe principale contient un détendeur de pression (13) qui maintient la pression d'huile dans une plage définie. L'huile sous pression circule dans les canalisations d'huile inférieures du bloc-moteur jusqu'au filtre à huile plein débit (10) où sont piégés les contaminants dommageables. Une vanne de dérivation est intégrée dans le filtre à huile afin de permettre à l'huile de circuler en cas d'obstruction du filtre. L'huile quitte le filtre puis circule jusqu'au refroidisseur d'huile externe (1). Une vanne de dérivation (9) est intégrée dans l'ensemble refroidisseur d'huile en cas d'obstruction de la circulation d'huile dans le refroidisseur. L'huile quitte le refroidisseur d'huile puis circule jusqu'aux canalisations d'huile principales supérieures (6). L'huile du passage d'huile supérieur gauche est dirigée aux roulements (16) de vilebrequin, aux poussoirs de soupape 1, 3, 5 et 7 et aux roulements (17) d'arbre à cames. L'huile du passage d'huile supérieur droit est dirigée aux poussoirs de soupape 2, 4, 6 et 8. L'huile sort des poussoirs de soupape pour être ensuite pompée par l'entremise des tiges de poussée, pour lubrifier les culbuteurs de soupape et les tiges de soupape. L'huile



retourne dans le carter d'huile (11) où la pompe secondaire (15) aspire l'huile par une crépine de pompe à huile (12). La pompe secondaire (15) renvoie l'huile au réservoir d'huile moteur (3). L'ensemble réservoir d'huile moteur comprend l'indicateur de niveau d'huile (4), le bouchon de remplissage d'huile (5), la sonde de température d'huile (2), l'orifice d'air frais de recyclage des gaz de carter (RGC) et une crépine de pompe à huile remplaçable (18). Le capteur de pression d'huile moteur (8) est situé du côté arrière supérieur du moteur.

- |  |   |
|--|---|
| 1. Réservoir d'huile moteur                      | 11. Carter d'huile moteur               |
| 2. Bouchon de filtre à huile                     | 12. Crépine de pompe à huile            |
| 3. Indicateur de niveau d'huile                  | 13. Soupape de décharge - Pompe à huile |
| 4. N/D   | 14. Pompe à huile - primaire            |
| 5. Passages principaux d'huile moteur supérieurs | 15. Pompe à huile - secondaire          |
| 6. Pousoirs de soupape                           | 16. Roulements de vilebrequin           |
| 7. Capteur de pression d'huile                   | 17. Roulements d'arbre à cames          |
| 8. Soupape de dérivation - Refroidisseur d'huile | 18. Crépine de réservoir d'huile        |
| 9. Filtre à huile                                | 19. Sonde de température d'huile        |
| 10. Refroidisseur d'huile moteur                 |   |



### Supports d'entraînement des accessoires

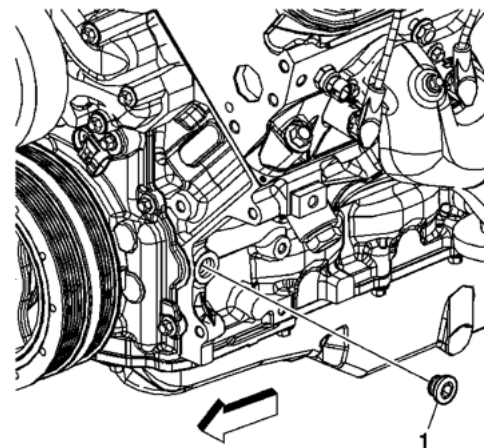
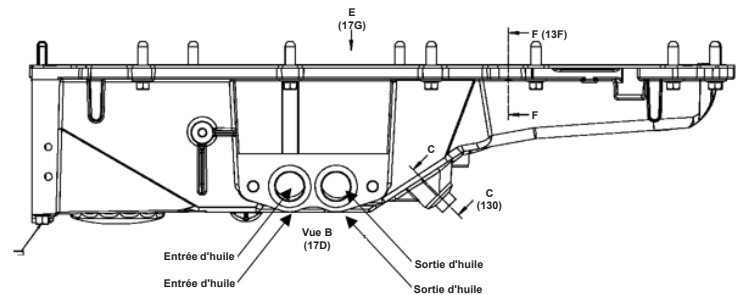
Pour être ajustées aux moteurs LS7, les trousse d'entraînement accessoires numéros de pièces 19155067 et 19155066 avec climatisation, ou 19299070 et 19257325 sans climatisation sont disponibles auprès de Chevrolet Performance. Ces trousse comprennent toute la quincaillerie et tous les composants nécessaires à la pose (y compris le compresseur de climatiser, la pompe de direction assistée et l'alternateur). Veuillez visiter le concessionnaire Chevrolet Performance ou visiter le site Web à l'adresse [www.chevroletperformance.com](http://www.chevroletperformance.com).

### Procédures de démarrage et de rodage :

**La sécurité d'abord. Si le véhicule est sur le sol, s'assurer que le frein de stationnement est engagé, que les roues sont calées et que le véhicule ne peut s'engager dans un rapport. Vérifier si tout est installé adéquatement et que rien ne manque.**

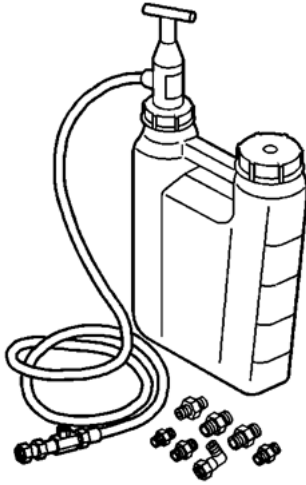
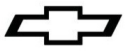
1. Ce moteur doit être rempli d'huile. Après avoir posé le moteur, s'assurer que le carter de vilebrequin a été rempli avec l'huile moteur appropriée jusqu'au niveau de remplissage d'huile recommandé sur la jauge graduée. Ces moteurs en caisse exigent une huile spéciale conforme à la norme DEXOS1 - 5W30. Vérifier le niveau de tous les autres liquides et remplir au besoin, comme le liquide de refroidissement, le liquide de direction assistée, etc.
2. Ce moteur DOIT être amorcé avec de l'huile avant le démarrage. L'utilisation de la trousse de prélubrificateur de moteur Kent-More J45299 constitue le processus d'amorçage privilégié.

Remarque : Pour amorcer correctement le moteur, il faut un débit régulier et continu d'huile moteur propre. S'assurer d'utiliser une huile moteur approuvée, comme il est indiqué.



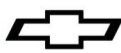
- A. Déposer le filtre d'huile du moteur et le remplir d'huile moteur propre.
- B. Poser le filtre à huile et serrer.
- C. Repérer et déposer le bouchon de galerie de graissage (1) avant gauche du bloc-moteur.
- D. Poser l'adaptateur M16 x 1,5 N/P 509375  
Pré-lubrificateur du moteur J 45299





- E. Poser le tuyau souple sur l'adaptateur et ouvrir la soupape.
- F. Pomper la poignée sur le prélubrificateur J45299 afin d'obtenir un débit minimum de 1 à 1,9 litre (1 à 2 quarts) d'huile moteur. Observer le débit de l'huile moteur par le tuyau souple et dans l'ensemble de moteur. Le moteur sera amorcé après qu'on ait constaté un petit changement dans la quantité de pression dans la jauge de pression d'huile pendant le pompage du J45299.
- G. Fermer la soupape et déposer le tuyau souple et l'adaptateur du moteur.
- H. Appliquer du produit d'étanchéité de filetage approuvé et poser le bouchon de galerie d'huile sur le moteur, puis serrer à 60 Nm (44 lb pi).
- Ajouter de l'huile moteur dans le réservoir jusqu'au bon niveau.
3. Démarrer le moteur et écouter afin de déceler la présence de bruits inhabituels. Si aucun bruit inhabituel n'est remarqué, laisser tourner le moteur à environ 1 000 tours par minute jusqu'à ce qu'il atteigne sa température de fonctionnement normale.
4. Lorsque cela est possible, vous devriez toujours permettre au moteur de se réchauffer avant de conduire. Une bonne pratique est de permettre à la température du carter d'huile et de l'eau d'atteindre 180°F avant de tirer de lourdes charges ou de faire des courses à accélération brusque.
5. Le moteur devrait être entraîné à différentes charges et dans différentes conditions les 30 premiers milles ou pendant une heure sans être au régime maximal (WOT) ou sans subir d'accélération brusques du nombre de tours par minute.
6. Effectuer cinq ou six accélérations à gaz moyens (50 %) jusqu'à environ 4 000 tr/min puis retourner à la marche au ralenti (0 % des gaz) en prise.
7. Effectuer deux ou trois accélérations dures (pleins gaz à 100 %) jusqu'à environ 4 000 tr/min puis retourner à la marche au ralenti (0 % des gaz) en prise.
8. Vidanger l'huile et remplacer le filtre. Vidanger l'huile en suivant les caractéristiques techniques présentées à l'étape 1 et remplacer le filtre avec un nouveau filtre à huile UPF48R AC Delco. Vérifier l'huile et le filtre à huile afin de repérer toute particule étrangère pour s'assurer que le moteur fonctionne correctement.
9. Conduire la prochaine distance de 500 milles (de 12 à 15 heures moteur) dans des conditions normales. Ne pas faire tourner le moteur à sa vitesse nominale maximale. De plus, ne pas exposer le moteur à des périodes prolongées de charge élevée.
10. Vidanger l'huile et remplacer le filtre. Vérifier l'huile et le filtre à huile de nouveau afin de repérer toute particule étrangère pour s'assurer que le moteur fonctionne correctement.

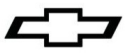




**Caractéristiques techniques du moteur LS7 :**

Type :	Petit bloc-moteur 7,0 L Gen IV V8
Cylindrée :	427 pouces cubes
Alésage x course :	4,125 po x 4,0 po
Compression :	11.0:1
Bloc :	Aluminium moulé, six boulons capuchons principaux boulonnés en croisé
Culasse :	Aluminium moulé, rectangulaire orifice
Diamètre des soupapes (admission et échappement) :	2,20 po titane / 1,61 po rempli de sodium
Volume de la chambre :	70 cc
Vilebrequin :	Acier forgé, interne équilibré
Bielles :	Titane forgé
Pistons :	Aluminium hypereutectique
Arbre à cames :	Poussoir à galet hydraulique
Levée :	0,595 po admission, 0,590 po échappement
Durée :	211° admission, 230° échappement à une levée de poussoir de 0,050 po
Axe central :	120,5° LSA
Rapport des culbuteurs :	1,8:1
Contenance en huile :	10,5 pintes (avec filtre) taille minimale du réservoir
Pression d'huile (minimale, avec huile chaude) :	24 psig à 1 000 tr/min 35 psig à 2 000 tr/min 38 psig à 3 000 tr/min
Huile recommandée :	DEXOS1
Filtre à huile :	N/P UPF48R d'AC Delco
Carburant :	Super sans plomb-92 (R+M/2)
Régime maximal du moteur :	7 000 tr/min
Bougies d'allumage :	GM 12571165 AC Delco n° 41-104
Écartement des électrodes :	0,040 po
Ordre d'allumage :	1-8-7-2-6-5-4-3

L'information peut varier selon l'application. Toutes les caractéristiques techniques énumérées sont basées sur les plus récentes données de production disponibles à la date d'impression.



## Especificaciones de motores armados LS7 EFI

Número de parte de especificaciones: 19329268

Gracias por elegir Chevrolet Performance como su fuente de alto desempeño. Chevrolet Performance está comprometido a proporcionar tecnología de desempeño comprobada e innovadora que en realidad... sea más que sólo potencia. Chevrolet Performance están diseñadas, desarrolladas y probadas para exceder sus expectativas de ajuste y función. Por favor consulte nuestro catálogo respecto al Centro Autorizado de Chevrolet Performance más cercano a usted o visite nuestra página en Internet [www.chevroletperformance.com](http://www.chevroletperformance.com).

Esta publicación brinda información general sobre los componentes y procedimientos que pudieran ser útiles al instalar o dar servicio a su motor armado. Por favor lea esta publicación completa antes de comenzar el trabajo.

Estos motores armados se ensamblan utilizando componentes nuevos de primera calidad. Utilizan tecnologías modernas como inyección de combustible, bobina de ignición individual por cilindro, y control de acelerador electrónico. Debido a la amplia gama de aplicaciones de bloque pequeño, si usted está actualizando una aplicación anterior de bloque pequeño, puede encontrar diferencias de instalación entre sus conjuntos de motor armado y la versión anterior. Estas diferencias pueden requerir modificaciones o componentes adicionales no incluidos con el motor, incluyendo sistemas de enfriamiento, combustible, eléctricos y del escape.

Se puede requerir trabajo de fabricación.

Los motores armados LS7 requieren un sistema de control del motor y arnés que están disponibles con su concesionario de Chevrolet Performance. Consulte con su concesionario o en [www.chevroletperformance.com](http://www.chevroletperformance.com) respecto a los paquetes del sistema de control que están disponibles actualmente. En general, el requerimiento del sistema de combustible es de una presión constante de combustible de 58 psi (400 kPa), pero revise la información que viene incluida con us sistema de control del motor para conocer el requerimiento de presión real. El motor armado LS7 requiere un mínimo de 50 gph de flujo en 58 psi (400 kPa).

No se pretende que estas especificaciones reemplace las prácticas de servicio completas y detalladas explicadas en los manuales de servicio GM.

Para información sobre cobertura de la garantía, por favor póngase en contacto con su concesionario local de Chevrolet Performance.

Observe todas las precauciones de seguridad y advertencias de los manuales de servicio durante la instalación de un motor armado en cualquier vehículo. Utilice protección para los ojos y ropa de protección adecuada. Cuando trabaje debajo o alrededor del vehículo, apóyelo firmemente con soportes de gato. Sólo use las herramientas adecuadas.

Tenga mucha precaución cuando trabaje con líquidos y materiales inflamables, corrosivos y peligrosos. Algunos procedimientos requieren equipo y habilidades especiales. Si no tiene la capacitación, experiencia, y herramientas apropiadas para realizar cualquier parte de esta conversión con seguridad, este trabajo debe ser realizado por un profesional.

### Información legal y sobre emisiones

Esta publicación ha sido diseñada para proporcionar información acerca del motor armado y componentes relacionados. Este manual también describe procedimientos y modificaciones que pudieran ser útiles durante la instalación de un motor armado LS7. No está diseñada para sustituir a los exhaustivos manuales de servicio y catálogos de partes que cubren los motores y componentes Chevrolet Performance. Más bien, está diseñada para brindar información complementaria en áreas de interés para los entusiastas del "hágalo usted mismo" y los mecánicos. Esta publicación concierne a motores y vehículos que se utilizan fuera de las carreteras públicas, excepto cuando se indica específicamente lo contrario. La ley federal restringe el retiro de cualquier parte de un sistema de control de emisiones requerido por orden federal de los vehículos de motor. Más aún, muchos estados han promulgado leyes que prohíben alterar o modificar cualquier sistema de control de emisiones o ruidos. Los vehículos que no son operados en carreteras públicas generalmente están exentos de la mayoría de las normas, al igual que algunos vehículos de interés especial y pre-emisiones. Se le exhorta atentamente al lector verificar todas las leyes locales y estatales aplicables. Muchas de las partes descritas o enlistadas en este manual se comercializan para para su aplicación fuera de carretera, y están etiquetadas con el "Aviso sobre Partes Especiales" que se reproduce aquí:

### Aviso sobre partes especiales

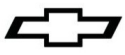
Esta parte ha sido diseñada específicamente para aplicación fuera de carretera únicamente. Debido que la instalación de esta parte puede afectar el desempeño del control de emisiones de su vehículo o dejarlo fuera de certificación según los Estándares de seguridad de vehículos de motor, no se debe instalar en un vehículo que se utilice en cualquier calle o carretera. Adicionalmente, cualquier aplicación tal puede afectar adversamente la cobertura de la garantía de tales vehículos para aplicación en calles o carreteras.

### Contenido del paquete:

Ítem	Descripción	Cantidad
1	Conjunto del motor	1
2	Instrucciones para el motor	1

### Información sobre los componentes:

Se puede encontrar información adicional de servicio no incluida en este documento con su concesionario Chevrolet Performance Parts bajo el vehículo Chevrolet Corvette Z06 2013, RPO LS7 para todos los componentes. Al dar servicio o reemplazar los artículos que aparecen más adelante, utilice información para un motor Chevrolet Corvette Z06 2013 LS7.



**Partes adicionales que se pueden necesitar:**

**Sistema de control del motor**

Los motores armados LS7 requieren un sistema de control del motor y arnés que están disponibles con su concesionario de Chevrolet Performance. Consulte con su concesionario o en [www.chevroletperformance.com](http://www.chevroletperformance.com) respecto a los paquetes del sistema de control que están disponibles actualmente.

**Volante**

El motor armado LS7 incluye un volante de inercia de transmisión manual de 168 dientes del Corvette Z06 14".

**Cojinete piloto**

**NOTA:** El cojinete piloto corto ya está instalado, verifique el ajuste antes de la instalación de la transmisión u ocurrirá daño.

El cojinete piloto alinea el eje de entrada de la transmisión con la línea central del cigüeñal. Un cojinete piloto gastado o mal alineado puede causar problemas con los cambios y un desgaste rápido del embrague. Hay dos diferentes cojinetes piloto para el motor LS7. 14061685 para eje de entrada largo y 12557583 para eje de entrada corto.

**Arrancador**

El motor armado LS7 no incluye un motor de arranque. El número de parte 10465385 de Chevrolet Performance Parts es compatible con esta aplicación y es recomendado. Consulte a su concesionario de Chevrolet Performance Parts para mayores detalles.

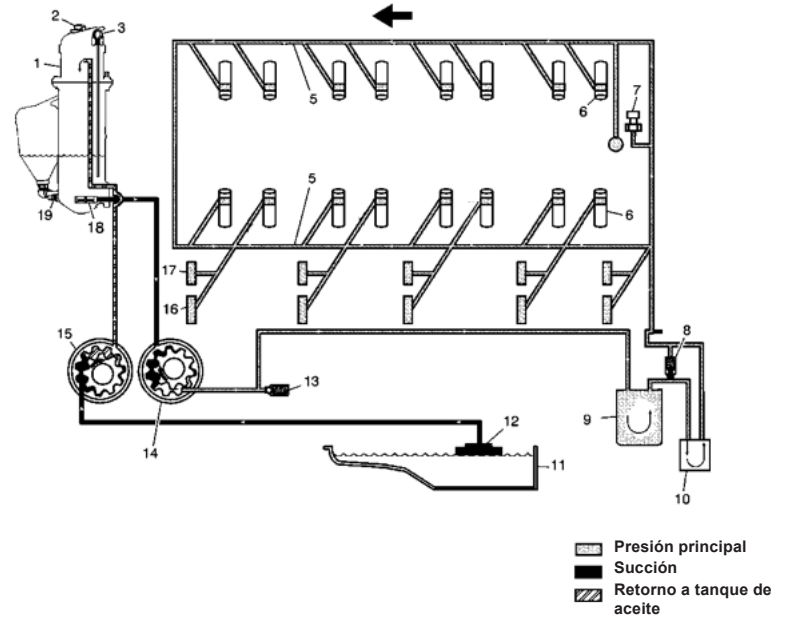
**Inducción de aire**

Para proteger el motor del desgaste excesivo se debe usar un filtro/depurador de aire de baja obstrucción con elemento de espuma o papel. Adicionalmente, su sistema de control del motor puede tener recomendaciones relativas a los depuradores de aire y sistemas de admisión para un mejor rendimiento.

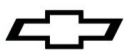
**Bomba de combustible**

El motor LS7 no incluye una bomba de combustible. Generalmente el requerimiento del sistema de inyección electrónica de combustible (EFI) es de 58 psi de presión constante, pero consulte la información de su sistema de control del motor para obtener la recomendación real. La bomba de combustible que seleccione debe ser capaz de 53 galones por hora (GPH) a la presión recomendada. El Número de parte Chevrolet 19206466 es una unidad dentro del tanque que cumple con estos requerimientos, pero tal vez no se adapte a todas las aplicaciones. Hay numerosas bombas en el mercado comercial que cumplen con estos requerimientos también. Chevrolet Performance ofrece un filtro/regulador de combustible número de parte 19239926 que regulará la presión correcta de combustible.

**Sistema de aceite:**

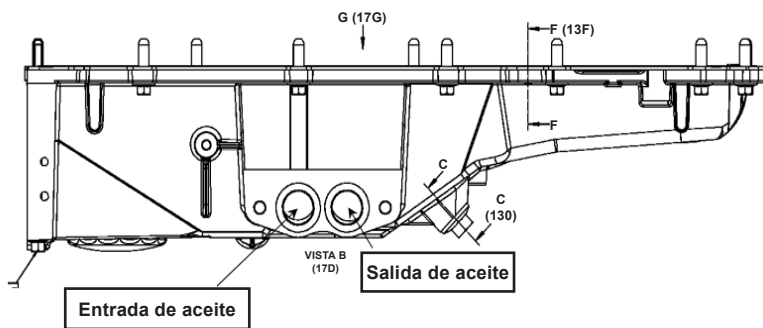


El motor armado LS7 está configurado como un sistema de lubricación de sumidero seco (vea el siguiente diagrama). Se requieren un tanque de aceite remoto y las líneas de aceite apropiadas para este tipo de instalación (el tanque de aceite del vehículo Corvette de producción es el número de parte GM 12629421 y se muestra en el diagrama). El No. de parte Chevrolet Performance 25534412 es un juego de adaptador para permitir el uso de mangueras AN-12 en el cárter de aceite. La lubricación del motor se suministra por un ensamble de bomba de aceite tipo gerotor. El ensamble de la bomba de aceite consiste en 2 alojamientos de bomba, 2 juegos de engrane separados, y 1 válvula de alivio de presión. El juego de engrane frontal o delantero es la bomba secundaria (15). El juego de engrane trasero o posterior es la bomba primaria (14). El ensamble de la bomba se instala al frente del motor y se acciona directamente por la corona dentada del cigüeñal. Los engranes de la bomba primaria (14) giran y succionan aceite desde el tanque de aceite del motor (3) a través del tanque de aceite (18). El aceite está presurizado conforme pasa a través de la bomba primaria y se envía a través de la galería de aceite inferior del bloque del motor. Dentro de la bomba primaria se encuentra la válvula de alivio de presión (13) que mantiene la presión de aceite dentro de un rango especificado. El aceite presurizado se dirige a través de la galería de aceite inferior del bloque del motor al filtro de aceite de flujo pleno (10) donde se retiran los contaminantes dañinos. Se incorpora una válvula de derivación en el filtro de aceite, que permite flujo de aceite en el caso que el filtro se restrinja. El aceite sale del filtro de aceite y después se dirige al enfriador de aceite externo (1). Una válvula de derivación (9) se incorpora en el ensamble del enfriador de aceite en el caso que el flujo de aceite dentro del enfriador se restrinja. El aceite regresa desde el enfriador de aceite y se dirige a las galerías superiores de aceite principal (6). El aceite de la galería de aceite superior izquierda se dirige a los cojinetes del cigüeñal (16), elevadores de válvula 1, 3, 5, y 7, cojinetes de árbol de levas (17). El aceite de la galería de aceite superior derecha se dirige a los elevadores de válvula 2, 4, 6 y 8. El aceite sale de los elevadores de válvula y después se bombea a través de las varillas de empuje para lubricar



los brazos de balancín de válvula y los vástagos de válvula. El aceite regresa al cárter de aceite (11), donde la bomba secundaria (15) succiona aceite a través de una pantalla de la bomba de aceite (12). La bomba secundaria (15) regresa aceite al tanque de aceite del motor (3). El indicador de nivel de aceite (4), la tapa de relleno de aceite (5), el sensor de temperatura de aceite (2), puerto de aire fresco de ventilación positiva del cárter (PCV), y una pantalla de bomba de aceite para servicio (18) están incorporados dentro del ensamble del tanque de aceite del motor. El sensor de presión de aceite del motor (8) se localiza en la parte superior trasera del ensamble del motor.

- |  |  |
|--|--|
| 1. Tanque de aceite de motor                   | 11. Sumidero de cárter de aceite                   |
| 2. Tapa de relleno de aceite                   | 12. Pantalla de bomba de aceite                    |
| 3. Indicador de nivel de aceite                | 13. Válvula de alivio de presión - Bomba de aceite |
| 4. N/A   | 14. Bomba de aceite - Primaria                     |
| 5. Galerías principales superiores de aceite   | 15. Bomba de aceite - Secundaria                   |
| 6. Elevadores de válvula                       | 16. Cojinetes de cigüeñal                          |
| 7. Sensor de presión de aceite                 | 17. Cojinetes de árbol de levas                    |
| 8. Válvula de derivación - Enfriador de aceite | 18. Pantalla de tanque de aceite                   |
| 9. Filtro de aceite                            | 19. Sensor de temperatura de aceite                |
| 10. Enfriador de aceite de motor               |  |



**Soportes de transmisión accesoria**

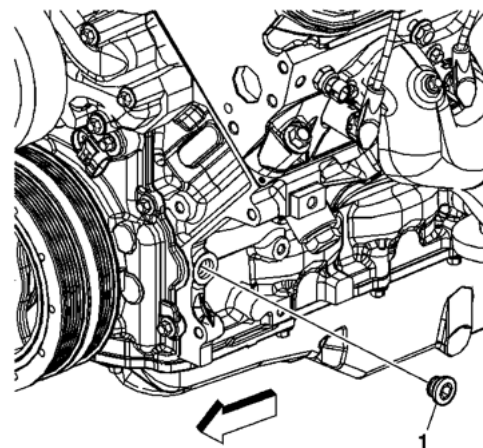
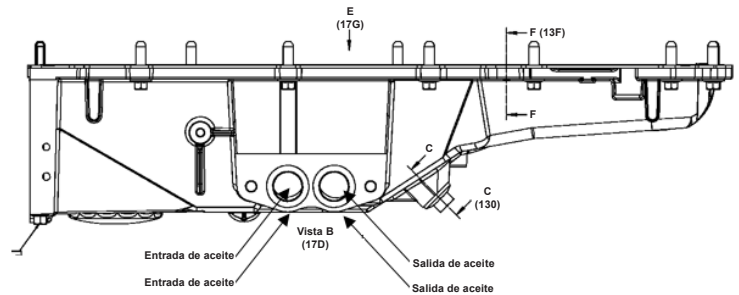
El Juego de transmisión auxiliar parte 19155067 y 19155066 con aire acondicionado o 19299070 y 19257325 sin aire acondicionado están disponibles a partir de Chevrolet Performance para instalarse en los motores LS7. Estos kits contienen todos los componentes y hardware necesarios para la instalación (incluye compresor de aire acondicionado, bomba de dirección hidráulica y alternador). Por favor consulte a su concesionario Chevrolet Performance o visítenos en Internet en [www.chevroletperformance.com](http://www.chevroletperformance.com).

**Procedimientos de arranque y de asentamiento:**

**La seguridad es primero, si el vehículo está en el suelo, asegúrese de poner el freno de emergencia y de que las ruedas y la transmisión estén bloqueadas. Verifique que todo esté instalado correctamente y que no falte nada.**

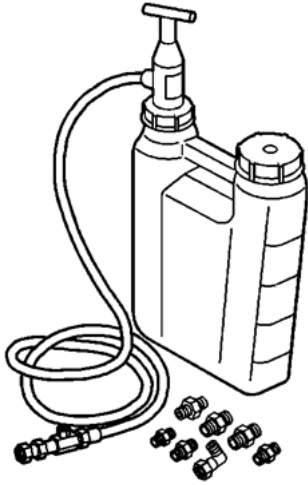
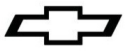
- Este conjunto del motor necesita llenarse con aceite. Después de instalar el motor, asegúrese de que el cárter haya sido llenado con el aceite para motor adecuado hasta el nivel de llenado de aceite recomendado en la varilla de nivel. Estos motores armados requieren un aceite especial que cumpla con DEXOS1 - 5W30. Revise también y llene según se requiera cualquier otro fluido necesario como refrigerante, fluido de la dirección hidráulica, etc.
- Se DEBE aplicar una capa de aceite a este motor antes de arrancar. El uso del juego de pre-lubricación de motor Kent-Moore J45299 es el proceso preferido para la aplicación de capa de aceite.

Nota: Se requiere un flujo constante y continuo de aceite de motor para cebar adecuadamente el motor. Asegúrese de usar aceite de motor aprobado, como se especifica.



- Retire el filtro de aceite del motor, y llene con aceite de motor limpio.
- Instale el filtro de aceite y apriete.
- Ubique y retire el bloque de motor izquierdo del tapón de la galería de aceite (1).
- Instale el adaptador M16 x 1.5 No. de parte 509375 Pre-lubricador de motor J 45299



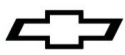


- E. Instale la manguera flexible al adaptador y abra la válvula.
- F. Bombee la manija del pre-lubricador J45299 para que fluya un mínimo de 1-1.9 litros (1-2 cuartos) de aceite de motor. Observe el flujo del aceite de motor a través de la manguera flexible y en el ensamble del motor. El motor se lubricará después de que se observe una pequeña cantidad de cambio de presión en el manómetro de aceite del vehículo mientras se bombea el J45299.
- G. Cierre la válvula y retire la manguera flexible y el adaptador del motor.
- H. Aplique sellador de rosca aprobado e instale el tapón de la galería de aceite al motor y apriete a 60 N•m (44 lb pie).

Rellene el tanque de aceite del motor al nivel adecuado.

- 3. Arranque el motor y escuche si percibe ruidos inusuales. Si no oye ruidos inusuales, acelere el motor a aproximadamente 1,000 RPM hasta alcanzar una temperatura de operación normal.

- 4. Cuando sea posible, siempre debe permitir que el motor se caliente antes de empezar a conducir. Es una buena práctica dejar que la temperatura del cárter del aceite y del agua llegue a 180°F antes de levantar cargas pesadas o de acelerar a fondo.
- 5. El motor se debe conducir con diversas cargas y en diferentes condiciones las primeras 30 millas o una hora sin acelerador completamente abierto (WOT) o sin aceleraciones sostenidas a RPM altas.
- 6. Acelere cinco o seis veces a la mitad (50%) hasta unas 4,000 RPM y regrese a marcha en vacío (0% aceleración) con la velocidad puesta.
- 7. Acelere dos o tres veces a fondo (100% acelerador completamente abierto) hasta unas 4,000 RPM y regrese a marcha en vacío (0% aceleración) con la velocidad puesta.
- 8. Cambie el aceite y el filtro. Cambie el aceite conforme a la especificación del paso 1, y reemplace el filtro con un filtro de aceite nuevo UPF48R AC Delco. Revise si el aceite o el filtro tiene partículas extrañas para asegurar que el motor funcione correctamente.
- 9. Conduzca las siguientes 500 millas (12 a 15 horas del motor) en condiciones normales. No opere el motor a su capacidad de velocidad máxima. De igual manera, no exponga el motor a periodos largos de carga pesada.
- 10. Cambie el aceite y el filtro. Nuevamente, revise si el aceite y filtro de aceite tienen partículas extrañas para asegurar que el motor funcione correctamente.



**Especificaciones del motor LS7:**

Tipo:.....	Bloque pequeño Generación IV 7.0L V8
Desplazamiento: .....	427 pulgadas cúbicas
Diámetro x Carrera: .....	4.125 pulgadas x 4.0 pulgadas
Compresión: .....	11.0:1
Bloque:.....	Aluminio fundido, seis pernos tapas principales atornilladas cruzadas
Culata del motor: .....	Rectangular de aluminio fundido puerto
Diámetro de válvula (Admisión/Escape):.....	2.20" Titanio/ 1.61" relleno con sodio
Volumen de la cámara: .....	70cc
Cigüeñal:.....	Acero forjado, internamente balanceado
Bielas:.....	Titanio forjado
Pistones:.....	Aluminio hipereutético
Árbol de levas .....	Levantador hidráulico del rodillo
Levantamiento: .....	0.595 " admisión, 0.590 " escape
Duración: .....	211° admisión, 230° escape @.050" de levantamiento hidráulico
Línea de centro:.....	120.5° LSA
Relación del brazo balancín:.....	1.8:1
Capacidad de aceite: .....	10.5 cuartos de galón (con filtro) tamaño de tanque mínimo
Presión de aceite (Mínima, con aceite caliente):.....	24 psig @ 1,000 RPM 35 psig @ 2,000 RPM 38 psig @ 3,000 RPM
Aceite recomendado: .....	DEXOS1
Filtro de aceite: .....	AC Delco parte # UPF48R
Combustible:.....	Premium sin plomo-92 (R+M/2)
Velocidad máxima del motor:.....	7,000 RPM
Bujías:.....	GM 12571165 AC Delco # 41-104
Distancia entre bujías: .....	040"
Orden de explosión:.....	1-8-7-2-6-5-4-3

La información puede variar según la aplicación. Todas las especificaciones enumeradas están basadas en la información sobre la última producción disponible al momento de la impresión.