

## Supermatic 8L90 Transmission Kit (24284055 and 24284063) Specifications

### Specifications Part Number 24284056

Thank you for choosing Chevrolet Performance as your high performance source. Chevrolet Performance is committed to providing proven, innovative performance technology that is truly.... more than just power. Chevrolet Performance parts are engineered, developed and tested to exceed your expectations for fit and function. Please refer to our catalog for the Chevrolet Performance Parts Authorized Center nearest you or visit our website at [www.chevroletperformance.com](http://www.chevroletperformance.com).

This publication provides general information on components and procedures that may be useful when installing or servicing a Supermatic Transmission. Please read this entire publication before starting work. Also, please verify that all of the components listed in the Package Contents section below were shipped in the kit.

The information below is divided into the following sections: package contents, component information, and Supermatic Transmission specifications, additional parts that you may need to purchase, torque specifications, and a service parts list.

It is not the intent of these specifications to replace the comprehensive and detailed service practices explained in the factory service manuals.

For information about warranty coverage, please contact your local Chevy Performance parts dealer.

Observe all safety precautions and warnings in the service manuals when installing a Supermatic Transmission in any vehicle. Wear eye protection and appropriate protective clothing. Support the vehicle securely with jack stands when working under or around it. Use only the proper tools. Exercise extreme caution when working with flammable, corrosive, and hazardous liquids and materials. Some procedures require special equipment and skills. If you do not have the appropriate training, expertise, and tools to perform any part of this conversion safely, this work should be done by a professional.

The information contained in this publication is presented without any warranty. All the risk for its use is entirely assumed by the user. Specific component design, mechanical procedures, and the qualifications of individual readers are beyond the control of the publisher, and therefore the publisher disclaims all liability incurred in connection with the use of the information provided in this publication.

#### **Legal and Emissions Information**

This publication is intended to provide information about the Supermatic Transmission and related components. This manual also describes procedures and modifications that may be useful during the installation of a Supermatic Transmission. It is not intended to replace the comprehensive service manuals and parts catalogs which cover Chevrolet engines and components. Rather, it is designed to provide supplemental information in areas of interest to "do-it-yourself" enthusiasts and mechanics.

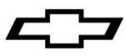
This publication pertains to transmissions and vehicles which are used off the public highways except where specifically noted otherwise. Federal law restricts the removal of any part of a federally required emission control system on motor vehicles. Further, many states have enacted laws which prohibit tampering with or modifying any required emission or noise control system. Vehicles which are not operated on public highways are generally exempt from most regulations, as are some special interest and pre-emission vehicles. The reader is strongly urged to check all applicable local and state laws.

Many of the parts described or listed in this manual are merchandised for off-highway application only, and are tagged with the "Special Parts Notice" reproduced here:

#### **Special Parts Notice**

This part has been specifically designed for Off-Highway application only. Since the installation of this part may either impair your vehicle's emission control performance or be uncertified under current Motor Vehicle Safety Standards, it should not be installed in a vehicle used on any street or highway. Additionally, any such application could adversely affect the warranty coverage of such an on-street or highway vehicle.

Chevrolet, Chevy, the Chevrolet Bow Tie Emblem, General Motors, and GM are all registered trademarks of the General Motors Company.



**Kit Contents:**

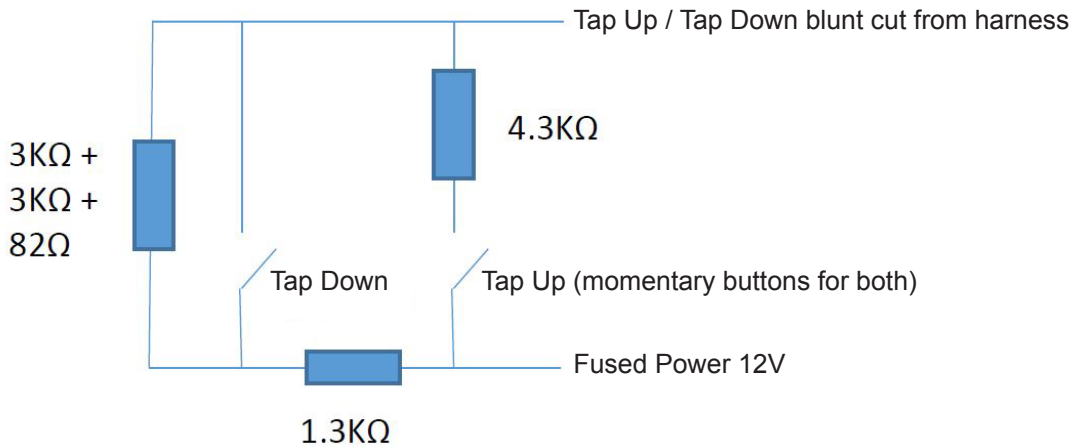
**Kit p/n 24284055**

- 24274274 - 8L90 Trans
- 24284056 - I-sheet
- 24284057 - Harness
- 24284058 - TCM

**Kit p/n 24284063**

- 24273554 - 8L90 Trans
- 24284056 - I-sheet
- 24284057 - Harness
- 24284064 - TCM

**Optional Tap Up/Down Feature**



**Approximate Fluid Capacities**

Application	Specification	
	Metric	English
8L90		
Pan Removal and Filter Replacement– Approximate Capacity	7.0 liters	7.4 quarts
Overhaul– Approximate Capacity (Transmission Volume Only)	10.3 liters	10.88 quarts
Complete Trans System– Approximate Capacity (Including Cooler Volume)	10.8 liters	11.41 quarts

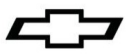
**NOTE: This transmission controller will only function when used in conjunction with the correct crate engine control system from Chevrolet Performance parts. Please verify the correct part number engine and engine controller is used with this kit. Refer to the Chevrolet Performance website or catalog for proper usage.**

**Transmission Fluid Fill Procedure**

**Special Tools**

- DT-45096 Transmission Oil Cooling System Flush and Flow Test Tool
- DT-45096-30 Transmission Cooler Flush Adapters
- DT-45096-40 Transflow Oil Fill Adapter
- DT-51190 Transmission Fluid Fill Adapter

For equivalent regional tools, refer to Special Tools.

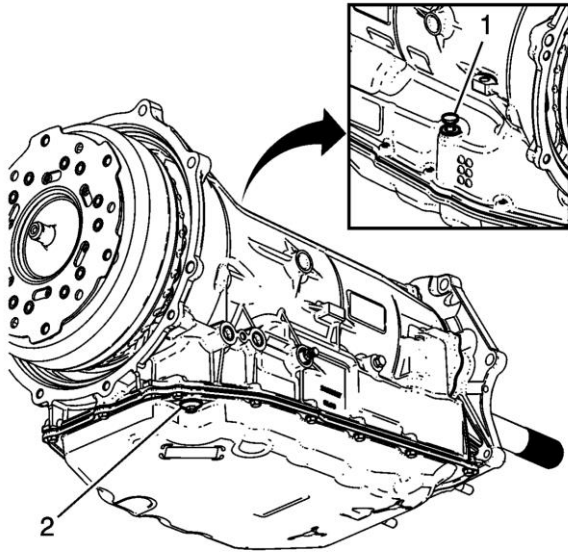


**Caution:** Use Dexron® HP transmission fluid only. Failure to use the proper fluid may result in transmission internal damage.

**Caution:** Check the transmission fluid level immediately after adding fluid and before vehicle operation. Do not overfill the transmission. An overfilled transmission may result in foaming or fluid to be expelled out the vent tube when the vehicle is operated. Overfilling will result in possible damage to the transmission.

Check the transmission fluid level, refer to Transmission Fluid Level and Condition Check.

### Fill Tube Plug Method

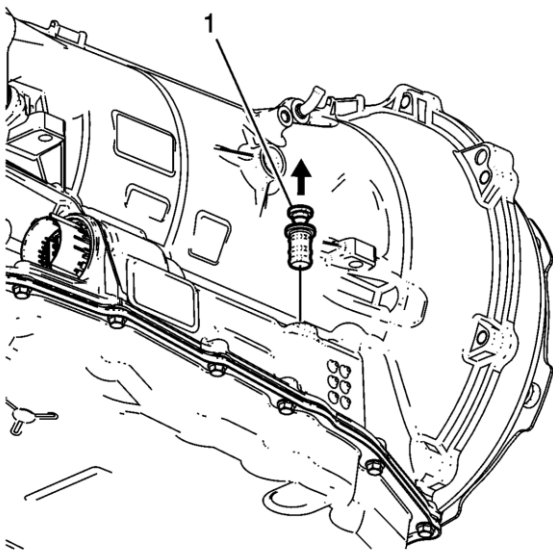


**Caution:** Use Dexron® HP transmission fluid only. Failure to use the proper fluid may result in transmission internal damage.

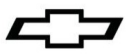
1. Based on accessibility, transmission fluid may be added through the fluid fill tube plug assembly (1) hole or through the oil level check plug (2) hole in the bottom of the transmission fluid pan.

**Caution:** Before removing the transmission fluid fill tube plug assembly, thoroughly clean around the plug to prevent dirt or contaminants from entering the transmission during plug removal. Use compressed air to dislodge any caked dirt that may be stuck on and around the plug area. Use a mirror to confirm the area is free of dirt before removing the plug. Failure to clean around the plug may result in transmission contamination.

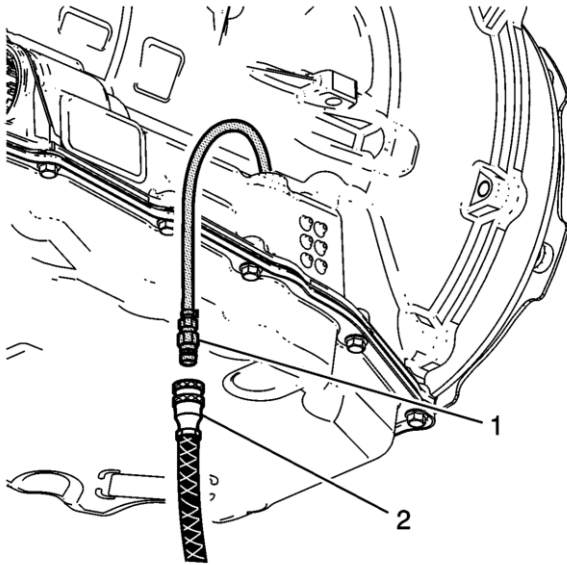
2. Clean around the fluid fill tube plug (1).



**Note:** It may be necessary to use a long pair of 90 degree needle nose pliers to lift the plunger and remove the plug assembly.



1. Unlock the fill tube plug by lifting the plunger. Once the plunger is lifted, remove the entire plug assembly (1).
2. Determine the approximate amount of fluid needed to fill the transmission, based on the repair performed. Refer to Approximate Fluid Capacities. To avoid an under-fill condition, slightly overfill the transmission, and then allow the extra fluid to drain out through the oil level check plug during the transmission fluid level and condition check procedure.

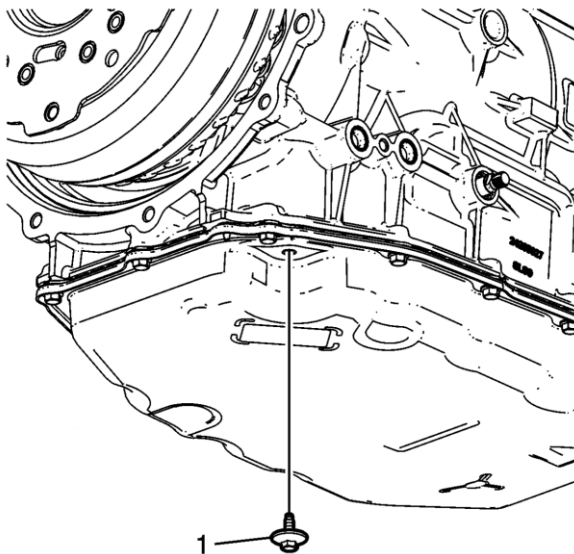


**Note:** The DT-45096 flush and flow test tool is being utilized as a convenient method to pump the fluid into the bottom pan. A suitable hand pump may also be used instead. When using the DT-45096 flush and flow test tool, monitor the display panel to determine the amount of fluid being pumped from the tool supply tank into the transmission.

3. Using the DT-45096-40 transflow oil fill adapter (1) and the DT-45096 flush and flow test tool (2), or a suitable hand pump, add transmission fluid through the fill tube plug opening. Refer to Transmission Fluid Cooler Flushing and Flow Test for complete DT-45096 flush and flow test tool operating instructions. Use the FLOW position on the main function switch to pump the fluid.

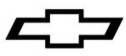
**Caution:** Check the transmission fluid level immediately after adding fluid and before vehicle operation. Do not overfill the transmission. An overfilled transmission may result in foaming or fluid to be expelled out the vent tube when the vehicle is operated. Overfilling will result in possible damage to the transmission.

#### Check Plug Method

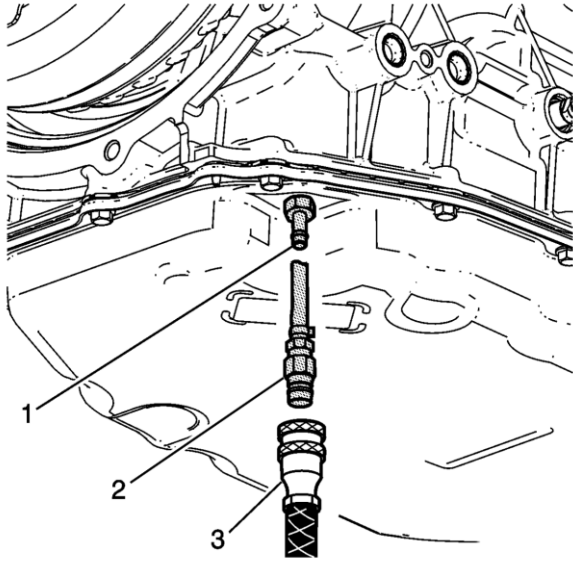


**Caution:** Use Dexron® HP transmission fluid only. Failure to use the proper fluid may result in transmission internal damage.

**Note:** When the oil level check plug is removed with the engine OFF, transmission fluid may drain from the hole.



1. Remove the oil level check plug.



2. Install the DT-51190 fluid fill pan adapter (1) and, if necessary, one adapter from the DT 45096-30 cooler flush adapters (2).
3. Determine the approximate amount of fluid needed to fill the transmission, based on the repair performed. Refer to Approximate Fluid Capacities. To avoid an under-fill condition, slightly overfill the transmission, and then allow the extra fluid to drain out through the oil level check plug during the transmission fluid level and condition check procedure.  
**Note:** The DT-45096 flush and flow test tool is being utilized as a convenient method to pump the fluid into the bottom pan. A suitable hand pump may also be used instead. When using the DT-45096 flush and flow test tool, monitor the display panel to determine the amount of fluid being pumped from the tool supply tank into the transmission.
4. Using the DT-51190 fluid fill pan adapter (1), DT-45096-30 cooler flush adapters (2), and the DT-45096 flush and flow test tool (3), add transmission fluid through the check plug hole. Refer to Transmission Fluid Cooler Flushing and Flow Test for complete DT-45096 operating instructions. Use the FLOW position on the main function switch to pump the fluid.  
**Note:** Failure to start the engine and move the shift lever through the gear ranges before removing the DT-51190 fluid fill pan adapter and DT-45096-30 cooler flush adapters from the bottom pan will result in an excess amount of fluid draining from the check plug hole. This may lead to an under-fill condition.
5. Start the engine and move the shift lever through each gear range. Pause for at least 3 seconds in each gear range.  
**Caution:** Check the transmission fluid level immediately after adding fluid and before vehicle operation. Do not overfill the transmission. An overfilled transmission may result in foaming or fluid to be expelled out the vent tube when the vehicle is operated. Overfilling will result in possible damage to the transmission.
6. With the engine still running, remove the DT-51190 fluid fill pan adapter (1), (2), and DT-45096 flush and flow test tool (3) and then check the fluid level. Refer to Transmission Fluid Level and Condition Check.

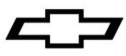
### **Transmission Adaptive Functions**

The Hydra-Matic® 8-Speed RWD transmission utilizes a line pressure control system during upshifts to compensate for new transmission build variation and the normal wear of transmission components. New transmission to transmission variation and normal wear of the apply components within the transmission over time can cause shift time (the time required to apply a clutch) to be longer or shorter than desired. In order to compensate for these changes, the transmission control module (TCM) adjusts the pressure commands to the various pressure

control (PC) solenoids, to maintain the originally calibrated shift timing. The automatic adjusting process is referred to as “adaptive learning” and it is used to ensure consistent shift feel plus increase transmission durability. The TCM monitors the A/T input speed sensor (ISS) and the A/T output speed sensor (OSS) during commanded shifts to determine if a shift is occurring too fast (harsh) or too slow (soft) and adjusts the corresponding PC solenoid signal to maintain the set shift feel.

The purpose of the adapt function is to automatically compensate the shift quality for the various vehicle shift control systems. The adapt function is a continuous process that will help to maintain optimal shift quality throughout the life of the vehicle.





## Transmission General Description

The Hydra-matic 8-Speed RWD is a fully automatic, 8-speed, rear-wheel drive, electronic-controlled transmission. The eight speed ratios are generated using four simple planetary gearsets, two brake clutches, and three rotating clutches. The resultant on-axis transmission architecture utilizes a squashed torque converter, an off-axis pump and four close coupled gearsets. The three rotating clutches have been located forward of the gearsets to minimize the length of oil feeds which provides for enhanced shift response. There are different variants of the transmission, all based on torque capacity. Architecture is common between the variants, and component differences are primarily related to size.

The transmission architecture features a case with integral bell housing for enhanced powertrain stiffness. A unique pump drive design allows for off-axis packaging very low in the transmission. The pump is a binary vane type which effectively allows for two pumps in the packaging size of one. This design and packaging strategy not only enables low parasitic losses and optimum priming capability but also provides for ideal oil routing to the controls system, with the pump located in the valve body itself. The transmission control module (TCM) is externally mounted, enabling packaging and powertrain integration flexibility. The controller makes use of three speed sensors which provide for enhanced shift response and accuracy.

The 4-element torque converter contains a pump, a turbine, a pressure plate splined to the turbine, and a stator assembly. The torque converter acts as a fluid coupling to smoothly transmit power from the engine to the transmission. It also hydraulically provides additional torque multiplication when required. The pressure plate, when applied, provides a mechanical direct drive coupling of the engine to the transmission.

The planetary gear sets provide the 8 forward gear ratios and reverse. Changing gear ratios is fully automatic and is accomplished through the use of a transmission control module (TCM). The TCM receives and monitors various electronic sensor inputs and uses this information to shift the transmission at the optimum time.

The hydraulic system primarily consists of an off-axis chain-driven binary vane-type pump located in the valve body, and 2 control valve body assemblies. The pump maintains the working pressures needed to stroke the clutch pistons that apply or release the friction components. These friction components, when applied or released, support the automatic shifting qualities of the transmission.

The friction components used in this transmission consist of 5 multiple disc clutches. The multiple disc clutches deliver 7 different gear ratios, 8 forward and one reverse, through the gear sets. The gear sets then transfer torque through the output shaft.

The transmission may be operated in any of the following gear ranges:

### **PARK (P)**

This position locks the rear wheels and prevents the vehicle from rolling either forward or backward. PARK is the best position to use when starting the vehicle. Because the transmission utilizes a shift lock control system, it is necessary to fully depress the brake pedal before shifting out of PARK. For safety reasons, use the parking brake in addition to the PARK position.

### **REVERSE (R)**

This position allows the vehicle to be operated in a rearward direction.

### **NEUTRAL (N)**

This position allows the engine to be started and operated while driving the vehicle. If necessary, you may select this position in order to restart the engine with the vehicle moving. This position should also be used when towing the vehicle.

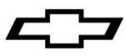
### **DRIVE (D)**

Drive range should be used for all normal driving conditions for maximum efficiency and fuel economy. Drive range allows the transmission to operate in each of the 8 forward gear ratios. Downshifts to a lower gear, or higher gear ratio, are available for safe passing by depressing the accelerator or by manually selecting a lower gear in the manual mode range.

### **MANUAL (M) SPORT MODE (S)**

This position allows the driver to utilize the Driver Shift Control (DSC) system, or manual mode. When the shift selector lever is moved to the M/S position, the driver may select upshifts or downshifts by using the paddle switches located on the steering wheel. An upshift is requested by pushing either + button forward. A downshift is requested by pulling either + button rearward toward the driver.

To protect the engine or transmission from damage, the TCM will only allow you to shift into a gear appropriate for engine speed and vehicle speed.



## Condition

Some customers may comment on low mileage vehicles with an automatic transmissions that the shifting may feel too firm (harsh), slips, or flares. Customers should be advised that the transmission makes use of an adaptive function that will help to refine the shift feel while driving and improve shift quality.

## Correction

The following should be used to determine what steps should be followed within this document. The 8-Speed transmission utilizes a total of 5 clutches to obtain all the ratios. Utilize the chart within this document to determine which clutch may require additional adaptive learning.

- If a transmission replacement was required, reset the adapts using Service Fast Learn. Evaluate the shifts and further learn pressures and volumes if required.
- If a customer has a specific shift concern, the Service Fast Learn should be skipped. Complete the driving learn procedure to further learn pressures and volumes for the complaint shift.

## Transmission Adaptive Functions

The Hydra-Matic® 8-Speed RWD transmission utilizes a line pressure and volume control system during upshifts to compensate for new transmission build variation as well as the normal wear of transmission components. The variation from new and normal wear of the apply components within the transmission over time can cause shift time (the time required to apply a clutch) to be longer or shorter than desired.

In order to compensate for these changes, the transmission control module (TCM) adjusts the pressure commands to the various pressure control (PC) solenoids to maintain the originally calibrated shift timing. The automatic adjusting process is referred to as “adaptive learning” and it is used to ensure consistent shift feel plus increase transmission durability.

The TCM monitors the A/T input speed sensor (ISS) and the A/T output speed sensor (OSS) during commanded shifts to determine if a shift is occurring too fast (harsh) or too slow (soft) and adjusts the corresponding PC solenoid signal to maintain the set shift feel. The purpose of the adapt function is to automatically compensate the shift quality for the various vehicle shift control systems. The adapt function is a continuous process that will help to maintain optimal shift quality throughout the life of the vehicle.

## How to Adapt Your Transmission

Transmission adapts can be reset and relearned on most vehicles through GDS 2 by using the Transmission Service Fast Learn procedure. This procedure is completed in the service stall and no vehicle driving is required.

To complete the Transmission Service Fast Learn procedure, enter GDS 2 Diagnosis and navigate to:

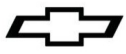
- Module diagnostics
- Transmission Control Module
- Configuration / Reset Function
- Transmission Service Fast Learn

Transmission Service Fast Learn is the recommended method to reset and relearn adapts. This procedure is available on all 2016 MY Trucks, Cars and SUVs with 8L45 and 8L90 Automatic Transmissions (RPOs: M5U, M5T, M5N, M5X).

When the Service Fast Learn is complete, perform a test drive and note any soft or harsh shifts.

To improve these complaint shifts further, locate the clutches that need to be learned in the following table below, and perform the required learning procedure for each clutch listed in the chart. Execute the steps below with the vehicle warmed up on a smooth level road. The driver may observe a brief pulse behavior or firm shift feel while the transmission is optimizing the clutch learn characteristics.

**Note:** The transmission fluid temperature must be between 35°C (95°F) and 95°C (203°F). Drive vehicle under normal conditions until this temperature range is achieved. If temperature is outside this range the clutches will not be learned.



Learn These Clutches

To Correct The Shift Feel	Applying Clutch	Releasing Clutch
1-2	C4	C3
2-3	C3	C1
3-4	C5	C3
4-5	C3	C4
5-6	C4	C2
6-7	C1	C4
7-8	C4	C3
3-1	C1	C4
2-1	C3	C4
N-D	C3 – Perform garage shift adaptive learning	
N-R	C5 – Perform garage shift adaptive learning	
Power Downshifts	Just perform the shifts and they will adapt	

**Note:** If the harsh shift is noted when the vehicle is coming to a stop and shifting into 1st gear, this downshift is most likely a 3-1 shift.

**Note:** This sequence is MY 2016 specific and varies from MY 2015. The following adaptive learning procedure was developed to further learn clutch pressures and volumes required for specific shifts. To expedite the learning process, it is recommended to utilize a road with minimal traffic volume that has as smooth and level surface as possible.

**To Learn C1 (For 6-7 or 3-1 Shift)**

1. Pressure Learns:

**Note:** It is recommended to utilize a road with a speed limit between of 30-45 mph (48-72 km/h) for this procedure.

- Shift the transmission into 6th gear with the PRNDM in the M position. Obtain an engine speed between 1000 and 1600 engine rpm. Maintain this condition for a total of about 5 miles (8 km). Cruise control may be used and has been found to result in faster learning of the clutch values.

2. Volume Learns:

- Complete 15 light throttle 6-7 upshifts at approximately 15% throttle to further learn C1.

**To Learn C2 (For 6-5 Shift)**

1. Pressure Learns:

**Note:** It is recommended to utilize a road with a speed limit 40-45 mph (64-72 km/h) for this procedure.

- Perform 10 normal mode 6-5 coast down shifts (zero/light brake) to learn the C2 Return Spring pressure.

2. Volume Learns:

- Shift the transmission into 8th gear with the PRNDM in the M position. Obtain an engine speed between 1000 and 1750 rpm. Maintain this condition for a total of about 5 miles (8 km). Cruise control may be used and has been found to result in faster learning of the clutch values.

**To Learn C3 (For 2-3, 4-5, or N-D Shift)**

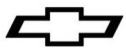
1. Pressure Learns:

- Perform 10 normal mode 8-7 coast down shifts (zero/light brake) to learn the C3 Return Spring.

2. Volume Learns:

- Complete 15 light throttle 2-3 upshifts at approximately 15% throttle to further learn C3.





### To Learn C4 (For 1-2, 5-6, or 7-8 Shift)

1. Pressure Learns:

**Note:** It is recommended to utilize a road with a speed limit between of 40-45 mph (64-72 km/h) for this procedure.

- Shift the transmission into 7th gear with the PRNDM in the M position. Obtain an engine speed between 1000 and 1750 rpm. Maintain this condition for a total of about 5 miles (8 km). Cruise control may be used and has been found to result in faster learning of the clutch values.

2. Volume Learns:

- Complete 15 light throttle 1-2 upshifts at approximately 15% throttle to further learn C4.

### To Learn C5 (For 3-4 or N-R Shift)

1. Pressure Learns:

**Note:** It is recommended to utilize a road within a Business Park or similar area, where it is safe to drive at very slow speeds of approximately 5-25 mph (8-40 km/h).

- Shift the transmission into 3rd gear with the PRNDM in the M position. Start a very slow acceleration, starting at about 1000 rpm. Maintain the slow acceleration until you reach about 2500 rpm. Once you reach 2500 rpm, slow back down to 1000 rpm and repeat the slow acceleration up to 2500 rpm. Repeat this 10 times.

2. Volume Learns:

- Complete 15 light throttle 3-4 upshifts at approximately 15% throttle to further learn C5.

### Power Downshift Adaptive Learning

Starting with the vehicle operation in 8th gear, slowly apply pressure to the accelerator pedal until downshift occurs. Repeat as necessary in each gear (8, 7, 6, 5, 4, 3 and 2).

**Note:** This procedure will learn the off-going clutch adapts for desired power downshift control.

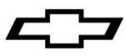
### Garage Shift Adaptive Learning (For N-D or N-R Shift)

1. Pressure Learns:

- Perform 10 normal mode 8-7 coast down shifts (zero/light brake) to learn the C3 Return Spring.

2. With the vehicle at a stop, hold foot on brake pedal and move the shifter from Neutral to Drive and Neutral to Reverse. Repeat as necessary until desired shift quality is achieved.

**Note:** This procedure will learn the C13567 (C3-Drive) and C45678R (C5 – Reverse) oncoming clutch adapts.



## Caractéristiques de la trousse de boîte de vitesses Supermatic 8L90 (24284055 et 24284063)

### Numéro de pièce des caractéristiques techniques 24284056

Nous vous remercions d'avoir choisi Chevrolet Performance comme source de haute performance. Chevrolet Performance s'est engagée à offrir une technologie de rendement éprouvée et novatrice qui est réellement... beaucoup plus que de la puissance. Les pièces de Chevrolet Performance ont été conçues, élaborées et mises à l'essai de manière à dépasser vos attentes de réglage précis et de fonction. Veuillez vous reporter à notre catalogue pour connaître le centre Chevrolet Performance Parts autorisé le plus près de chez vous ou visitez notre site Web à [www.chevroletperformance.com](http://www.chevroletperformance.com).

La présente publication offre de l'information générale sur les composants et les procédures pouvant s'avérer utiles lors de la pose ou de l'entretien d'une boîte de vitesses Supermatic. Veuillez lire en entier la présente publication avant de commencer à travailler. Veuillez également vérifier que tous les composants énumérés dans la section Contenu de l'ensemble ci-dessous ont été envoyés avec la trousse.

L'information ci-dessous est divisée dans les sections suivantes : contenu de l'ensemble, renseignements sur les composants, et caractéristiques techniques de la boîte de vitesses Supermatic, pièces supplémentaires que vous devez peut-être acheter, spécifications de couple et une liste de pièces de rechange.

Ces caractéristiques techniques ne sont pas destinées à remplacer les pratiques d'entretien complètes et détaillées expliquées dans les manuels de réparation d'usine.

Pour obtenir de l'information sur l'étendue de la garantie, prière de communiquer avec le concessionnaire Chevy Performance Parts local.

Observer toutes les précautions et tous les avertissements en matière de sécurité présentés dans les manuels de réparation au moment de poser une boîte de vitesses Supermatic dans n'importe quel véhicule. Porter un protecteur pour la vue et des vêtements de protection appropriés. Soutenir fermement le véhicule avec des chandelles au moment de travailler sous le véhicule ou autour de celui-ci. Utiliser seulement les outils appropriés. Faire preuve d'extrême prudence lors de travaux avec des liquides ou des matériaux inflammables, corrosifs ou dangereux. Certaines procédures nécessitent l'utilisation d'un équipement spécial et des habiletés particulières. Si vous ne possédez pas la formation, l'expertise et les outils nécessaires pour effectuer toute partie de cette conversion en toute sécurité, ce travail devrait être réalisé par un professionnel.

Les renseignements contenus dans cette publication sont présentés sans aucune garantie. Tout risque encouru pendant l'utilisation de cette publication est entièrement assumé par l'utilisateur. La conception de composant spécial, les procédures mécaniques et les qualifications de chaque lecteur sont hors du contrôle de l'éditeur et c'est pourquoi il décline toute responsabilité afférente en lien avec l'utilisation des renseignements fournis dans cette publication.

### **Information juridique et relative aux émissions**

La présente publication a pour objet d'offrir des renseignements sur la boîte de vitesse Supermatic et les composants connexes. Le présent manuel décrit également les procédures et les modifications pouvant être utiles pendant la pose d'une boîte de vitesses Supermatic. Ces renseignements ne sont pas destinés à remplacer les manuels de réparation complets et les catalogues de pièces en matière de moteurs et de composants de Chevrolet. Plutôt, cette publication a été conçue pour offrir des renseignements supplémentaires sur les matières pouvant intéresser les « bricoleurs » et les mécaniciens.

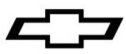
Cette publication s'applique aux boîtes de vitesses et aux véhicules qui sont utilisés hors des voies publiques, sauf indication contraire expresse. Les règlements fédéraux restreignent la dépose des véhicules automobiles de toute partie d'un système antipollution exigé par la loi fédérale. En outre, de nombreux États ont établi des lois qui interdisent le trafiquage ou la modification de tout système antipollution ou antibruit exigé par la loi. En règle générale, les véhicules qui ne roulent pas sur les voies publiques, tout comme certains véhicules d'intérêt spécial et pré-émissions, sont exempts de la plupart de la réglementation. On suggère fortement au lecteur de consulter tous les règlements municipaux et provinciaux applicables.

Plusieurs des pièces qui sont décrites ou énumérées dans le présent manuel sont commercialisées pour des application hors route seulement et elles portent l'étiquette « Special Parts Notice » (avis sur les pièces spéciales) qui est reproduite ici.

### **Avis spécial sur les pièces**

Cette pièce a été conçue spécifiquement pour une application hors route seulement. Puisque la pose de cette pièce pourrait nuire au rendement antipollution du véhicule ou donner lieu à son manque d'homologation en vertu des normes de sécurité actuelles des véhicules automobiles, celle-ci ne doit pas être posée dans un véhicule qui sera utilisé sur une voie publique ou une autoroute. En outre, une telle application pourrait donner lieu à l'annulation de la garantie d'un tel véhicule sur route ou autoroute.

Chevrolet, Chevy, l'emblème Chevrolet, General Motors et GM sont des marques déposées de General Motors.



**Contenu de la trousse :**

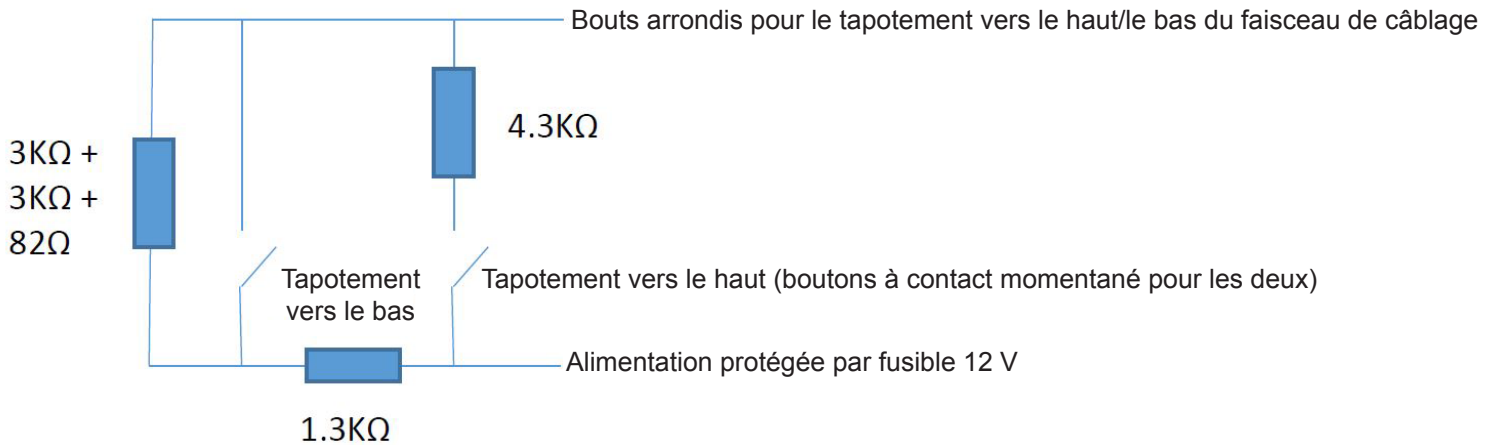
**Trousse N/P 24284055**

- 24274274 - Boîte de vitesses 8L90
- 24284056 - Fiche d'information
- 24284057 - Faisceau de câbles
- 24284058 - TCM

**Trousse N/P 24284063**

- 24273554 - Boîte de vitesses 8L90 Trans
- 24284056 - Fiche d'information
- 24284057 - Faisceau de câbles
- 24284064 - TCM

**Fonction de tapotement vers le haut/le bas en option**



**Capacités de liquide**

Application	Caractéristique	
	Métrique	Impériale
8L90		
Dépose du carter et remplacement du filtre – Capacité approximative	7,0 litres	7,4 pintes
Révision générale – Capacité approximative (volume de la boîte de vitesses seulement)	10,3 litres	10,88 pintes
Système de transmission complet – Capacité approximative (incluant le volume du refroidisseur)	10,8 litres	11,41 pintes

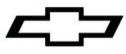
**REMARQUE :** ce contrôleur de boîte de vitesses fonctionne uniquement lorsqu'il est utilisé en conjonction avec le système de contrôle de moteur provenant des pièces Chevrolet Performance. Veuillez vérifier que les bons numéros de pièce de moteur et de contrôleur de moteur sont utilisées avec cette trousse. Veuillez vous reporter au site Web Chevrolet Performance ou au catalogue pour une utilisation correcte.

**Procédure de remplissage du liquide de boîte de vitesses**

**Outils spéciaux**

- DT-45096 Outil de rinçage et de test de débit du circuit de refroidissement de liquide de boîte de vitesses
- DT-45096-30 Adaptateur de rinçage du refroidisseur de la boîte de vitesses
- DT-45096-40 Adaptateur de remplissage d'huile Transflow
- DT-51190 Adaptateur de remplissage de liquide de boîte de vitesses

Pour les outils régionaux équivalents, se reporter à Outils spéciaux.

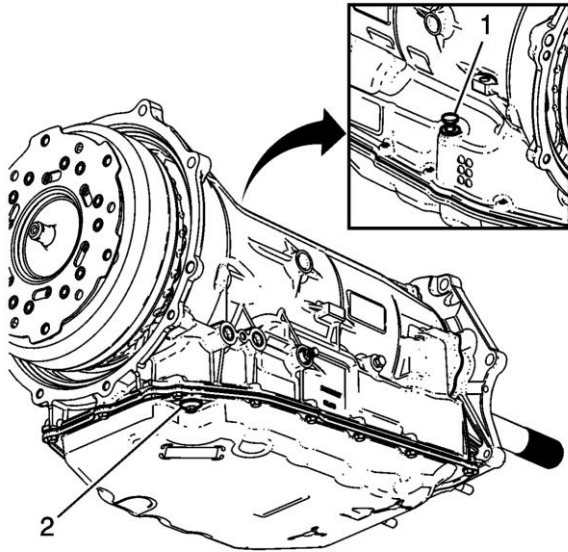


**Mise en garde :** Utiliser uniquement du liquide de boîte de vitesses Dexron® HP. L'emploi d'un liquide incorrect peut provoquer des dégâts internes à la boîte de vitesses.

**Mise en garde :** Vérifier le niveau de liquide de boîte de vitesses immédiatement après l'ajout du liquide et avant le fonctionnement du véhicule. Ne pas remplir excessivement la boîte de vitesses. Un remplissage excessif de la boîte de vitesses peut provoquer un moussage ou une expulsion de liquide par le tube d'évent lorsque le véhicule est utilisé. Un remplissage excessif peut endommager la boîte de vitesses.

Vérifier le niveau de liquide de la boîte de vitesses, se reporter à vérification du niveau et de l'état du liquide de boîte de vitesses.

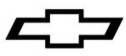
#### Méthode bouchon du tube de remplissage



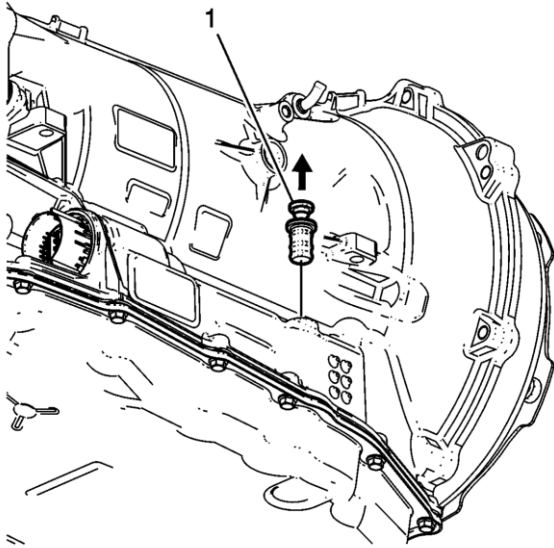
**Mise en garde :** Utiliser uniquement du liquide de boîte de vitesses Dexron® HP. L'emploi d'un liquide incorrect peut provoquer des dégâts internes à la boîte de vitesses.

1. Selon l'accessibilité, le liquide de boîte de vitesses peut être ajouté par l'orifice de l'ensemble de bouchon du tube de remplissage de liquide (1) ou par l'orifice du bouchon de contrôle du niveau d'huile (2) dans le bas du carter de liquide de boîte de vitesses.

**Mise en garde :** Avant de déposer l'ensemble de bouchon du tube de remplissage de liquide, nettoyer soigneusement autour du bouchon pour éviter la pénétration de poussières ou de contaminants dans la boîte de vitesses lors de la dépose du bouchon. Utiliser de l'air comprimé pour déloger les dépôts de poussière de la zone du bouchon et alentour. Utiliser un miroir pour confirmer que la zone est exempte de saletés avant de déposer le bouchon. Si la zone autour du bouchon n'est pas nettoyée, la boîte de vitesses peut être contaminée.

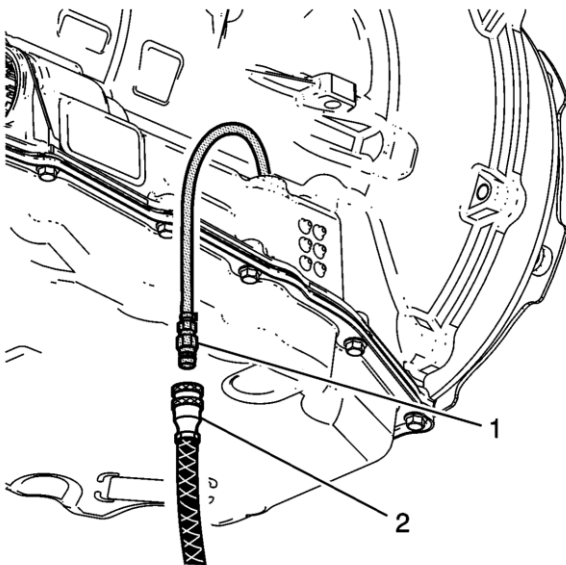


2. Nettoyer autour du bouchon du tube de remplissage de liquide (1).



**Remarque :** il peut être nécessaire d'utiliser une pince à long bec effilé à 90 degrés pour lever le plongeur et déposer l'ensemble de bouchon.

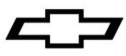
1. Déverrouiller le bouchon du tube de remplissage en levant le plongeur. Une fois le plongeur relevé, déposer l'ensemble de bouchon complet (1).
2. Déterminer la quantité approximative de liquide nécessaire pour remplir la boîte de vitesses, en fonction de la réparation exécutée. Se reporter à Capacités de liquide approximatives. Pour éviter un remplissage insuffisant, remplir un peu trop puis laisser le liquide en excès s'écouler par le bouchon de contrôle de niveau d'huile au cours de la procédure de vérification du niveau et de l'état du liquide de boîte de vitesses.



**Remarque :** l'outil de rinçage et de test de débit DT-45096 est utilisé comme méthode pratique pour pomper le liquide dans le carter inférieur. Une pompe à main adaptée peut également être utilisée à la place. Lors de l'utilisation de l'outil de rinçage et de test de débit DT-45096, surveiller le panneau d'affichage pour déterminer la quantité de liquide qui est pompée du réservoir d'alimentation de l'outil vers la boîte de vitesses.

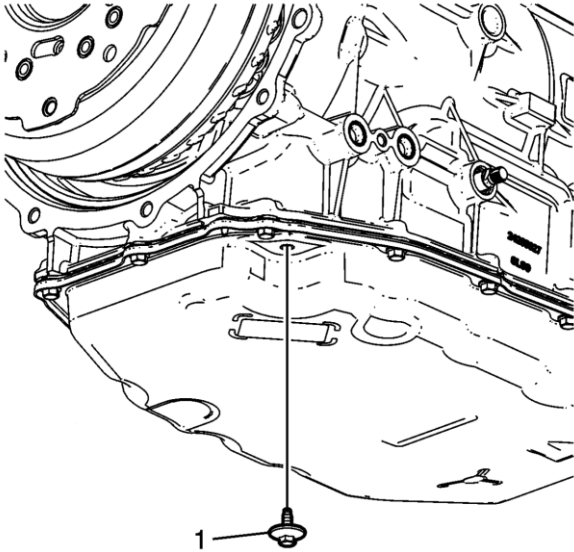
3. À l'aide de l'adaptateur de remplissage d'huile Transflow DT-45096-40 (1) et de l'outil de rinçage et de test de débit DT-45096 (2) ou d'une pompe à main adaptée, ajouter du liquide de boîte de vitesses par l'ouverture du bouchon du tube de remplissage. Se reporter à Rinçage et test de débit du refroidisseur de liquide de transmission pour les instructions complètes d'utilisation de l'outil de rinçage et de test de débit DT-45096. Placer le commutateur de fonction sur la position FLOW pour pomper le liquide.





**Mise en garde :** Vérifier le niveau de liquide de boîte de vitesses immédiatement après l'ajout du liquide et avant le fonctionnement du véhicule. Ne pas remplir excessivement la boîte de vitesses. Un remplissage excessif de la boîte de vitesses peut provoquer un moussage ou une expulsion de liquide par le tube d'évent lorsque le véhicule est utilisé. Un remplissage excessif peut endommager la boîte de vitesses.

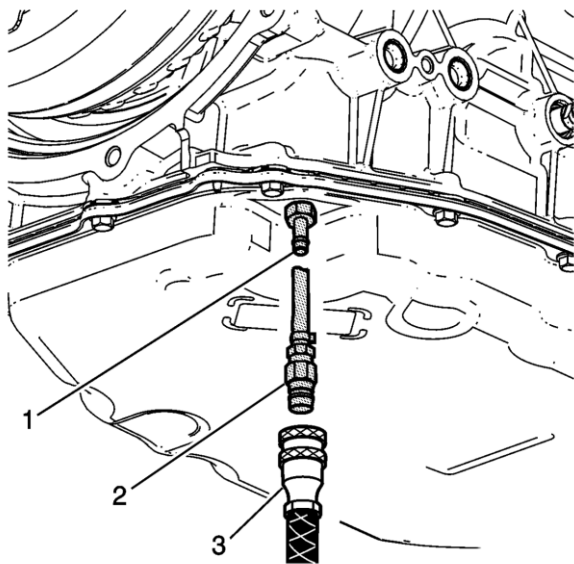
**Méthode bouchon de contrôle**



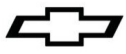
**Mise en garde :** Utiliser uniquement du liquide de boîte de vitesses Dexron® HP. L'emploi d'un liquide incorrect peut provoquer des dégâts internes à la boîte de vitesses.

**Remarque :** lorsque le bouchon de contrôle de niveau d'huile est déposé lorsque le moteur est arrêté, le liquide de boîte de vitesses peut s'écouler par l'orifice.

1. Déposer le bouchon de contrôle de niveau d'huile.



2. Poser l'adaptateur de carter de remplissage de liquide DT-51190 (1) et, si nécessaire un des adaptateurs de rinçage de refroidisseur DT 45096-30 (2).
3. Déterminer la quantité approximative de liquide nécessaire pour remplir la boîte de vitesses, en fonction de la réparation exécutée. Se reporter à Capacités de liquide approximatives. Pour éviter un remplissage insuffisant, remplir un peu trop puis laisser le liquide en excès s'écouler par le bouchon de contrôle de niveau d'huile au cours de la procédure de vérification du niveau et de l'état du liquide de boîte de vitesses.



**Remarque :** l'outil de rinçage et de test de débit DT-45096 est utilisé comme méthode pratique pour pomper le liquide dans le carter inférieur. Une pompe à main adaptée peut également être utilisée à la place. Lors de l'utilisation de l'outil de rinçage et de test de débit DT-45096, surveiller le panneau d'affichage pour déterminer la quantité de liquide qui est pompée du réservoir d'alimentation de l'outil vers la boîte de vitesses.

- À l'aide de l'adaptateur de carter de remplissage de liquide DT-51190 (1), des adaptateurs de rinçage de refroidisseur DT-45096-30 (2) et de l'outil de rinçage et de test de débit DT-45096 (3), ajouter du liquide de boîte de vitesses par l'orifice du bouchon de contrôle. Se reporter à Rinçage et test de débit du refroidisseur de liquide de transmission pour les instructions complètes d'utilisation du DT-45096. Placer le commutateur de fonction sur la position FLOW pour pomper le liquide.

**Remarque :** si l'on ne démarre pas le moteur et que l'on ne déplace pas le levier secteur dans les différentes gammes de rapports avant de déposer l'adaptateur de carter de remplissage de liquide DT-51190 et les adaptateurs de rinçage du refroidisseur DT-45096-30 du carter inférieur, une quantité excessive de liquide s'écoulera de l'orifice du bouchon de contrôle. Cela peut causer un état de sous remplissage.

- Démarrer le moteur et placer le levier sélecteur dans chaque gamme de rapport. Demeurer au moins 3 secondes dans chaque gamme de rapport.

**Mise en garde :** Vérifier le niveau de liquide de boîte de vitesses immédiatement après l'ajout du liquide et avant le fonctionnement du véhicule. Ne pas remplir excessivement la boîte de vitesses. Un remplissage excessif de la boîte de vitesses peut provoquer un moussage ou une expulsion de liquide par le tube d'évent lorsque le véhicule est utilisé. Un remplissage excessif peut endommager la boîte de vitesses.

- Le moteur tournant, déposer l'adaptateur de carter de remplissage de liquide DT-51190(1), (2) et l'outil de rinçage et de test de débit DT-45096 (3) puis contrôler le niveau de liquide. Se reporter à vérification du niveau et de l'état du liquide de boîte de vitesses.

#### **Fonctions adaptatives de la boîte de vitesses**

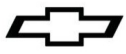
La boîte Hydra-Matic® 8 vitesses RWD utilise un système de contrôle de la pression de canalisation pendant les montées de rapports pour compenser les variations de construction de la boîte de vitesses neuve et l'usure normale des composants de la boîte de vitesses. La variation entre l'ancienne boîte de vitesses et la neuve ainsi que l'usure normale des composants d'engagement au sein de la boîte de vitesses peuvent, avec le temps, causer une modification de la durée de passage (le temps nécessaire à l'engagement d'un embrayage) qui devient alors plus longue ou plus courte que souhaité. Pour compenser ces variations, le module de commande de la transmission (TCM) ajuste les commandes de pression vers les différents solénoïdes régulateurs de pression (PC) pour maintenir la synchronisation de passage calibrée à l'origine. Ce processus de réglage automatique est désigné « apprentissage adaptatif » et permet d'assurer une sensation de passage constante et d'augmenter la durabilité de la boîte de vitesses. Le TCM surveille le capteur de vitesse d'entrée (ISS) de la boîte de vitesses automatique (A/T) et le capteur de vitesse de sortie (OSS) de l'A/T pendant les changements de rapport commandés afin de déterminer si un passage est trop rapide (brusque) ou trop lent (mou) et ajuste le signal du solénoïde PC correspondant afin de maintenir la sensation de passage prévue.

Le but de la fonction d'adaptation et de compenser automatiquement la qualité de passage pour les différents systèmes de commande de passage de rapports du véhicule. La fonction d'adaptation est un processus continu qui contribue à maintenir une qualité de passage rapports optimale pendant toute la durée de vie du véhicule.

#### **Description générale de la boîte de vitesses**

La boîte Hydra-matic 8 vitesses RWD est une boîte de vitesses entièrement automatique à commande électronique à 8 rapports pour propulsion arrière. Les huit rapports de vitesse sont générés au moyen de quatre trains planétaires simples, deux embrayages de freinage et trois embrayages rotatifs. L'architecture axiale résultante de la boîte de vitesses utilise un convertisseur de couple aplati, une pompe désaxée et quatre trains à couplage direct. Les trois embrayages rotatifs ont été placés à l'avant des trains pour minimiser la longueur des alimentations en huile ce qui améliore la réactivité des passages de rapports. Il existe différentes variantes de la boîte de vitesses, toutes basées sur le couple. Les variantes bénéficient d'une architecture commune et les différences entre les composants concernent essentiellement la taille.

L'architecture de la boîte de vitesses présente un carter d'embrayage intégré au carter de la boîte ce qui augmente la rigidité du groupe motopropulseur. Une conception exclusive d'entraînement de la pompe a permis de la désaxer très bas dans la boîte de vitesses. La pompe est du type à aubes binaires ce qui permet d'inclure deux pompes dans l'encombrement d'une pompe classique. Cette stratégie de conception et d'intégration permet non seulement de faibles pertes parasites et une capacité d'amorçage optimale mais offre également un acheminement d'huile idéal vers les systèmes de commande avec la pompe placée dans le distributeur hydraulique lui-même. Le module de commande de boîte de vitesses (TCM) est monté à l'extérieur, permettant une flexibilité de l'enveloppe et de l'intégration du groupe motopropulseur. Le contrôleur utilise trois capteurs de vitesse qui permettent une réactivité et une précision des passages améliorées.



Le convertisseur de couple en quatre éléments comporte une pompe, une turbine, un plateau de pression cannelé sur la turbine, et un ensemble stator. Le convertisseur de couple agit comme un coupleur hydraulique pour transmettre en douceur la puissance du moteur à la boîte de vitesses. En outre, il fournit hydrauliquement une multiplication supplémentaire de couple selon les besoins. Le plateau de pression fournit quand il est appliqué un accouplement mécanique direct entre le moteur et la transmission.

Les trains planétaires fournissent les 8 rapports de marche avant et la marche arrière. Le changement de rapport de démultiplication est entièrement automatique et s'effectue par l'utilisation d'un module de commande de boîte de vitesses (TCM). Le TCM reçoit et surveille les signaux de plusieurs capteurs électroniques et utilise cette information pour changer de rapport de la boîte de vitesses au moment optimal.

Le système hydraulique est principalement constitué d'une pompe désaxée à aubes binaires entraînée par chaîne placée dans le distributeur hydraulique et de 2 ensembles de distributeurs hydrauliques de commande. La pompe maintient les pressions de travail nécessaire pour actionner les pistons de voyage qui engagent ou libèrent les composants de friction. Ces composants de friction lorsqu'ils sont engagés ou libérés contribuent aux qualités des passages de rapports automatiques de la boîte de vitesses.

Les composants de friction utilisés dans cette boîte de vitesses comprennent 5 embrayages multidisques. Les embrayages multidisques fournissent 7 rapports différents, 8 de marche avant et une marche arrière via des trains de pignons. Les trains de pignons transfèrent ensuite le couple via l'arbre de sortie.

La boîte de vitesses peut être utilisée dans chacune des gammes de rapports suivantes :

#### **STATIONNEMENT (P)**

Cette position bloque les roues arrière et empêche le véhicule de rouler vers l'avant ou vers l'arrière. Stationnement (P) est la meilleure position pour le démarrage du véhicule. Comme la boîte de vitesses utilise un système de commande de verrouillage, il est nécessaire d'appuyer à fond sur la pédale de frein avant de sortir de la position de stationnement (P). Pour des raisons de sécurité, utiliser le frein de stationnement en plus de la position de stationnement (P).

#### **MARCHE ARRIÈRE (R)**

Cette position permet de conduire le véhicule vers l'arrière.

#### **POINT MORT (N)**

Cette position permet de démarrer le moteur lorsque l'on conduit le véhicule. Si nécessaire vous pouvez sélectionner cette position afin de redémarrer le moteur pendant que le véhicule roule. C'est la position qu'il convient d'utiliser lorsque le véhicule est remorqué.

#### **CONDUITE (D)**

La gamme de conduite (D) doit être utilisée dans toutes les conditions normales de conduite pour une efficacité et une économie de carburant maximales. La gamme de conduite (D) permet à la boîte de vitesses d'utiliser les 8 rapports de marche avant. Les rétrogradations à un rapport inférieur sont disponibles pour permettre des dépassements en toute sécurité en enfonceant l'accélérateur ou en sélectionnant manuellement un rapport inférieur en mode manuel.

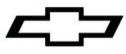
#### **MANUEL (M) MODE SPORT (S)**

Cette position permet au conducteur d'utiliser le système de changement de rapport par le conducteur (DSC), ou le mode manuel. Lorsque le levier sélecteur est placé dans la position M/S, le conducteur peut passer un rapport supérieur ou inférieur en utilisant les palettes situées sur le volant. Un passage au rapport supérieur se commande en poussant un des boutons + vers l'avant. Un passage au rapport inférieur se commande en tirant un des boutons + en arrière vers le conducteur.

Pour éviter d'endommager le moteur ou la boîte de vitesses, le TCM permet de passer uniquement à un rapport approprié pour le régime moteur et la vitesse du véhicule.

#### **Condition**

Certains clients peuvent signaler sur des véhicules à faible kilométrage équipés d'une boîte de vitesses automatique que les passages de rapports sont trop fermes (brusques), ou qu'ils ressentent un patinage ou une hésitation. Les clients doivent être informés que la boîte de vitesses utilise une fonction adaptative qui va contribuer à affiner le ressenti de passage pendant la conduite et améliorer la qualité des passages de rapports.



### **Correction**

Ce qui suit doit être utilisé pour déterminer quelles étapes doivent être suivies au sein de ce document. La boîte de vitesses à 8 rapports utilise cinq embrayages pour obtenir tous les rapports. Utiliser le tableau compris dans ce document pour déterminer quel embrayage peut nécessiter un apprentissage adaptatif supplémentaire.

- Si la boîte de vitesses doit être remplacée, réinitialiser les adaptations à l'aide de l'apprentissage rapide. Évaluer les passages et réaliser un apprentissage des pressions et des volumes si besoin.
- Si un client subit un problème de passage de rapport particulier, l'apprentissage rapide doit être sauté. Exécuter la procédure d'apprentissage de conduite pour réaliser un apprentissage des pressions et des volumes pour le passage de rapport concerné par la plainte.

### **Fonctions adaptatives de la boîte de vitesses**

La boîte Hydra-Matic® 8 vitesses RWD utilise un système de contrôle de la pression et du volume de canalisation pendant les montées de rapports pour compenser les variations de construction de la boîte de vitesses neuve ainsi que l'usure normale des composants de la boîte de vitesses. La variation de la boîte neuve ainsi que l'usure normale des composants d'engagement au sein de la boîte de vitesses peuvent, avec le temps, causer une modification de la durée de passage (le temps nécessaire à l'engagement d'un embrayage) qui devient alors plus longue ou plus courte que souhaité.

Pour compenser ces variations, le module de commande de la transmission (TCM) ajuste les commandes de pression vers les différents solénoïdes régulateurs de pression (PC) pour maintenir la synchronisation de passage calibrée à l'origine. Ce processus de réglage automatique est désigné « apprentissage adaptatif » et permet d'assurer une sensation de passage constante et d'augmenter la durabilité de la boîte de vitesses.

Le TCM surveille le capteur de vitesse d'entrée (ISS) de la boîte de vitesses automatique (A/T) et le capteur de vitesse de sortie (OSS) de l'A/T pendant les changements de rapport commandés afin de déterminer si un passage est trop rapide (brusque) ou trop lent (mou) et ajuste le signal du solénoïde PC correspondant afin de maintenir la sensation de passage prévue. Le but de la fonction d'adaptation et de compenser automatiquement la qualité de passage pour les différents systèmes de commande de passage de rapports du véhicule. La fonction d'adaptation est un processus continu qui contribue à maintenir une qualité de passage rapports optimale pendant toute la durée de vie du véhicule.

### **Comment adapter votre boîte de vitesses**

Les adaptations de la boîte de vitesses peuvent être réinitialisées et réappries sur la plupart des véhicules via le GDS 2 à l'aide de la procédure d'apprentissage rapide de la boîte de vitesses. Cette procédure s'effectue en atelier et il n'est pas nécessaire de conduire le véhicule.

Pour réaliser la procédure d'apprentissage rapide de la boîte de vitesses, ouvrir les diagnostics du GDS 2 et se rendre sur :

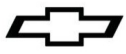
- Module des diagnostics
- Module de commande la boîte de vitesses
- Configuration / fonction de réinitialisation
- Apprentissage rapide de la boîte de vitesses

L'apprentissage rapide de la boîte de vitesses est la méthode recommandée pour réinitialiser et réapprendre les adaptations. Cette procédure est disponible pour tous les camions, voitures et VUS AM 2016 équipés des boîtes de vitesses automatiques 8L45 et 8L90 (EFC : M5U, M5T, M5N, M5X).

Lorsque l'apprentissage rapide est terminé, effectuer un essai sur route et noter les passages de rapports mous ou brusques.

Pour améliorer ces passages de rapports non satisfaisants, localiser les embrayages qui doivent être appris dans le tableau ci-dessous et exécuter la procédure d'apprentissage requise pour chaque embrayage listé dans le tableau. Exécuter les étapes ci-dessous avec le véhicule à température de fonctionnement sur une route lisse et horizontale. Le conducteur peut ressentir de brèves impulsions ou des passages fermes pendant que la boîte de vitesses optimise les caractéristiques d'apprentissage de l'embrayage.

**Remarque :** la température du liquide de boîte de vitesses doit être comprise entre 35 °C (95 °F) et 95 °C (203 °F). Conduire le véhicule de manière normale jusqu'à ce que cette plage de température soit atteinte. Si la température est hors de cette plage, les embrayages ne seront pas appris.



Apprendre ces embrayages

Pour corriger la sensation de passage de rapport	Engagement de l'embrayage	Relâchement de l'embrayage
1-2	C4	C3
2-3	C3	C1
3-4	C5	C3
4-5	C3	C4
5-6	C4	C2
6-7	C1	C4
7-8	C4	C3
3-1	C1	C4
2-1	C3	C4
N-D	C3 - Exécuter un apprentissage adaptatif de passage de rapport en garage	
N-R	C5 - Exécuter un apprentissage adaptatif de passage de rapport en garage	
Rétrogradations	Passer simplement les rapports et ils s'adapteront.	

**Remarque :** si le passage brusque est noté pendant que le véhicule s'immobilise et passe en 1ère, cette rétrogradation est probablement un passage 3-1.

**Remarque :** cette séquence est spécifique à l'AM 2016 et est différente de celle de l'AM 2015. La procédure d'apprentissage adaptatif suivante a été développée afin d'apprendre en détail les pressions et les volumes requis pour des passages spécifiques. Pour faciliter le processus d'apprentissage, il est recommandé de se rendre sur une route avec peu de circulation et qui présente une surface aussi lisse et horizontale que possible.

**Pour apprendre C1 (pour passage 6-7 ou 3-1)**

1. Apprentissage des pressions :

**Remarque :** pour cette procédure, il est recommandé de se rendre sur une route dont la limitation de vitesse est comprise entre 48 et 72 km/h (30 et 45 mph).

- Passer la boîte de vitesses dans le 6ème rapport avec le PRNDM dans la position M. Atteindre un régime moteur compris entre 1000 et 1600 tr/min. Maintenir cet état pendant environ 8 km (5 miles). Il est possible d'utiliser le régulateur de vitesse qui s'avère accélérer l'apprentissage des valeurs d'embrayage.

2. Apprentissage des volumes :

- Réaliser 15 montées de rapport 6-7 en légère accélération d'environ 15 % pour apprendre C1.

**Pour apprendre C2 (pour passage 6-5)**

1. Apprentissage des pressions :

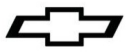
**Remarque :** pour cette procédure, il est recommandé de se rendre sur une route dont la limitation de vitesse est comprise entre 64 et 72 km/h (40 et 45 mph).

- Exécuter 10 rétrogradations 6-5 en roue libre en mode normal (freinage nul/léger) pour apprendre la pression du ressort de retour C2.

2. Apprentissage des volumes :

- Passer la boîte de vitesses dans le 8ème rapport avec le PRNDM dans la position M. Atteindre un régime moteur compris entre 1000 et 1750 tr/min. Maintenir cet état pendant environ 8 km (5 miles). Il est possible d'utiliser le régulateur de vitesse qui s'avère accélérer l'apprentissage des valeurs d'embrayage.





**Pour apprendre C3 (pour passage 2-3, 4-5, ou N-D)**

1. Apprentissage des pressions :

- Exécuter 10 rétrogradations 8-7 en roue libre en mode normal (freinage nul/léger) pour apprendre le ressort de retour C3.

2. Apprentissage des volumes :

- Réaliser 15 montées de rapport 2-3 en légère accélération d'environ 15 % pour apprendre C3.

**Pour apprendre C4 (pour passage 1-2, 5-6, ou 7-8)**

1. Apprentissage des pressions :

**Remarque :** pour cette procédure, il est recommandé de se rendre sur une route dont la limitation de vitesse est comprise entre 64 et 72 km/h (40 et 45 mph).

- Passer la boîte de vitesses dans le 7ème rapport avec le PRNDM dans la position M. Atteindre un régime moteur compris entre 1000 et 1750 tr/min. Maintenir cet état pendant environ 8 km (5 miles). Il est possible d'utiliser le régulateur de vitesse qui s'avère accélérer l'apprentissage des valeurs d'embrayage.

2. Apprentissage des volumes :

- Réaliser 15 montées de rapport 1-2 en légère accélération d'environ 15 % pour apprendre C4.

**Pour apprendre C5 (pour passage 3-4 ou N-R)**

1. Apprentissage des pressions :

**Remarque :** il est recommandé de se rendre sur une voie à l'intérieur d'un parc d'affaires ou une zone similaire sur laquelle on peut conduire en toute sécurité à des vitesses très lentes d'environ 8 à 40 km/h (5 à 25 mph).

- Passer la boîte de vitesses dans le 3ème rapport avec le PRNDM dans la position M. Commencer une accélération très lente en débutant à environ 1000 tr/min. Maintenir l'accélération lente jusqu'à atteindre 2500 tr/min. Une fois le régime de 2500 tr/min atteint, ralentir jusqu'à 1000 tr/min puis répéter l'accélération lente jusqu'à 2500 tr/min. Répéter ces opérations 10 fois.

2. Apprentissage des volumes :

- Réaliser 15 montées de rapport 3-4 en légère accélération d'environ 15 % pour apprendre C5.

**Apprentissage adaptatif de rétrogradation**

En commençant avec le véhicule en 8ème vitesse, appliquer lentement une pression sur la pédale d'accélérateur jusqu'à ce que la rétrogradation survienne. Répéter selon les besoins dans chaque vitesse (8, 7, 6, 5, 4, 3 et 2).

**Remarque :** cette procédure apprend les adaptations de l'embrayage qui se libère pour la commande de la rétrogradation.

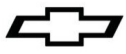
**Apprentissage adaptatif de passage de rapport en garage (pour passage N-D ou N-R)**

1. Apprentissage des pressions :

- Exécuter 10 rétrogradations 8-7 en roue libre en mode normal (freinage nul/léger) pour apprendre le ressort de retour C3.

2. Le véhicule étant à l'arrêt, maintenir le pied sur la pédale de frein et déplacer le sélecteur de point mort (N) à conduite (D) et de point mort (N) à marche arrière (R). Répéter autant de fois que nécessaire jusqu'à ce que la qualité de passage désirée soit atteinte.

**Remarque :** cette procédure permet l'apprentissage des adaptations d'embrayage à l'engagement de C13567 (C3-D) et C45678R (C5-R).



## Especificaciones de juego de transmisión Supermatic 8L90 (24284055 y 24284063)

### Número de parte de especificaciones 24284056

Gracias por elegir Chevrolet Performance como su fuente de alto desempeño. Chevrolet Performance está comprometido a proporcionar tecnología de desempeño comprobada e innovadora que en realidad.... sea más que sólo potencia. Las partes de Chevrolet Performance están diseñadas, desarrolladas y probadas para exceder sus expectativas de ajuste y función. Por favor consulte nuestro catálogo respecto al Centro Autorizado de Chevrolet Performance Parts más cercano a usted o visite nuestra página en Internet [www.chevroletperformance.com](http://www.chevroletperformance.com).

Esta publicación brinda información general sobre los componentes y procedimientos que pueden ser útiles al instalar o dar servicio a una Transmisión Supermatic. Por favor lea esta publicación completa antes de comenzar el trabajo. Además, por favor verifique que todos los componentes indicados en la sección de Contenidos de paquete a continuación se enviaran en el juego.

La siguiente información se divide en las siguientes secciones: contenido del paquete, información de componente, y especificaciones de Transmisión Supermatic, partes adicionales que puede necesitar comprar, especificaciones de apriete, y una lista de partes de servicio.

No se pretende que estas especificaciones reemplace las prácticas de servicio completas y detalladas explicadas en los manuales de servicio de fábrica.

Para información sobre cobertura de la garantía, por favor póngase en contacto con su concesionario local de Chevy Performance parts.

Observe todas las precauciones de seguridad y advertencias de los manuales de servicio durante la instalación de una Transmisión Supermatic en cualquier vehículo. Utilice protección para los ojos y ropa de protección adecuada. Soporte el vehículo firmemente con los puntales hidráulicos cuando trabaje bajo o alrededor de éste. Sólo use las herramientas adecuadas. Tenga mucha precaución cuando trabaje con líquidos y materiales inflamables, corrosivos y peligrosos. Algunos procedimientos requieren equipo y habilidades especiales. Si no tiene la capacitación, experiencia, y herramientas apropiadas para realizar cualquier parte de esta conversión con seguridad, este trabajo debe ser realizado por un profesional.

La información contenida en esta publicación se presenta sin ninguna garantía. El usuario asume completamente todo el riesgo por su uso. El diseño de componentes específicos, los procedimientos mecánicos, y las calificaciones de los lectores están más allá del control del editor, y por lo tanto el editor declina cualquier responsabilidad incurrida en conexión con el uso de la información provista en esta publicación.

#### **Información legal y sobre emisiones**

Esta publicación ha sido diseñada para proporcionar información acerca de la Transmisión Supermatic y componentes relacionados. Este manual también describe los procedimientos y modificaciones que pueden ser útiles durante la instalación de una Transmisión Supermatic. No está diseñada para sustituir a los exhaustivos manuales de servicio y catálogos de partes que cubren los motores y componentes Chevrolet. Más bien, está diseñada para brindar información complementaria en áreas de interés para los entusiastas del "hágalo usted mismo" y los mecánicos.

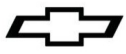
Esta publicación concierne a transmisiones y vehículos que se utilizan fuera de las carreteras públicas, excepto cuando se indica específicamente lo contrario. La ley federal restringe el retiro de cualquier parte de un sistema de control de emisiones requerido por orden federal de los vehículos de motor. Más aún, muchos estados han promulgado leyes que prohíben alterar o modificar cualquier sistema de control de emisiones o ruidos. Los vehículos que no son operados en carreteras públicas generalmente están exentos de la mayoría de las normas, al igual que algunos vehículos de interés especial y pre-emisiones. Se le exhorta atentamente al lector verificar todas las leyes locales y estatales aplicables.

Muchas de las partes descritas o indicadas en este manual se comercializan para su aplicación fuera de carretera únicamente, y están etiquetadas con el "Aviso sobre Partes Especiales" que se reproduce aquí:

#### **Aviso sobre partes especiales**

Esta parte ha sido diseñada específicamente para aplicación fuera de carretera únicamente. Debido que la instalación de esta parte puede afectar el desempeño del control de emisiones de su vehículo o dejarlo fuera de certificación según los Estándares de seguridad de vehículos de motor, no se debe instalar en un vehículo que se utilice en cualquier calle o carretera. Adicionalmente, cualquier aplicación tal puede afectar adversamente la cobertura de la garantía de tales vehículos para aplicación en calles o carreteras.

Chevrolet, Chevy, el Emblema de Corbatín Chevrolet, General Motors, y GM son marcas comerciales registradas de General Motors Company.



**Contenido del Juego:**

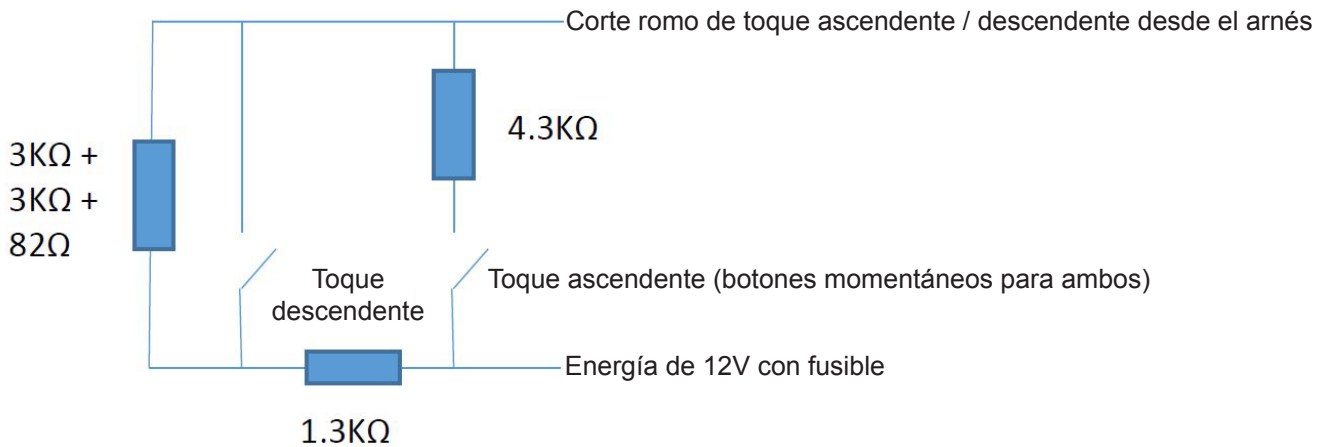
**Juego No. de parte 24284055**

- 24274274 - Transmisión 8L90
- 24284056 - Hoja de Instrucciones
- 24284057 - Arnés
- 24284058 - TCM

**Juego No. de parte 24284063**

- 24273554 - Transmisión 8L90
- 24284056 - Hoja de Instrucciones
- 24284057 - Arnés
- 24284064 - TCM

**Característica de cambio de toque ascendente/descendente opcional**



**Capacidades aproximadas de fluido**

Aplicación	Especificación	
	Métrico	Sistema inglés
8L90		
Desinstalación de cárter y reemplazo de filtro - Capacidad aproximada	7.0 litros	7.4 cuartos
Reparación mayor - Capacidad aproximada (Sólo volumen de transmisión)	10.3 litros	10.88 cuartos
Sistema de transmisión completo - Capacidad aproximada (Incluyendo volumen de enfriador)	10.8 litros	11.41 cuartos

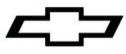
**NOTA: Este controlador de transmisión sólo funcionará cuando se use junto con el sistema de control de motor armado correcto de Chevrolet Performance Parts. Por favor verifique que se use el número de parte de motor y controlador de motor correctos con este juego. Consulte la página de Internet o el catálogo de Chevrolet Performance respecto al uso apropiado.**

**Procedimiento de relleno de fluido de la transmisión**

**Herramientas especiales**

- Herramienta de prueba de lavado y flujo de sistema de enfriamiento de aceite de transmisión DT-45096
- Adaptadores de lavado de enfriador de transmisión DT-45096-30
- Adaptador de llenado de aceite de flujo de transmisión DT-45096-40
- Adaptador de llenado de fluido de transmisión DT-51190

Para herramientas regionales equivalentes, consulte Herramientas especiales.

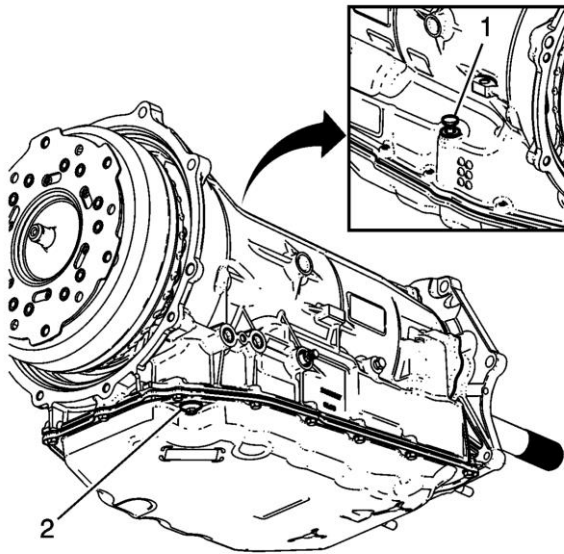


**Precaución:** Use fluido de transmisión Dexron® HP únicamente. La falla en usar el fluido adecuado puede resultar en daño interno a la transmisión.

**Precaución:** Revise el nivel de fluido de la transmisión de inmediato después de agregar fluido y antes de la operación del vehículo. No llene en exceso la transmisión. Una transmisión rellena en exceso puede resultar en formación de espuma o que se expulse fluido fuera del tubo de ventilación cuando se opere el vehículo. Rellenar en exceso resultará en posible daño a la transmisión.

Revise el nivel de fluido de la transmisión, consulte Revisión de nivel y condición de fluido de la transmisión.

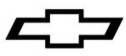
#### Método de tapón de tubo de relleno



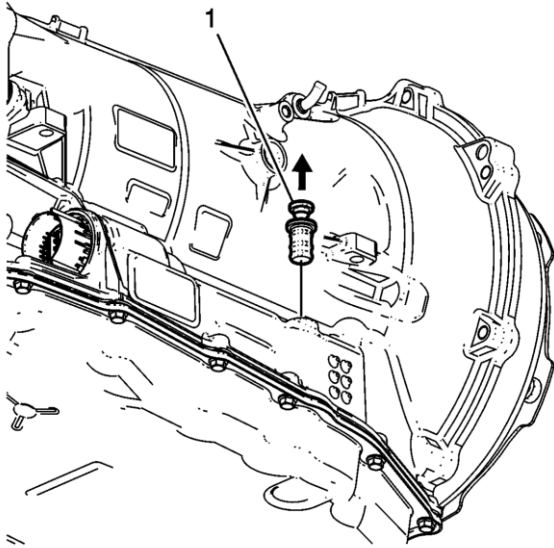
**Precaución:** Use fluido de transmisión Dexron® HP únicamente. La falla en usar el fluido adecuado puede resultar en daño interno a la transmisión.

1. En base a la accesibilidad, el fluido de la transmisión se puede agregar a través del orificio del ensamble del tapón de relleno de fluido (1) o a través del orificio del tapón de revisión de nivel de aceite (2) en la parte inferior del cárter de fluido de la transmisión.

**Precaución:** Antes de retirar el ensamble del tapón del tubo de relleno de fluido de la transmisión, limpie minuciosamente alrededor del tubo para evitar que entre suciedad o contaminantes a la transmisión durante la desinstalación del tapón. Use aire comprimido para retirar cualquier suciedad acumulada que pueda estar atorada sobre y alrededor del área del tapón. Use un espejo para confirmar que el área esté libre de suciedad antes de retirar el tapón. La falla en limpiar alrededor del tapón puede resultar en contaminación de la transmisión.

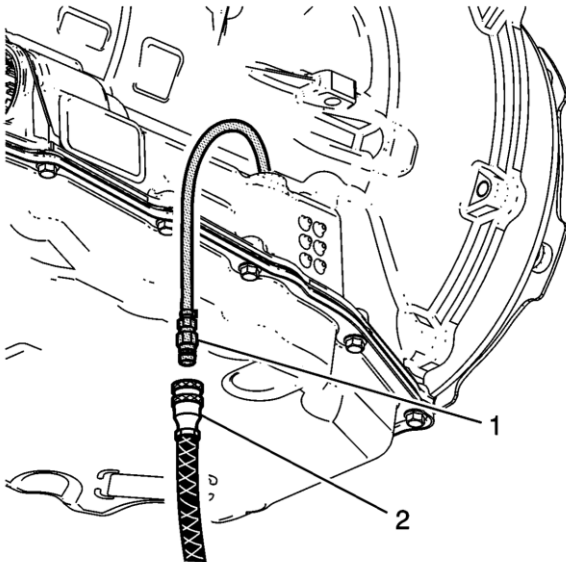


2. Limpie alrededor del tapón del tubo de relleno de fluido (1).



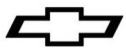
**Nota:** Puede ser necesario usar un par de pinzas de punta de aguja de 90 grados largas para levantar el émbolo y retirar el ensamble del tapón.

1. Desbloquee el tapón del tubo de relleno levantando el émbolo. Una vez que se levante el émbolo, retire el ensamble del tapón completo (1).
2. Determine la cantidad apropiada de fluido necesaria para llenar la transmisión, en base a la reparación realizada. Consulte las Capacidades aproximadas de fluido. Para evitar una condición de falta de relleno, rellene ligeramente en exceso la transmisión, y después permita que el fluido adicional se drene a través del tapón de revisión de nivel de aceite durante el procedimiento de revisión de nivel y condición de fluido de la transmisión.



**Nota:** La herramienta de prueba de lavado y flujo DT-45096 se utiliza como un método conveniente para bombear el fluido al cárter inferior. También se puede usar una bomba manual adecuada en su lugar. Cuando use la herramienta de prueba de lavado y flujo DT-45096, monitoree el tablero de la pantalla para determinar la cantidad de fluido que se bombea del tanque de suministro de la herramienta a la transmisión.

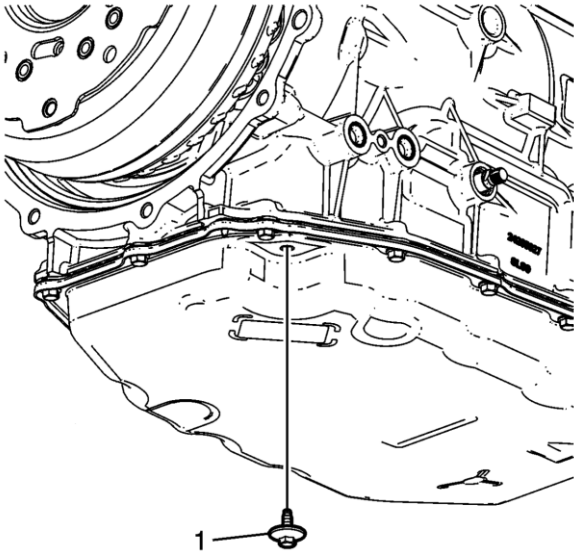




3. Con el adaptador de relleno de aceite de flujo de la transmisión DT-45096-40 (1) y la herramienta de prueba de lavado y flujo DT-45096 (2), o una bomba manual adecuada, agregue fluido de la transmisión a través de la abertura del tapón del tubo de relleno. Consulte la Prueba de lavado y flujo del enfriador de fluido de la transmisión respecto a las instrucciones de operación de la herramienta de lavado y flujo DT-45096. Use la posición FLOW (flujo) en el interruptor de función principal para bombear el fluido.

**Precaución:** Revise el nivel de fluido de la transmisión de inmediato después de agregar fluido y antes de la operación del vehículo. No llene en exceso la transmisión. Una transmisión rellena en exceso puede resultar en formación de espuma o que se expulse fluido fuera del tubo de ventilación cuando se opere el vehículo. Rellenar en exceso resultará en posible daño a la transmisión.

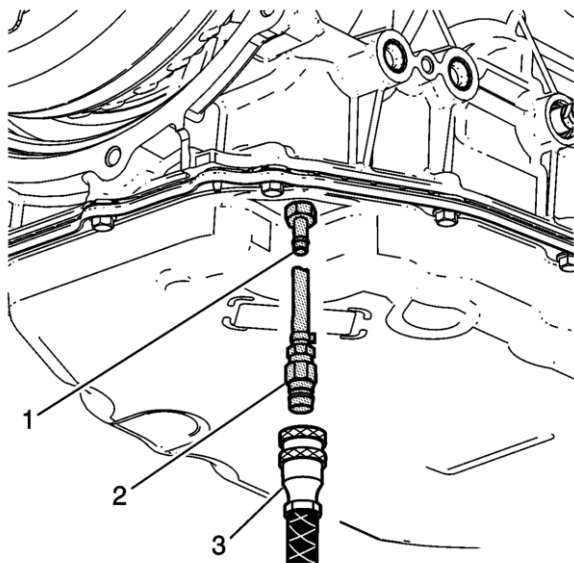
#### Método de tapón de revisión



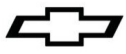
**Precaución:** Use fluido de transmisión Dexron® HP únicamente. La falla en usar el fluido adecuado puede resultar en daño interno a la transmisión.

**Nota:** Cuando se retire el tapón de revisión de nivel de aceite con el motor apagado, el fluido de la transmisión se puede drenar desde el orificio.

1. Retire el tapón de revisión de nivel de aceite.



2. Instale el adaptador del cárter de relleno de fluido DT-51190 (1) y, si es necesario, un adaptador de los adaptadores de lavado del enfriador DT 45096-30 (2).



3. Determine la cantidad apropiada de fluido necesaria para llenar la transmisión, en base a la reparación realizada. Consulte las Capacidades aproximadas de fluido. Para evitar una condición de falta de relleno, rellene ligeramente en exceso la transmisión, y después permita que el fluido adicional se drene a través del tapón de revisión de nivel de aceite durante el procedimiento de revisión de nivel y condición de fluido de la transmisión.

**Nota:** La herramienta de prueba de lavado y flujo DT-45096 se utiliza como un método conveniente para bombear el fluido al cárter inferior. También se puede usar una bomba manual adecuada en su lugar. Cuando use la herramienta de prueba de lavado y flujo DT-45096, monitoree el tablero de la pantalla para determinar la cantidad de fluido que se bombea del tanque de suministro de la herramienta a la transmisión.

4. Con el adaptador del cárter de relleno de fluido DT-51190 (1), los adaptadores de lavado de enfriador DT-45096-30 (2), y la herramienta de prueba de lavado y flujo DT-45096 (3), agregue fluido de transmisión a través del orificio del tapón de revisión. Consulte la Prueba de lavado y flujo de enfriador de fluido de la transmisión respecto a las instrucciones de operación de DT-45096. Use la posición FLOW (flujo) en el interruptor de función principal para bombear el fluido.

**Nota:** La falla en arrancar el motor y mover la palanca de cambios a través de los rangos de velocidad antes de retirar el adaptador del cárter de relleno de fluido DT-51190 y los adaptadores de lavado del enfriador DT-45096-30 del cárter inferior resultará en una cantidad excesiva de fluido que se drena del orificio del tapón de revisión. Esto puede conducir a una condición de falta de relleno.

5. Arranque el motor y mueva la palanca de cambio a través de cada rango de velocidad. Haga pausa por durante al menos 3 segundos en cada rango de velocidad.

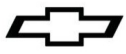
**Precaución:** Revise el nivel de fluido de la transmisión de inmediato después de agregar fluido y antes de la operación del vehículo. No llene en exceso la transmisión. Una transmisión rellena en exceso puede resultar en formación de espuma o que se expulse fluido fuera del tubo de ventilación cuando se opere el vehículo. Rellenar en exceso resultará en posible daño a la transmisión.

6. Con el motor todavía en operación, retire el adaptador del cárter de relleno de fluido DT-51190 (1), (2), y la herramienta de prueba de lavado y flujo DT-45096 (3) y después vuelva a revisar el nivel de fluido. Consulte la Revisión de nivel y condición de fluido de la transmisión.

### **Funciones adaptativas de transmisión**

La transmisión RWD Hydra-Matic® de 8 velocidades utiliza un sistema de control de presión de línea durante cambios ascendentes para compensar la nueva variación de construcción de la transmisión y el desgaste normal de los componentes de la transmisión. La variación de la nueva transmisión a la transmisión y el desgaste normal de los componentes de aplicación dentro de la transmisión con el paso del tiempo pueden causar que el tiempo de cambio (el tiempo requerido para aplicar el embrague) sea mayor o menor al deseado. En lugar de compensar estos cambios, el módulo de control de la transmisión (TCM) ajusta los comandos de presión a los varios solenoides de control de presión (PC), para mantener la sincronización de cambio calibrada originalmente. El proceso de ajuste automático se refiere como "programación adaptativa" y se usa para asegurar la sensación de cambio consistente además de incrementar la durabilidad de la transmisión. El TCM monitorea el sensor de velocidad de entrada (ISS) de la transmisión automática (T/A) y el sensor de velocidad de salida (OSS) de la A/T durante los cambios ordenados para determinar si un cambio ocurre demasiado rápido (brusco) o demasiado lento (suave) y ajusta la señal del solenoide de control de presión (PC) correspondiente para mantener la sensación de cambio ajustada.

El propósito de la función de adaptación es compensar automáticamente la calidad de cambio para los varios sistemas de control de cambio del vehículo. La función de adaptación es un proceso continuo que ayudará a mantener la calidad óptima de cambio durante la vida del vehículo.



### **Descripción general de transmisión**

La transmisión RWD Hydra-matic de 8 velocidades es una transmisión completamente automática de 8 velocidades, de tracción trasera controlada electrónicamente. Las ocho relaciones de velocidad se generan usando cuatro juegos de engrane planetario sencillos, dos embragues de freno, y tres embragues giratorios. La arquitectura de transmisión sobre el eje resultante utiliza un convertidor de par oprimido, una bomba fuera del eje y cuatro juegos de engranes de acoplamiento cerrado. Los tres embragues giratorios se han ubicado al frente de los juegos de engrane para minimizar al longitud de las alimentaciones de aceite que proporcionan respuesta de cambio mejorada. Hay variantes diferentes de la transmisión, todas basadas en la capacidad de torque. La arquitectura es común entre las variantes, y las diferencias de componente se relacionan principalmente con el tamaño.

La arquitectura de la transmisión presenta una caja con alojamiento de campana mejorado para rigidez mejorada del tren motriz. Un diseño de impulso de bomba único permite el empaque muy bajo fuera del eje en la transmisión. La bomba es de tipo de aspa binaria que permite efectivamente dos bombas en el tamaño de empaque de una. Esta estrategia de diseño y empaque no sólo permite bajas pérdidas parásitas y capacidad óptima de cebado sino también proporciona el enrutamiento ideal de aceite al sistema de control, con la bomba ubicada en el mismo cuerpo de la válvula. El módulo de control de la transmisión (TCM) está montado externamente, lo que permite la flexibilidad de integración de empaque y tren motriz. El controlados usa tres sensores de velocidad que proporcionan respuesta y precisión mejoradas de cambio.

El convertidor de par de 4 elementos contiene una bomba, una turbina, una placa de presión estriada a la turbina, y un ensamble de estator. El convertidor de par actúa como un acoplamiento de fluido para transmitir la potencia suavemente del motor a la transmisión. También proporciona hidráulicamente multiplicación de torque adicional cuando se requiere. La placa de presión, cuando se aplica, proporciona un acoplamiento de impulso directo mecánico del motor a la transmisión.

Los juegos de engrane planetario proporcionan las 8 relaciones de velocidad frontales y reversa. El cambio de las relaciones de velocidad es completamente automático y se logra a través del uso del módulo de control de la transmisión (TCM). El TCM recibe y monitorea varias entradas de sensor electrónico y usa esta información para cambiar la transmisión en el momento óptimo.

El sistema hidráulico consiste principalmente de una bomba tipo aspa binaria impulsada por cadena fuera del eje ubicada en el cuerpo de la válvula, y 2 ensambles de cuerpo de válvula de control. La bomba mantiene las presiones de operación necesarias para activar los pistones de embrague que aplican o liberan los componentes de fricción. Estos componentes de fricción, cuando se aplican o liberan, soportan las calidades de cambio automático de la transmisión.

Los componentes de fricción usados en esta transmisión consisten en 5 embragues de disco múltiple. Los embragues del disco múltiple entregan 7 relaciones de velocidad diferentes, 8 al frente y una reversa, a través de los juegos de engrane. Los juegos de engrane después transfieren el torque a través del eje de salida.

La transmisión puede ser operada en cualquiera de los siguientes rangos de velocidad:

#### **ESTACIONAMIENTO (Park - P)**

Esta posición bloquea las ruedas traseras y evita que el vehículo ruede ya sea al frente o hacia atrás. PARK (estacionamiento) es la mejor posición para usar cuando arranque el vehículo. Ya que la transmisión utiliza el sistema de control de bloqueo de cambio, es necesario presionar completamente el pedal del freno antes de cambiar fuera de PARK (Estacionamiento). Por razones de seguridad, use el freno de estacionamiento además de la posición PARK (estacionamiento).

#### **REVERSA (R)**

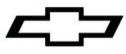
Esta posición permite que el vehículo sea operado en dirección hacia atrás.

#### **NEUTRAL (N)**

Esta posición permite que se arranque y opere el motor mientras conduce el vehículo. Si es necesario, puede seleccionar esta posición para volver a arrancar el motor con el vehículo en movimiento. Esta posición también se debe usar cuando remolque el vehículo.

#### **CONDUCCIÓN (Drive - D)**

El rango Drive (conducción) se debe usar para todas las condiciones de conducción normal para máxima eficiencia y economía de combustible. El rango de conducción permite que la transmisión opere en cada una de las 8 relaciones de velocidad frontales. Los cambios descendentes a una velocidad menor, o relación de velocidad mayor, están disponibles para paso seguro al presionar el acelerador o seleccionando manualmente una velocidad menor en el rango del modo manual.

**MANUAL (M) MODO SPORT (S)**

Esta posición permite que el conductor use el sistema de Control de Cambio del Conductor (DSC), o modo manual. Cuando la palanca del selector de cambios se mueve a la posición M/S, el conductor puede seleccionar cambios ascendentes o descendentes usando los interruptores de paleta ubicados en el volante. Un cambio ascendente se solicita al empujar cualquier botón + hacia el frente. Un cambio descendente se solicita al jalar cualquier botón + hacia atrás hacia el conductor.

Para proteger el motor o la transmisión contra daño, el TCM sólo le permitirá que cambie a una velocidad apropiada para la velocidad del motor y la velocidad del vehículo.

**Condición**

Algunos clientes pueden comentar sobre vehículos de poco kilometraje con transmisiones automáticas que el cambio se siente demasiado firme (brusco), deslizamientos, o estallidos. Se debe aconsejar a los clientes que la transmisión usa una función adaptativa que ayudará a refinar la sensación de cambio mientras conducen y mejorar la calidad de cambios.

**Corrección**

Se debe usar lo siguiente para determinar qué pasos se deben seguir dentro de este documento. La transmisión de 8 velocidades utiliza un total de 5 embragues para obtener todas las relaciones. Utilice la tabla de este documento para determinar qué embrague puede requerir programación adaptativa adicional.

- Si se requiere el reemplazo de la transmisión, restablezca las adaptaciones utilizando la Programación rápida de servicio. Evalúe los cambios y programe las presiones y volúmenes adicionales si se requiere.
- Si un cliente tiene un problema de cambio específico, se debe omitir la Programación rápida de servicio. Complete el procedimiento de programación de conducción para programas las presiones y volúmenes adicionales para el cambio de la queja.

**Funciones adaptativas de transmisión**

La transmisión RWD Hydra-Matic® de 8 velocidades utiliza un sistema de control de presión y volumen de línea durante cambios ascendentes para compensar la nueva variación de construcción de la transmisión así como el desgaste normal de los componentes de la transmisión. La variación del desgaste nuevo y normal de los componentes de aplicación dentro de la transmisión con el paso del tiempo pueden causar que el tiempo de cambio (el tiempo requerido para aplicar el embrague) sea mayor o menor al deseado.

En lugar de compensar estos cambios, el módulo de control de la transmisión (TCM) ajusta los comandos de presión a los varios solenoides de control de presión (PC) para mantener la sincronización de cambio calibrada originalmente. El proceso de ajuste automático se refiere como "programación adaptativa" y se usa para asegurar la sensación de cambio consistente además de incrementar la durabilidad de la transmisión.

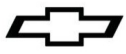
El TCM monitorea el sensor de velocidad de entrada (ISS) de la transmisión automática (T/A) y el sensor de velocidad de salida (OSS) de la A/T durante los cambios ordenados para determinar si un cambio ocurre demasiado rápido (brusco) o demasiado lento (suave) y ajusta la señal del solenoide de control de presión (PC) correspondiente para mantener la sensación de cambio ajustada. El propósito de la función de adaptación es compensar automáticamente la calidad de cambio para los varios sistemas de control de cambio del vehículo. La función de adaptación es un proceso continuo que ayudará a mantener la calidad óptima de cambio durante la vida del vehículo.

**Cómo adaptar su transmisión**

Las adaptaciones de la transmisión se pueden restablecer y volver a programar en la mayoría de los vehículos a través de GDS 2 utilizando el procedimiento de Programación rápida de servicio de la transmisión. Este procedimiento se completa en el banco de servicio y no se requiere conducir el vehículo.

Para completar el procedimiento de Programación rápida de servicio de la transmisión, ingrese al Diagnóstico de GDS 2 y navegue a:

- Module diagnostics (Diagnósticos de módulo)
- Módulo de control de la transmisión
- Configuration / Reset Function (Función de configuración / restablecimiento)
- Transmission Service Fast Learn (Programación rápida de servicio de la transmisión)



La Programación rápida de servicio de la transmisión es el método recomendado para restablecer y reprogramar las adaptaciones. Este procedimiento está disponible en todas las camionetas, vehículos y SUVs modelo 2016 con transmisiones automáticas 8L45 y 8L90 (RPO: M5U, M5T, M5N, M5X).

Cuando se complete la Programación rápida de servicio, realice una prueba de conducción y observe cualquier cambio suave o brusco.

Para mejorar estas quejas de cambios de forma adicional, localice los embragues que se necesitan programar en la tabla siguiente, y realice el procedimiento de programación necesario para cada cambio indicado en la gráfica. Ejecute los pasos siguientes con el vehículo caliente sobre un camino nivelado liso. El conductor puede observar un breve comportamiento de pulso o sensación de cambio firme mientras la transmisión optimiza las características de programación del embrague.

**Nota:** La temperatura del fluido de la transmisión debe estar entre 35°C (95°F) y 95°C (203°F). Conduzca el vehículo bajo condiciones normales hasta que se logre el rango de temperatura. Si la temperatura está fuera de este rango, los embragues no se programarán.

Para corregir la sensación de cambio	Programa estos embragues	
	Embrague de aplicación	Embrague de liberación
1-2	C4	C3
2-3	C3	C1
3-4	C5	C3
4-5	C3	C4
5-6	C4	C2
6-7	C1	C4
7-8	C4	C3
3-1	C1	C4
2-1	C3	C4
N-D	C3 - Realice la programación adaptativa de cambio de cochera	
N-R	C5 - Realice la programación adaptativa de cambio de cochera	
Cambios descendentes de potencia	Sólo realice los cambios y estos se adaptarán	

**Nota:** Si se observa el cambio brusco cuando el vehículo se detiene y cambia a 1ra velocidad, lo más probable es que este cambio descendente sea un cambio 3-1.

**Nota:** Esta secuencia es específica para el modelo 2016 y varía del modelo 2015. El siguiente procedimiento de programación adaptativa se desarrolló para programar presiones y volúmenes de embrague adicionales requeridos para cambios específicos. Para acelerar el proceso de programación, se recomienda utilizar un camino con tráfico mínimo que tenga una superficie tan lisa y nivelada como sea posible.

**Para programar C1 (Para cambio 6-7 o 3-1)**

1. Programaciones de presión:

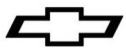
**Nota:** Se recomienda utilizar un camino con un límite de velocidad entre 30-45 mph (48-72 km/h) para este procedimiento.

- Cambie la transmisión a 6ta velocidad con el selector PRNDM en la posición M. Consiga una velocidad del motor entre 1000 y 1600 rpm del motor. Mantenga esta condición durante un total de aproximadamente 5 millas (8 km). Se puede usar el control crucero y se ha encontrado que resulta en una programación más rápida de los valores del embrague.

2. Programaciones de volumen:

- Complete 15 cambios ascendentes 6-7 con acelerador ligero en aproximadamente 15% de acelerador para programar C1 adicionalmente.





**Para programar C2 (Para cambio 6-5)**

1. Programaciones de presión:

**Nota:** Se recomienda utilizar un camino con un límite de velocidad de 40-45 mph (64-72 km/h) para este procedimiento.

- Realice 10 cambios descendentes por inercia 6-5 de modo normal (sin aplicación/poca aplicación del freno) para programar la presión del Resorte de retorno C2.

2. Programaciones de volumen:

- Cambie la transmisión a 8va velocidad con el selector PRNDM en la posición M. Consiga una velocidad del motor entre 1000 y 1750 rpm del motor. Mantenga esta condición durante un total de aproximadamente 5 millas (8 km). Se puede usar el control crucero y se ha encontrado que resulta en una programación más rápida de los valores del embrague.

**Para programar C3 (Para cambio 2-3, 4-5, o N-D)**

1. Programaciones de presión:

- Realice 10 cambios descendentes por inercia 8-7 de modo normal (sin aplicación/poca aplicación del freno) para programar el Resorte de retorno C3.

2. Programaciones de volumen:

- Complete 15 cambios ascendentes 2-3 con acelerador ligero en aproximadamente 15% de acelerador para programar C3 adicionalmente.

**Para programar C4 (Para cambio 1-2, 5-6 o 7-8)**

1. Programaciones de presión:

**Nota:** Se recomienda utilizar un camino con un límite de velocidad entre 40-45 mph (64-72 km/h) para este procedimiento.

- Cambie la transmisión a 7ma velocidad con el selector PRNDM en la posición M. Consiga una velocidad del motor entre 1000 y 1750 rpm del motor. Mantenga esta condición durante un total de aproximadamente 5 millas (8 km). Se puede usar el control crucero y se ha encontrado que resulta en una programación más rápida de los valores del embrague.

2. Programaciones de volumen:

- Complete 15 cambios ascendentes 1-2 con acelerador ligero en aproximadamente 15% de acelerador para programar C4 adicionalmente.

**Para programar C5 (Para cambio 3-4 o N-R)**

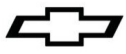
1. Programaciones de presión:

**Nota:** Se recomienda utilizar un camino con un Estacionamiento de negocios o área similar, donde sea seguro conducir en velocidades muy bajas de aproximadamente 5-25 mph (8-40 km/h).

- Cambie la transmisión a 3ra velocidad con el selector PRNDM en la posición M. Comience con aceleración muy lenta, comenzando en aproximadamente 1000 rpm. Mantenga la aceleración lenta hasta que alcance aproximadamente 2500 rpm. Una vez que alcance 2500 rpm, desacelere de nuevo a 1000 rpm y repita la aceleración lenta hasta 2500 rpm. Repita esto 10 veces.

2. Programaciones de volumen:

- Complete 15 cambios ascendentes 3-4 con acelerador ligero en aproximadamente 15% de acelerador para programar C5 adicionalmente.



### Programación adaptativa de cambio descendente de potencia

Comenzando con la operación del vehículo en 8va velocidad, aplique presión lentamente al pedal del acelerador hasta que ocurra el cambio descendente. Repita conforme sea necesario en cada velocidad (8, 7, 6, 5, 4, 3 y 2).

**Nota:** Este procedimiento programará las adaptaciones de embrague saliente para el control de cambio descendente de potencia deseado.

### Programación adaptativa de cambio de cochera (Para cambio N-D o N-R)

1. Programaciones de presión:

- Realice 10 cambios descendentes por inercia 8-7 de modo normal (sin aplicación/poca aplicación del freno) para programar el Resorte de retorno C3.

2. Con el vehículo detenido, sostenga el pie sobre el pedal del freno y mueva la palanca de cambios de Neutral a Drive (conducción) y Neutral a Reversa. Repita conforme sea necesario hasta que se logre la calidad de cambio deseada.

**Nota:** Este procedimiento programará las adaptaciones de embrague entrante C13567 (C3-Conducción) y C45678R (C5 - Reversa).