



## **EZ-TCU™ Transmission Control Unit**

Thank you for choosing TCI® products; we are proud to be your manufacturer of choice. Please read this instruction sheet carefully before beginning installation, and also take a moment to review the included limited warranty information.

### **INSTALLATION**

#### **System Components Overview**

The EZ-TCU™ system is made up of several main components. A TCU (Transmission Control Unit), a wiring harness, a handheld user interface, and an RPM module. Please read through all of the installation notes before beginning the installation.

#### **TCU**



#### **TCU Installation Notes:**

- The TCU is water tight when connected to the wiring harness. It can be mounted in the engine compartment or in the vehicle's interior. It is good practice to mount the TCU with the connector facing down. This way, there is less chance of moisture getting into the TCU if it needs to be disconnected in wet conditions.
- The TCU should not be mounted close to other electrically “noisy” components. In particular, keep good spacing (try for 2 feet minimum) from ignition components (ignition boxes, coils, distributors, etc.)
- If mounting in the engine compartment, selecting a location towards the rear will make it easier to route the communications cable to the interior to allow the handheld to be monitored while driving. Optional, longer communications cables are available if needed.
- There is an LED on the front face of the TCU – the side with the logo. It will flash if the on-board diagnostics detects a problem (the LED is lit solid when the TCU is powered up and working normally). To take advantage of this feature, the TCU will need to be mounted so that the front face of the TCU is visible. The handheld will also indicate if any faults have been detected.

## Wiring Harness



### Wiring Harness Installation Notes:

- The wiring harness should be kept away from ignition components (ignition boxes, coils, distributors, etc.) as much as possible. Do not bundle the wiring harness together with other “noisy” wiring in the vehicle.
- As with any wiring, it is good practice to avoid routing the wiring harness around sharp edges or near high temperature components such as headers.

The wiring harness consists of the following connections:

BATTERY POS (loose wire)

BATTERY NEG (loose wire)

These must be connected **DIRECTLY** to the positive (red wire) and negative (black wire) posts of the battery. These must be run independently to the battery. Do **NOT** splice other power or ground wires into these wires. Failure to follow these requirements invites problems with electrical noise. These kinds of problems are difficult to diagnose. The wires may be extended if needed using automotive grade 16 gauge (or larger) wire.

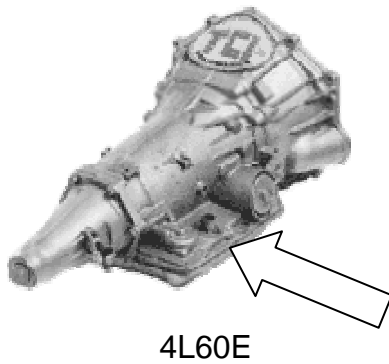
12V SWITCHED (loose wire)

Connect this wire to a switched ignition source that is hot with the key in the On/Run and Crank positions. Do **NOT** connect to the positive side of an ignition coil. Strange problems can sometimes arise when tapping into existing switched ignition sources. When in doubt, run this wire through its own switch and then directly to the positive post of the battery.

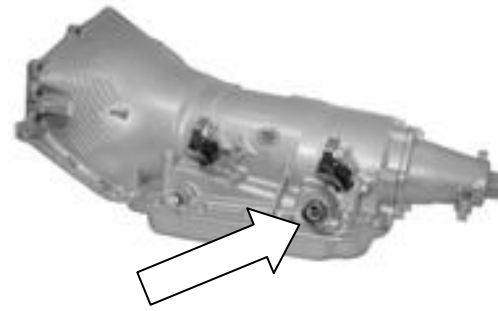
TRANS

This connects to the round connector on the passenger side of a 4L60E transmission. Or on the driver side of a 4L80E or TCI® 6x Six-Speed transmission.

NOTE: Pre-1993 4L80E’s will need an updated internal wiring harness. TCI® PN 276610, GM PN 24200161 or equivalent.



4L60E



4L80E / TCI® 6x Six-Speed

### OUTPUT SHAFT SPEED

This connects to a speed sensor at the rear of the transmission. In the case of the 4L80E and TCI® 6x Six-Speed transmissions, use the rear most sensor.

### THROTTLE / TPS SIGNAL

The THROTTLE connector can be plugged into an early style GM TPS sensor. Wiring adapters are available from FAST™ to accommodate a later style GM TPS (round, 3 pin connector). The harness can also be modified for use with any 0-5V TPS.

Original

<u>Pin Location</u>	<u>Color</u>	<u>Function</u>
A	Black/Pink	Ground
B	White/Red	TPS signal
C	Red/White	5V

The loose TPS SIGNAL wire is provided to facilitate sharing the TPS signal between two systems (TCU and a fuel injection system, for example) if needed. It splits off from the THROTTLE connector's signal wire inside the harness.

Remote mount TPS kits are available from TCI® to provide a TPS signal for carbureted applications.

### TACH IN / RPM MODULE

The wire with the female terminal goes to the tach output from an ignition box or other RPM signal source. Or to the EZ-TCU™ RPM Module depending on the application. See RPM Module notes. Do **NOT** connect this directly to the ignition coil.

A second wire is provided to facilitate sharing the tach signal between two systems (TCU and a fuel injection system, for example) if needed. The terminal on the second wire is the opposite gender. So something that would normally connect to an ignition box tach output or the EZ-TCU™ RPM Module can instead be plugged into this second wire in the TCU harness for a splice-free hook up.

### MANUAL SHIFT

This connector contains the wires needed to enable and use manual bump up/bump down shifting. Buttons can be mounted where ever they are convenient in the vehicle – on the

steering wheel, on the shift lever, etc. TCI® offers shifters and accessories that can be used for this purpose.

<u>Pin</u>	<u>Color</u>	<u>Function</u>	<u>Notes</u>
A	Red	Bump Down	Use momentary switch to ground to request a downshift.
B	Yellow	Bump Up	Use momentary switch to ground to request an upshift.
C	Blue	Auto/Manual	Use a toggle switch to ground to enable Manual Shifting.
D	Black	Ground	Can be used as the ground source for switches.

#### SPEEDOMETER OUTPUT (loose wire)

This wire puts out a 12V square wave to drive an electronic speedometer. The number of pulses per mile is selected in the handheld.

#### ECONOMY / PERFORMANCE (loose wire)

When switched to ground through a toggle switch, this TCU input can be used to select a more performance oriented shift strategy. Line pressure and shift points will be altered according to settings entered in the handheld.

#### TCC APPLY (loose wire)

When switched to ground, (and when some very basic requirements are met) this TCU input forces the torque converter clutch to lock up. Otherwise, the TCC will lock and unlock automatically based on user configurable settings.

#### FLASH ENABLE (loose wire)

This wire is only used in the rare case that new firmware needs to be loaded into the TCU. This wire would be grounded as the TCU is keyed on. Be sure that this wire is not accidentally grounded in normal operation. If the TCU accidentally starts up in Flash Mode (LED flashing steady on/off pattern – a slower pattern than the rapid flashing that indicates an error code has been set), the transmission will not function properly. If that occurs, make sure the FLASH ENABLE wire is not grounded, then key off, wait about 10 seconds and key back on.

#### HANDHELD

This connects to the communications cable the links the main wiring harness to the handheld user interface.

#### SPEEDOMETER CONTROL UNIT

This connects to an optional TCI® Speedometer Control Unit (SCU). An SCU uses an electric motor to spin a special speedometer cable to drive a mechanical speedometer.

## RPM Module



There are two basic options for supplying the EZ-TCU™ with an RPM input.

### 1. Clean, processed Tach signal from engine electronics

Electronics involved in running the engine – fuel injection, ignition, etc. – will need to know engine RPM. So there may be an existing tach signal wire that can be tapped into. The EZ-TCU™ requires a square wave type tach signal that pulses once per cylinder firing. Ignition systems – such as aftermarket capacitive discharge (CD) ignition boxes – often have dedicated “Tach” outputs that are a perfect RPM signal source for the TCU.

If using a clean, processed Tach signal, the TACH IN / RPM MODULE wire in the EZ-TCU™ wiring harness is connected directly to that source - the “Tach” output from an ignition box, etc. The RPM Module included with the kit is not used in this case. And no part of the EZ-TCU™ system is connected to the coil.

### 2. Inductive coil

Another RPM signal source is the negative side of the ignition coil in a traditional dwell controlled inductive ignition system. One in which the coil is fed power on one side and is charged by grounding the other side - either by “points” or some form of electronic module. An HEI is one example of this type of ignition system.

To use this RPM signal option, the **RPM Module is required**. The RPM Module connects to the negative side of the coil and outputs a “Tach” signal to the TCU. The RPM Module is connected as follows:

<u>Wire color</u>	<u>Connection</u>
Black	Engine block
Black	Engine block
White	Negative side of coil
Yellow	TACH IN / RPM MODULE wire in EZ-TCU™ wiring harness

The RPM Module is provided to allow this convenient installation option. But keep in mind that it has limitations. The negative side of an ignition coil is one of the noisiest points on the engine. In most applications, the RPM Module will be able to deal with this and feed a clean RPM signal to the TCU. But the old saying – garbage in, garbage out - applies here. If the

inductive ignition system is just too noisy or inconsistent, a different RPM signal source will be needed. A poor RPM signal can cause the RPM display on the Live Data screen to appear erratic. It can also lead to inconsistent shift points under heavy load.

#### RPM Module Installation Notes:

- HEI distributors (and possibly others) have a terminal labeled “TACH”. However, that is not a clean, processed tach signal like an aftermarket ignition box would supply. Instead, it is simply another terminal connected to the negative side of the coil. Do **NOT** connect the TACH IN / RPM MODULE wire in the EZ-TCU™ wiring harness directly to that terminal. The TCU will be damaged. In a case like that, the RPM Module is required since what you are really doing is connecting to the negative side of a dwell controlled coil.
- Do **NOT** bypass the RPM Module and connect the TACH IN / RPM MODULE wire in the EZ-TCU™ wiring harness directly to the negative side of the coil. It may actually work that way for a time. But the TCU will be damaged and system performance will degrade.
- Do **NOT** connect anything from the EZ-TCU™ system to the coil – RPM Module or TACH IN / RPM MODULE wire – when using an aftermarket ignition box.
- Use resistor type spark plugs. Non-resistor plugs are very noisy and interfere with electronics – including the EZ-TCU™ system.
- Do **NOT** use solid core spark plug wires. These are also very noisy.

#### Speedometer Control Unit (SCU) (Not included in EZ-TCU™ kit)



An optional TCI® SCU uses an electric motor to spin a special speedometer cable to drive a mechanical speedometer. The SCU wiring mates directly to the EZ-TCU™ wiring harness.

To configure the SCU for use with the EZ-TCU™, remove the SCU's lid to access a row of DIP switches. Set switches 4, 5 and 8 to the “ON” position. All others should be “OFF”. Once the switches are set, the lid can be replaced. In the Setup Wizard or in the Advanced Options menu, set the SPEEDO PPM to “4000PPM OR SCU”.

In other applications, the SCU needs the DIP switches to be set according to a formula based on various drive train information. That calculation is not required for use with the EZ-TCU™. Once the

switches are set as described above, the EZ-TCU™ handles the rest. It sends a calibrated speed signal to the SCU.

### Installation Sequence

This is a general outline of the installation process. Read all of the component specific installation notes for more detail before beginning the installation.

1. Connect the TRANS and OUTPUT SHAFT SPEED connectors from the wiring harness to the transmission. Route the rest of the harness into the engine compartment.
2. Determine the appropriate method for getting an RPM signal into the TCU. Install RPM Module if needed. Connect the wiring harness to the RPM signal source.
3. Connect the wiring harness to a TPS signal source.
4. If a mechanical speedometer will be used, install the optional TCI® SCU and connect the wiring harness to it.
5. Find a suitable location and mount the TCU. Make sure the wiring harness will reach the mounting location.
6. Connect the BATTERY POS and BATTERY NEG wires **DIRECTLY** to the battery. These must be run independently to the battery. Do **NOT** splice other power or ground wires into these wires. Extend the wires if necessary to reach the battery. Use automotive grade 16 gauge (or larger) wire.
7. Connect the 12V SWITCHED wire to a switched ignition source (hot in On/Run and Crank). Do **NOT** connect to the positive side of an ignition coil.
8. If Manual Shifting will be used, route the MANUAL SHIFTING connector into the cockpit and wire in an enable switch and a pair of buttons for upshift and downshift.
9. To use the Forced TCC Lockup feature, route the TCC APPLY wire into the cockpit and connect it to a switch or button.
10. To access Performance Mode, route the ECONOMY/PERFORMANCE wire into the cockpit and connect it to a switch.
11. If an electronic speedometer will be used, route the SPEEDOMETER OUTPUT wire into the cockpit and connect it to the speedometer.
12. Connect the wiring harness to the TCU.

### Setup

1. Switch on the ignition.
2. Connect the handheld to the main wiring harness using the communications cable. And to power by connecting the power cable to the handheld and to a cigarette lighter plug. For convenience, the handheld power source should be hot in On/Run and Crank. If it loses power while cranking, there will be a short wait before the handheld can be used as it powers back up.
3. Select SETUP WIZARD in the handheld. It will walk you through the setup procedure.

## HANDHELD

The EZ-TCU™ handheld serves as the user interface with the EZ-TCU™ system. It has a straight forward menu system that offers advanced features without requiring a laptop or any computer skills.

Its first task is to take you through the Setup Wizard. It also serves as a scan tool by displaying live data and diagnostics information. Beyond basic setup, you can also adjust other settings to suit your preferences.



#### Handheld Notes:

- The handheld has two cables that must be connected. A communications cable that links the handheld to the HANDHELD connector on the main wiring harness. And a power cable that goes to a cigarette lighter receptacle. For convenience, the handheld power source should be hot in On/Run and Crank. If it loses power while cranking, there will be a short wait before the handheld can be used as it powers back up.
- To turn off the handheld, disconnect the power cable either at the handheld itself or from the cigarette lighter receptacle. Reconnect the power cable to restart the handheld.
- If the handheld displays a “COMM ERROR” message, make sure the handheld’s communication cable is connected and that the TCU is powered on. Then press the RESET button on the handheld.
- If you will be monitoring live data or making adjustments while driving, be safe and bring a friend along to operate the handheld while you drive.



#### Live Data

The Live Data feature allows you to monitor various engine and transmission parameters in real time. There are two screens that can be selected using the UP and DOWN arrows. To return to the main menu, press the POWER/MENU button.



In addition to live data readings, the Live Data screens also feature several Status Indicators. They show when certain conditions are met. In this picture, the TC indicator is “off”. The PM and MM indicators are “on”. These indicators can serve as a troubleshooting tool by offering a way to verify that the various switched inputs are wired and functioning properly.



- **DASH 1**

RPM Engine speed.  
 MPH Vehicle speed.  
 GEAR Current gear.

<u>Status Indicator</u>	<u>Meaning</u>
TC	Torque Converter Clutch. This indicates that the torque converter clutch is locked. It is normally controlled automatically by the TCU but can also be forced to lock by grounding the TCC APPLY wire.
PM	Performance Mode. This indicates that the ECONOMY / PERFORMANCE wire has been grounded to select the more aggressive Performance Mode. When this indicator is off, the TCU operates in normal Economy Mode.
MM	Manual Mode. This indicates that manual bump up / bump down shifting has been enabled by grounding the Auto/Manual wire in the MANUAL SHIFT connector. The TCU will hold the current gear until told to shift, unless the vehicle comes to a stop. In that case, it will downshift into 1st gear.



- **DASH 2**

TOT(F) Transmission Oil Temperature.

BAT(V) Battery voltage.

TPS% Throttle Position Sensor. It's range is from 0 (resting idle position) to 100 (full open position). The Setup Wizard takes care of calibrating this sensor. It can easily be verified using this display. If you ever notice the TPS reading is not 0 at idle, it should be re-calibrated by selecting TPS CALIBRATE in the Advanced Options section of the handheld.

SGR Selected Gear. This shows the position of the shift lever.

PN	Park/Neutral
R	Reverse
OD	4 <sup>th</sup> lever detent / Overdrive
L3	3 <sup>rd</sup> lever detent / Drive
L2	2 <sup>nd</sup> lever detent / 2 <sup>nd</sup>
L1	1 <sup>st</sup> lever detent / 1 <sup>st</sup>

Status Indicator

Meaning

BU Bump Up. This indicates that an upshift is being requested by grounding the Bump Up wire in the MANUAL SHIFT connector. Manual Shifting must be enabled for the Bump Up input to be recognized by the TCU and for this indicator to work.

BD Bump Down. This indicates that a downshift is being requested by grounding the Bump Down wire in the MANUAL SHIFT connector. Manual Shifting must be enabled for the Bump Down input to be recognized by the TCU and for this indicator to work.

SE System Error. This indicates that an error code has been set. It acts like a Check Engine Light. Select ERROR CODES from the main menu to check and clear error codes.

## Setup Wizard

The EZ-TCU™ Setup Wizard will walk you through the initial TCU setup. Once you select SETUP WIZARD from the main menu, you will be asked...

- **START A NEW TUNE? YES** will let you continue the Setup Wizard. It will also reset most settings in the Advanced Options menu. **NO** will take you back to the main menu.
- **TRANSMISSION MODEL.** Select the transmission type.
- **NUMBER OF CYLINDERS.** Enter the number of cylinders your engine has.
- **TIRE DIAMETER.** If you know the rear wheel tire diameter, select **ENTER DIAMETER** and enter the value when prompted. Or select **USE TIRE SIZE** to use the tire size calculator. It will prompt you to enter the tire section width, aspect ratio and wheel size that is molded into the sidewall of the tire. The tire diameter will be calculated and displayed for you to review before continuing.
- **SPEEDO OUTPUT.** Different speedometers require different numbers of pulses per mile (PPM). Select the appropriate PPM setting.

If an optional TCI® Speedometer Control Unit (SCU) will be used to drive a mechanical speedometer, select “4000PPM OR SCU”.

If you won't be using the EZ-TCU™'s speedometer output, it doesn't matter what setting is selected.

If you will be using the EZ-TCU™'s speedometer output but you don't know what PPM your speedometer requires, select the “4000PPM OR SCU” option. Later while driving, this setting can be adjusted with the SPEEDO PPM setting in the Advanced Options menu.

Some aftermarket speedometers are programmable. For those speedometers, this setting may not be critical.

- **REAR AXLE GEAR RATIO.** Enter the gear ratio. This is an important setting. If you aren't sure of the exact ratio, enter your best guess for now. Later, you should use the ADJUST SPEEDO setting in the Advanced Options menu to dial in the TCU's speed reading.
- **MAX SHIFT RPM.** Enter the highest RPM you want your engine to reach during wide open throttle shifting.
- **TPS CALIBRATION SCREENS.** The throttle position sensor (TPS) sends a voltage to the TCU that varies with throttle movement. The TCU needs to know what voltage corresponds to closed and full throttle. You will be asked to leave the throttle at the idle

/ closed position. Once that value is captured, you'll be asked to hold the throttle wide open. The Setup Wizard will tell you how long to hold the throttle open while it captures that value.

(NOTE: The full throttle procedure is meant to be performed with the engine NOT running!)

That's it! The TCU is configured and almost ready to go. The only remaining step is to power cycle the TCU - key-off, wait 10 seconds, and turn it back on.

### Advanced Options

The Advanced Options menu allows you make adjustments beyond the basic settings configured by the Setup Wizard.



- **SPEEDO PPM.** Different speedometers require different numbers of pulses per mile (PPM). If the wrong PPM setting is used, the speedometer readings will be off by a large margin. The speedometer would read quarter speed, half speed, double speed, etc. - something pretty obvious. If you don't know what input your speedometer is expecting, try other PPM settings until the speedometer displays a reasonable speed.

Some aftermarket speedometers are programmable. For those speedometers, this setting may not be critical.

- **ADJUST SPEEDO.** This setting can be used to fine tune the TCU's speed reading. It compensates for errors in the entered tire size and rear axle gear ratio.

(NOTE: If an external speedometer – as opposed to the MPH display on the EZ-TCU™ handheld - is grossly mis-calibrated, refer to the SPEEDO PPM setting.)

While the vehicle is being driven, the screen will display the TCU's current speed reading. Using the arrow keys, the speed reading can be adjusted up or down. Once satisfied that the displayed speed is accurate, use the DONE button to lock in the adjustment.

Since the point of this adjustment is to verify the speed as reported by the TCU, you will need an independent speed reference for comparison. For example, you could...

- pace yourself against another car being driven at a known speed
- use a GPS unit that displays ground speed
- drive the car on a chassis dyno

- **TPS CALIBRATE.** The throttle position sensor is calibrated in the Setup Wizard. This lets you repeat that process by itself. Just like in the Setup Wizard, you will be asked to leave the throttle at the idle / closed position. Once that value is captured, you'll be asked to hold the throttle wide open.

(NOTE: The full throttle procedure is meant to be performed with the engine NOT running!)

- **TIRE SIZE.** Rear wheel tire diameter can be adjusted or re-calculated here.
- **DIFF GEAR.** Rear axle gear ratio can be adjusted here.
- **MORE.** This brings up another page of Advanced Options.



- **MAX SHIFT RPM.** The highest RPM you want your engine to reach during wide open throttle shifting can be adjusted here.
- **LOWSPEED SHIFT.** This setting is used to adjust the vehicle speeds at which the transmission shifts under very light load, i.e., when the TPS reading is small. A higher number means the transmission will shift at higher speeds.

NOTE: The handheld uses the setting entered here to perform calculations related to shift speeds. The results are what actually get written to the TCU. Not this setting itself. So anytime you access this setting, it will display the same default value to start. This is not an indication of a problem. The TCU does retain the shift speed information.

- **SHIFT AGGRESS.** This setting adjusts how aggressive the overall shift strategy is. A higher number means that the transmission will hold gears longer and be quicker to downshift. This setting has a big impact on the overall demeanor of the transmission.
- **SHIFT FIRMNESS.** This setting adjusts the base transmission line pressure. A higher number means higher pressure which is felt as firmer shifts. Higher pressure also tends to allow less slip as the gears engage. Line pressure automatically increases with increasing throttle and will always be maxed out during full throttle operation. So line pressure does not need to be set uncomfortably high in normal part throttle driving in order to get full pressure shifts under heavy load.

Keep in mind that the parts and techniques used in assembling a transmission can have a large effect on line pressure and shift feel. Adjusting this setting will cause the TCU to call for more or less pressure. But it is possible for the mechanical/hydraulic components of the transmission to overpower the control the electronics can have on line pressure and shift feel.

- **6X OVERLAP.** This setting is only used with a TCI® 6x Six-Speed transmission. It affects shift characteristics when shifting between certain gears. Consult with TCI® tech support before attempting to alter these settings.
- **MORE.** This brings up another page of Advanced Options.



- **MIN TCC LOCK.** This setting is the minimum vehicle speed required for the TCU to lock the torque converter clutch. Locking the TCC while cruising is good for fuel economy. It also allows the transmission fluid to cool. However, TCC lockup can be completely disabled if desired by entering an unobtainable speed in this setting. The vehicle would then always be below the minimum speed for TCC lockup.
- **MAX TCC TPS.** This setting is the maximum throttle opening allowed before the torque converter clutch is unlocked. When the TCC locks up, it can feel similar to

shifting into a higher gear. RPM's typically drop and the engine has to work harder to accelerate the vehicle. If this setting is too low, TCC will unlock too easily. This can be an annoyance as it locks and unlocks too often in the course of normal cruising. If this setting is too high, the vehicle may feel unresponsive during medium to high speed cruising. As more throttle is applied, the engine may feel like it is struggling until the TCC finally unlocks and allows the engine to more easily accelerate the vehicle. The proper setting is subjective. And also dependant on the characteristics of the vehicle and its powertrain – vehicle weight, engine torque, etc. Some experimentation will likely be required to find the preferred value for this setting.

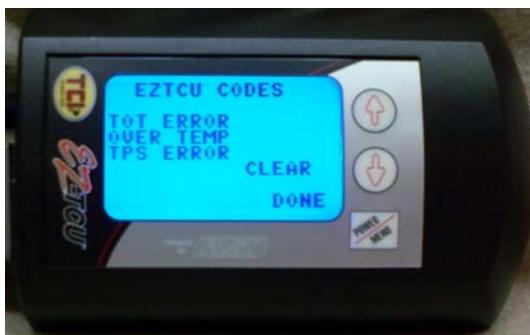
- **PERF AGGRESS.** This setting determines how much more aggressive the shift strategy becomes when in Performance Mode. A higher number means that the transmission will hold gears longer and be quicker to downshift. This adjustment is applied on top of whatever adjustment is already in place through the SHIFT AGGRESS setting.
- **PERF FIRMNESS.** This setting determines how much shifts are firmed up when in Performance Mode. A higher number means firmer shifts. This adjustment is applied on top of whatever adjustment is already in place through the SHIFT FIRMNESS setting.
- **DONE.** This will take you back to the main menu.

### Error Codes

The EZ-TCU™ system features a diagnostics feature. The TCU constantly monitors various inputs for any deviations from normal operation. If any is detected, the LED on the front face of the TCU flashes rapidly as a warning that there is a problem (the LED is lit solid when the TCU is powered on and working normally or it will flash a slower on/off pattern if the TCU started up in Flash Mode). Also, the SE Status Indicator displayed on the Live Data screen acts like a Check Engine Light. It will signal if an error code has been set. The handheld can be used to read any error codes that have been set.

Once an error code is set, it is saved in the TCU until the TCU is reset by keying-off and allowing the TCU to complete its shutdown procedure (takes approximately 5-10 seconds). Or error codes can be cleared with the handheld at any time.

The picture on the left is showing error codes. After clearing them, the picture on the right shows what the EZTCU Codes screen normally looks like.



The following error codes are possible:

<u>Fault</u>	<u>Monitors</u>
TOT	Transmission oil temperature sensor open or short. The sensor is inside the transmission.
OVER TEMP	Transmission oil temperature has gone over 262°F.
TPS	Throttle position sensor open or short.
BATT	Battery voltage below 7V or above 19V for 10 seconds.
PSWM	Invalid pattern from pressure switch manifold (internal transmission sensor that tells TCU what gear is selected.)

If the TCU is completely disabled – power is lost, harness is cut, etc. – the transmission can still be driven with limited functionality. Line pressure will be maxed out. Reverse will work. The transmission will default to 3<sup>rd</sup> gear with the shift lever in Overdrive or L3/Drive. 2<sup>nd</sup> gear can be selected by moving the shift lever into the L2 position.

## **EZ-TCU™ SYSTEM FEATURES AND OPERATION**

### **Performance Mode**

When Performance Mode is enabled, the TCU will use a more aggressive shift strategy (transmission will hold gears longer and be quicker to downshift) and higher line pressure for firmer shifts. The degree to which both are affected by enabling Performance Mode can be adjusted independently through the Advanced Options in the handheld. This allows Performance Mode to be adjusted to suit the driver's preferences.

### **Manual Shifting (Bump Up / Bump Down)**

By enabling Manual Shifting, the transmission can be controlled with two buttons – one for upshift, one for downshift. The buttons can be mounted where ever they are convenient in the vehicle – on the steering wheel, on the shift lever, etc. TCI® offers shifters and accessories that can be used for this purpose.

In this mode, the TCU will hold the current gear until told to shift, unless the vehicle comes to a stop. In that case, it will downshift into 1<sup>st</sup> gear to ensure easy acceleration away from the stop. A side effect of this feature is that the rear wheels must be turning before the TCU will accept an upshift request.

Because the TCU will not upshift on its own when Manual Shifting is enabled, care should be taken to avoid over revving the engine. A rev limiter in a fuel injection or ignition system can act as a safety net to protect the engine in case the driver waits too long to upshift.



Depending on vehicle speed, the TCU may ignore downshift requests. This is done to prevent over revving the engine and/or destabilizing the vehicle.

### **TCC Lockup / Forced TCC Lockup**

The TCU locks up the torque converter clutch during cruising conditions for improved fuel economy and to allow the transmission fluid to cool. In order for the TCC to lock, several conditions must be met:

- Transmission fluid warmed up
- Transmission above 3<sup>rd</sup> gear (unless transmission fluid is overheated)
- Vehicle speed above user adjustable minimum (see MIN TCC LOCK setting)
- Throttle above idle position
- Throttle below user adjustable maximum (see MAX TCC TPS setting)

NOTE: TCC lockup can be completely disabled if desired by entering an unobtainable speed for the MIN TCC LOCK setting. The vehicle would then always be below the minimum speed for TCC lockup.

There is also a Forced TCC Lockup mode. When the TCC APPLY wire is grounded, the TCC will lock without the normal requirements being met. The only conditions that must be met are in place to prevent stalling if this feature is accidentally turned on or left on:

- Transmission above 1<sup>st</sup> gear
- Vehicle speed above 10 mph

### **TCI® 6x Six-Speed in Drive**

Just like the 4L60E and 4L80E transmissions, when the TCI® 6x Six-Speed transmission is operated with the shift lever in the L3/Drive position, it uses 3 forward gears.

### **L2 Shift Lever Position**

In normal operation, the TCU controls shifting and the transmission will upshift through the gears at the appropriate speeds up to the shift lever position. For example, it will upshift until it gets to 3<sup>rd</sup> gear when the shift lever is in the L3/Drive position. Putting the shift lever into the L2 position is a special case. Instead of just being the upper limit for gear selection, it actually puts the transmission directly into 2<sup>nd</sup> gear. This can be useful in special situations. For example, it may help reduce wheel spin when pulling away from a stop on a slippery surface.

### **Speed Checks**

There are vehicle speed checks in place to protect the drive train if a gear is selected (either with the shift lever or with manual bump up / bump down shifting) that is too low for the current vehicle speed. In this case, the TCU will not electronically execute the requested downshift. However, due to the mechanical / hydraulic makeup of a transmission, the TCU does not always have absolute control over gear selection. For example, moving the shift lever on a TCI® 6x Six-Speed transmission from Overdrive to L3/Drive while the transmission is in 6<sup>th</sup> gear will result in a downshift regardless of vehicle speed. So even though the TCU is programmed to do all it can to protect the drive train, the

driver must still use caution and common sense when requesting a downshift. Ultimately, the well being of the vehicle and its occupants is the driver's responsibility.

## LED

The LED on the front face of the TCU operates as follows:

**On solid** - TCU powered up and working normally.

**Rapid flashing** - An error code has been set. Select ERROR CODES from the main menu to check and clear error codes.

**Slow flashing** - TCU is in Flash Mode. Make sure the FLASH ENABLE wire is not grounded, then key off, wait about 10 seconds and key back on.

## TRANSMISSION INFORMATION

### Transmission Troubleshooting

The EZ-TCU™ system relies on properly functioning components within the transmission to do its job correctly. Some of those components can be checked by measuring resistance between the appropriate terminals in the TCU's main connector. To perform the testing, disconnect the main connector from the TCU and probe the pairs of terminals with a multi-meter set to measure resistance. Terminal numbers are molded into the main connector.

Component (4L60E / 4L80E / 6x)	Terminals at...				Ohms (at 70°F)		
	TCU		Trans		4L60E	4L80E	6x
Shift Solenoid A	4	13	E	A	20 - 30		
Shift Solenoid B	4	14	E	B	20 - 30		
Force Motor	1	10	D	C	3.5 – 8.0		
----- / TCC / TCC	4	11	E	S	n/a	10 - 15	10 - 15
TCC / ----- / -----	4	20	E	T	20 - 30	n/a	n/a
TCC PWM / ----- / Sol. C	4	15	E	U	10 – 15	n/a	20 - 30

### Transmission Retrofit Details

The mechanical portion of this transmission swap is similar to swapping a 700R4 into an older model vehicle that was originally equipped with a Powerglide, TH350 or TH400 transmission. Depending on the application, the driveshaft may need to be lengthened or shortened. The crossmember may need to be moved and the transmission mount, bellhousing and shift linkage may need to be modified. The starter may need to be replaced as well. If you are installing a high performance aftermarket converter, you may even need to drill the flexplate holes oversize in order to accommodate larger-than-factory bolts. Be sure to check this before attempting the swap. (It's a hassle to have to remove the transmission from the car simply because the converter bolts would not go through the flexplate!)

Use the dimensions listed below to determine the proper amount to move your crossmember and the amount to have the driveshaft shortened or lengthened.

Transmission	Overall Length	Distance to Crossmember Mount	Bellhousing Bolt Pattern
<b>4L60E</b> (1993-1996)	30 <sup>3</sup> / <sub>4</sub> "	22 <sup>1</sup> / <sub>2</sub> "	Chevy
<b>4L60E/4L65E</b> (1996-later w/ removable bellhousing, non-LS1)	30 <sup>3</sup> / <sub>4</sub> "	23 <sup>3</sup> / <sub>16</sub> "	Chevy
<b>4L60E/4L65E</b> (1998-later w/ LS1)	31 <sup>5</sup> / <sub>32</sub> "	23 <sup>19</sup> / <sub>32</sub> "	Chevy
<b>4L80E/4L85E</b> (Std. 2WD)	32 <sup>11</sup> / <sub>16</sub> "	30 <sup>3</sup> / <sub>8</sub> "	Chevy
<b>4L80E/4L85E</b> (HD 2WD)	31 <sup>15</sup> / <sub>16</sub> "	30 <sup>3</sup> / <sub>8</sub> "	Chevy
<b>4L80E/4L85E</b> (HD long)	33"	30 <sup>3</sup> / <sub>8</sub> "	Chevy
<b>700R4/4L60</b>	30 <sup>3</sup> / <sub>4</sub> "	22 <sup>1</sup> / <sub>2</sub> "	Chevy
<b>2004R</b>	27 <sup>11</sup> / <sub>16</sub> "	27"	Chevy, BOP, Fit-all*
<b>Powerglide</b>	27 <sup>11</sup> / <sub>16</sub> "	20 <sup>9</sup> / <sub>16</sub> "	Chevy, BOP
<b>TH350</b> (6" tailshaft)	27 <sup>11</sup> / <sub>16</sub> "	20 <sup>3</sup> / <sub>8</sub> "	Chevy, BOP, Fit-all*
<b>TH350</b> (9" tailshaft)	30 <sup>11</sup> / <sub>16</sub> "	20 <sup>3</sup> / <sub>8</sub> "	Chevy, BOP, Fit-all*
<b>TH350</b> (12" tailshaft)	33 <sup>27</sup> / <sub>32</sub> "	20 <sup>3</sup> / <sub>8</sub> "	Chevy, BOP, Fit-all*
<b>TH400</b> (C tailshaft)	28 <sup>3</sup> / <sub>8</sub> "	26 <sup>15</sup> / <sub>16</sub> "	Chevy, BOP
<b>TH400</b> (D tailshaft)	33 <sup>27</sup> / <sub>32</sub> "	27 <sup>15</sup> / <sub>16</sub> "	Chevy, BOP
<b>TH400</b> (13" tailshaft)	37 <sup>7</sup> / <sub>8</sub> "	27 <sup>21</sup> / <sub>32</sub> "	Chevy, BOP

\* Fit-all refers to a bellhousing configured to accept either a Chevy or BOP engine.  
(BOP = Buick, Olds, Pontiac, Cadillac)

Both the 4L60E/4L65E and 4L80E/4L85E have Chevy bellhousing bolt patterns. TCI® has a full line of adapters to allow these transmissions to be bolted up to Buick, Olds, Pontiac engines as well as popular engines from Ford and Chrysler as well.

### Additional 4L60E/4L65E Notes

#### Header / Exhaust Clearance

There are several different bellhousing configurations for the 4L60E/4L65E transmission. The earlier models (1993-1996) have an integral bellhousing identical to the 700R4. In some cases, the dust cover mounting ears will have to be cut off to accommodate header collectors. This can easily be accomplished with a hacksaw. The later models (1996-later) have a fully circumferential, bolt-on bellhousing. It is important to use the correct bellhousing for your application. The LS1-style 4L60E/4L65E transmissions have a unique bellhousing and input shaft. These types are not direct replacements for the non-LS1 applications.

Some headers will interfere with the starter hump on the bolt-on bell housings. It may be necessary to either dimple the header or cut off the starter hump.

**Starter Clearance**

The bellhousing may require modifications if you intend to use a stock starter. As an alternative to modifying the bellhousing, you may choose to install a TCI® starter.

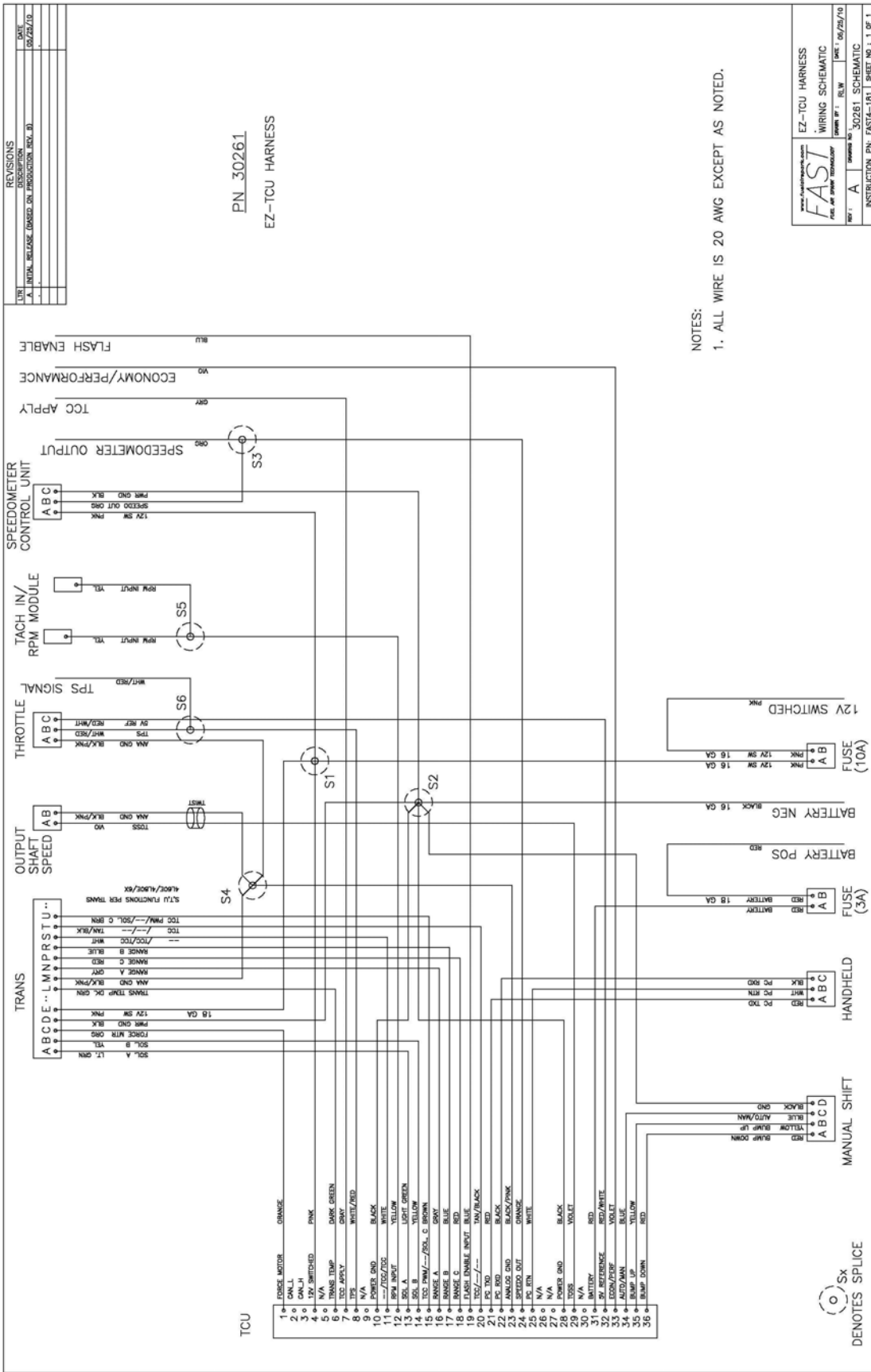
**Shift Lever**

Many 1996-later, two-piece case transmissions (primarily trucks) have a shift lever that is about 1” longer than the early-style found on 700R4, TH350 and TH400.

**Cooler Lines**

Your existing lines may have to be bent to connect to a 1996-later, two-piece case transmission. These units have fittings that are parallel to the ground instead of being angled down. You may also need to change the case fittings as many 1996-later transmissions are equipped with the factory quick-connect style.

NOTE: Do not use Teflon® tape if replacing cooler fittings. It can cause the case to crack due to over tightening.



## Limited Warranty

TCI® Automotive warrants that all of its products are free from defects in material and workmanship for a period of 1 year from the date of purchase. This limited warranty shall cover the original purchaser.

TCI® Automotive's obligation under this warranty is limited to the repair or replacement of its product. To make a warranty claim, the part must be returned within 1 year of purchase to the address listed below, freight prepaid. Items covered under warranty will be returned to you freight collect. It is the responsibility of the installer to ensure that all of the components are correct before installation. We assume no liability for any errors made in tolerances, component selection, or installation.

**There is absolutely no warranty on the following:**

- Any parts used in racing applications.
- Any product that has been physically altered, improperly installed or maintained.
- Any product used in improper applications, abused, or not used in conjunction with the proper parts.
- Damage due to excessive manifold pressure, i.e. nitrous backfires, engine misfire, etc.

**There are no implied warranties of merchantability or fitness for a particular purpose.** There are no warranties, which extend beyond the description of the face hereof. TCI® Automotive will not be responsible for incidental and consequential damages, property damage or personal injury damages to the extent permitted by law. Where required by law, implied warranties or merchantability and fitness are limited to a term of 1 year from the date of original purchase.

This warranty gives you specific legal rights and you may also have other legal rights, which vary from state to state.