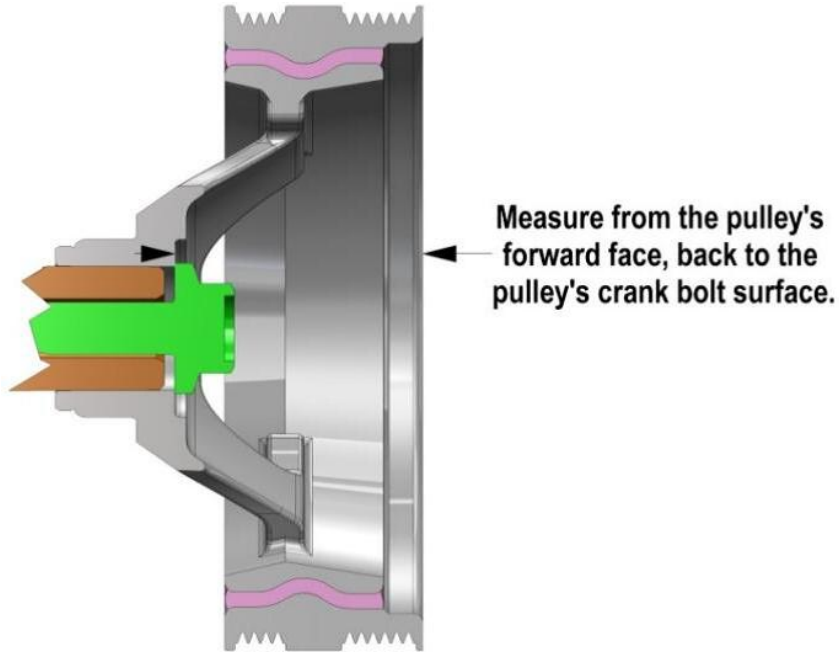


GM LS Engine Crank Pulley Identification



OE Application	Pulley Face to Crank Bolt Surface
Corvette, CTS-V & G8	1.5"
F/Body & GTO	2.25"
2010-UP Camaro & All Trucks	3"