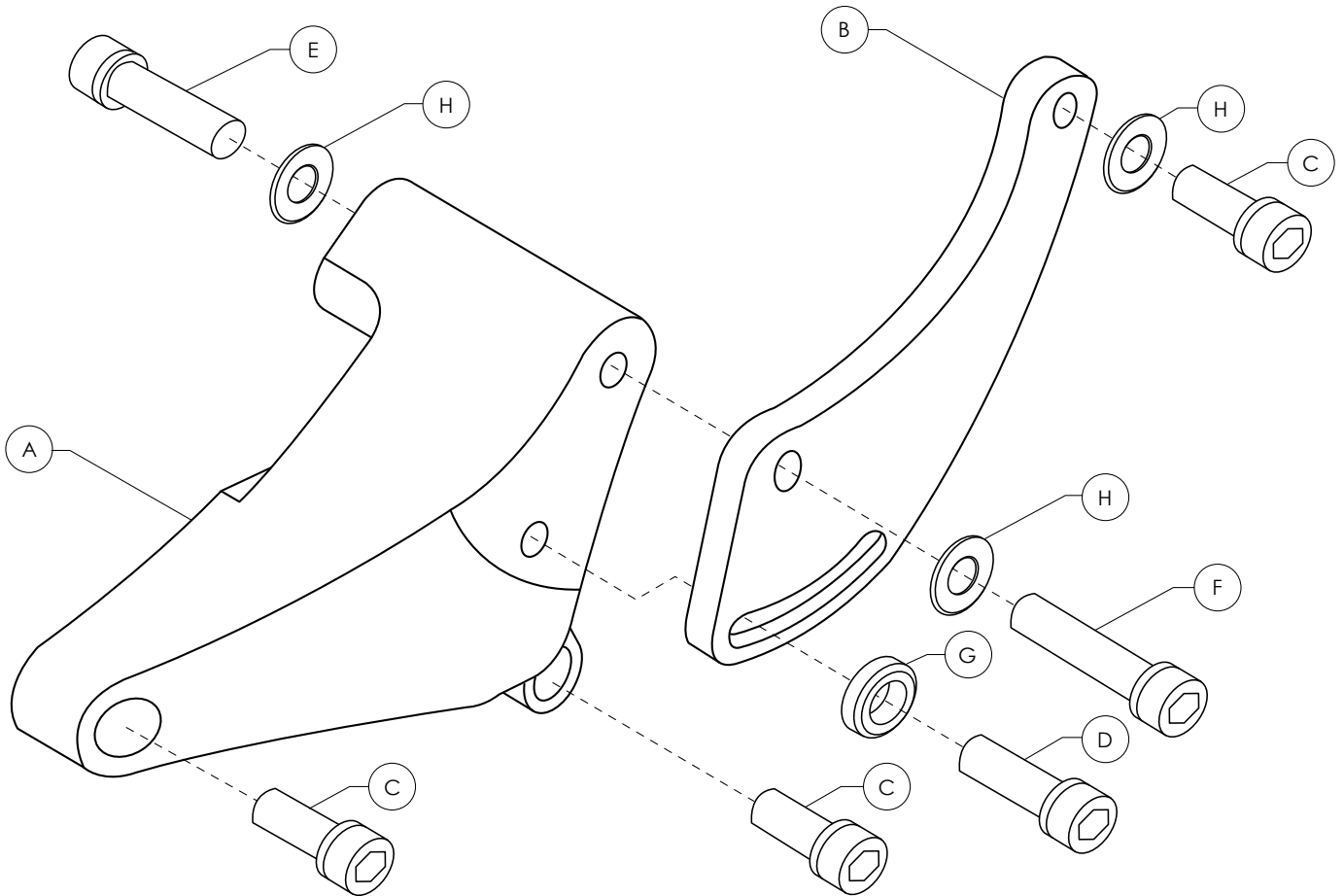




## #10721 Compressor Bracket Mount Instructions Top Mount - Passenger Side



For use with:

- Chevy Small Block – Vortec Heads
- Short water pump
- Sanden 508 AC compressor

1. Use Loctite® removable threadlocker 242 (blue) on all fasteners.
2. Bolt compressor bracket [A] to passenger side head using bolts [C] 3/8-16 x 1-1/4" SHCS in two locations as shown in the illustration. Tighten.
3. Bolt adjustment arm [B] to compressor bracket [A] using bolt [D] 3/8-16 x 1-1/4" SHCS and [G] stainless load washer. Position adjustment arm with bolt location [F] aligned and bolt [D] at the center of the adjustment slot. Tighten bolt [D].
4. Install compressor on bracket [A-B] with the compressor fittings in the 11 and 12 o'clock position using bolt [C] 3/8-16 x 1" SHCS and [H] stainless flat washer, bolt [E] 3/8-16 x 1-1/2" SHCS and [H] stainless flat washer, and bolt [F] 3/8-16 x 1-3/4" SHCS and [H] stainless flat washer. Tighten bolt [C]. Do not fully tighten bolts [E] and [F].
5. Loosen bolt [D] 3/8-16 x 1-1/4" SJCS and allow compressor to rotate clockwise to allow installation of compressor belt.
6. Install compressor belt on front groove when using 2-groove pulleys.  
Goodyear: #15515      Gates: #7512XL      Belt: 7/16" x 51"
7. Apply tension on compressor belt and tighten bolts [D] 3/8-16 x 1-1/4" SHCS, [E] 3/8-16 x 1-1/2" SHCS, and [F] 3/8-16 x 1-3/4" SHCS.

### BILL OF MATERIALS

ITEM	QTY.	DESCRIPTION	SIZE
A	1	Compressor Main Bracket	
B	1	Compressor Adjustment Arm	
C	3	3/8"-16 Socket Head Cap Screw	1"
D	1	3/8"-16 Socket Head Cap Screw	1-1/4"
E	1	3/8"-16 Socket Head Cap Screw	1-1/2"
F	1	3/8"-16 Socket Head Cap Screw	1-3/4"
G	1	Stainless Load Washer	3/4" x 3/16"
H	3	Stainless Flat Washer	3/4" x .060"