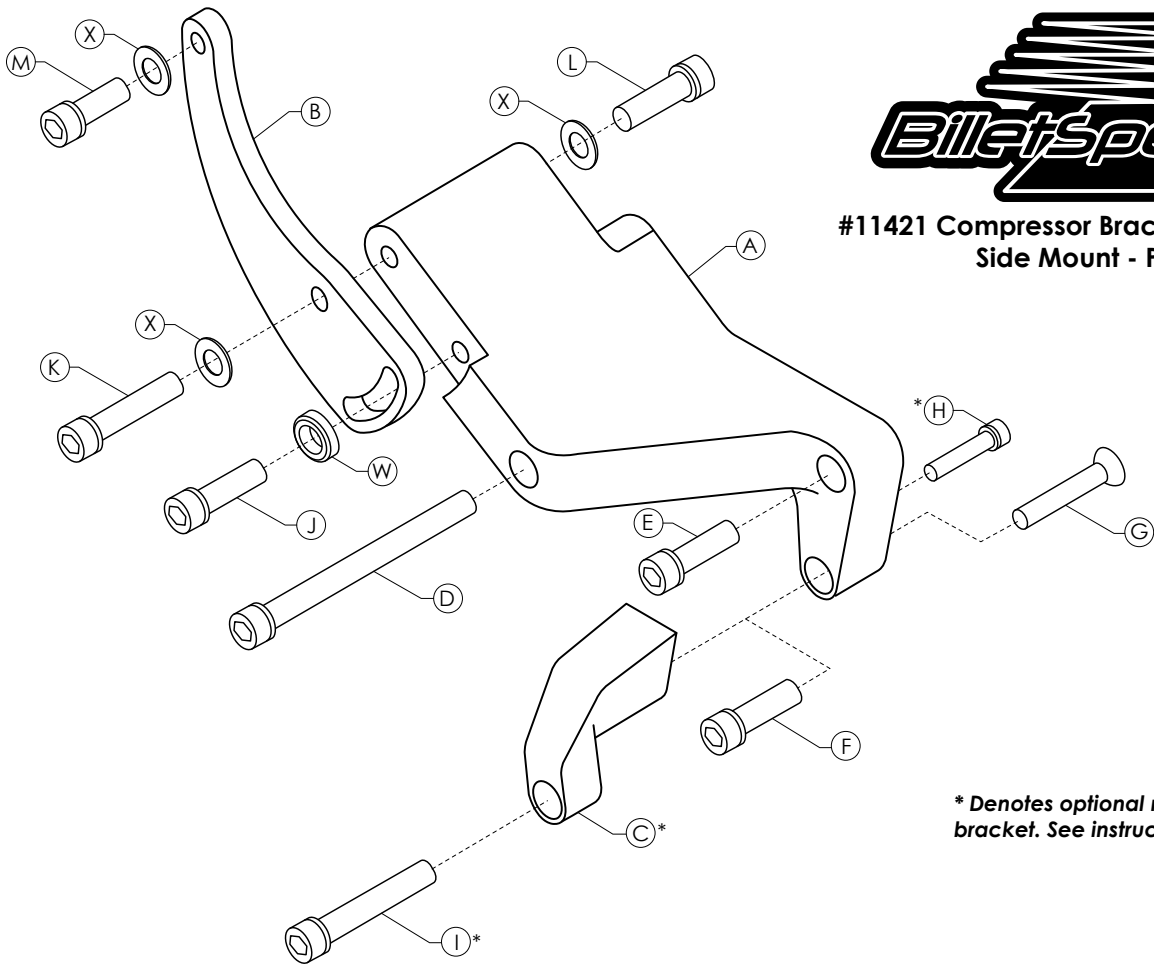




## #11421 Compressor Bracket Mounting Instructions Side Mount - Passenger Side



\* Denotes optional mounting sequence for AC bracket. See instructions for details.

- Use Loctite® removable threadlocker 242 (blue) on all fasteners.
- Mounting for late model heads with 3 tapped holes in passenger side head. Bolt compressor bracket [A] to passenger side head using bolt [D] 3/8-16 x 4" SHCS, [E] 3/8-16 x 1-1/4" SHCS & [F] 3/8-16 x 1-1/4" SHCS. Tighten.  
NOTE: Optional mounting on early heads may be required. If not, Skip to step 6.
- OPTIONAL: For mounting with early heads (Pre-1987) with only 1 drilled and tapped hole on passenger side head. Attach bracket [C] to bracket [A] using bolt [G] 5/16-18 x 1-1/2" FHCS & [H] 1/4-20 x 1-1/4" SHCS. Bolt location [H] in bracket [A] needs to be drilled through with a 1/4" drill bit for this application.
- Bolt bracket [A] & [C] to head using bolt [D] 3/8-16 x 4" SHCS; to water pump using bolt [I] 3/8-16 x 2-1/4" SHCS. Shims may be needed at water pump to compensate for casting variances. Spot drill head at bolt position [E] using a 25/64" drill bit to provide adequate start for tap drill. Remove bracket [A] & [C] and drill head using a 5/16" drill bit to a depth of 1". Hand tap head with a 3/8-16 tap to provide at least 3/4" of thread.
- Reinstall bracket [A] & [C] and shim between bracket [A] & head at bolt location [E] 3/8-16 x 1-1/4" SHCS to compensate for casting variances. Bolt bracket [C] to water pump using bolt [I] 3/8-16 x 2-1/4" SHCS. Shims may be needed at water pump to compensate for casting variances. Tighten bolts: [D], [E], [I].
- Bolt compressor adjustment arm [B] to the inside of the front ear of the Sanden 508 compressor using bolt [M] 3/8-16 x 1" SHCS. Tighten.
- Bolt Sanden 508 compressor with bracket [B] to bracket [A] using bolt [J] 3/8-16 x 1-1/4" SHCS, [K] 3/8-16 x 1-3/4" SHCS, & [L] 3/8-16 x 1-1/4" SHCS. Do not tighten.
- Install compressor belt on front groove when using 2-groove pulleys.
- Apply tension on compressor belt and tighten bolts [J] 3/8-16 x 1-1/4" SHCS, [K] 3/8-16 x 1-3/4" SHCS, & [L] 3/8-16 x 1-1/4" SHCS.

For use with:

- Chevy small block
- Long water pump
- Sanden 508 compressor

### BILL OF MATERIALS

ITEM	QTY.	DESCRIPTION	SIZE
A	1	Compressor Main Bracket	
B	1	Compressor Adjustment Arm	
*C	1	Compressor Main Bracket To Water Pump Connector Bracket	
D	1	3/8"-16 Socket Head Cap Screw	4"
E	1	3/8"-16 Socket Head Cap Screw	1-1/4"
F	1	3/8"-16 Socket Head Cap Screw	1-1/4"
*G	1	5/16"-18 Flat Head Cap Screw	1-1/2"
*H	1	1/4"-20 Socket Head Cap Screw	1-1/4"
*I	1	3/8"-16 Socket Head Cap Screw	2-1/4"
J	1	3/8"-16 Socket Head Cap Screw	1-1/4"
K	1	3/8"-16 Socket Head Cap Screw	1-3/4"
L	1	3/8"-16 Socket Head Cap Screw	1-1/4"
M	1	3/8"-16 Socket Head Cap Screw	1"
W	1	Stainless Load Washer	3/4" x 3/16"
X	4	Stainless Flat Washer	3/4" x .060"
**	2	Stainless Flat Washer (Shims)	3/4" x .032"
**	2	Stainless Flat Washer (Shims)	3/4" x .010"