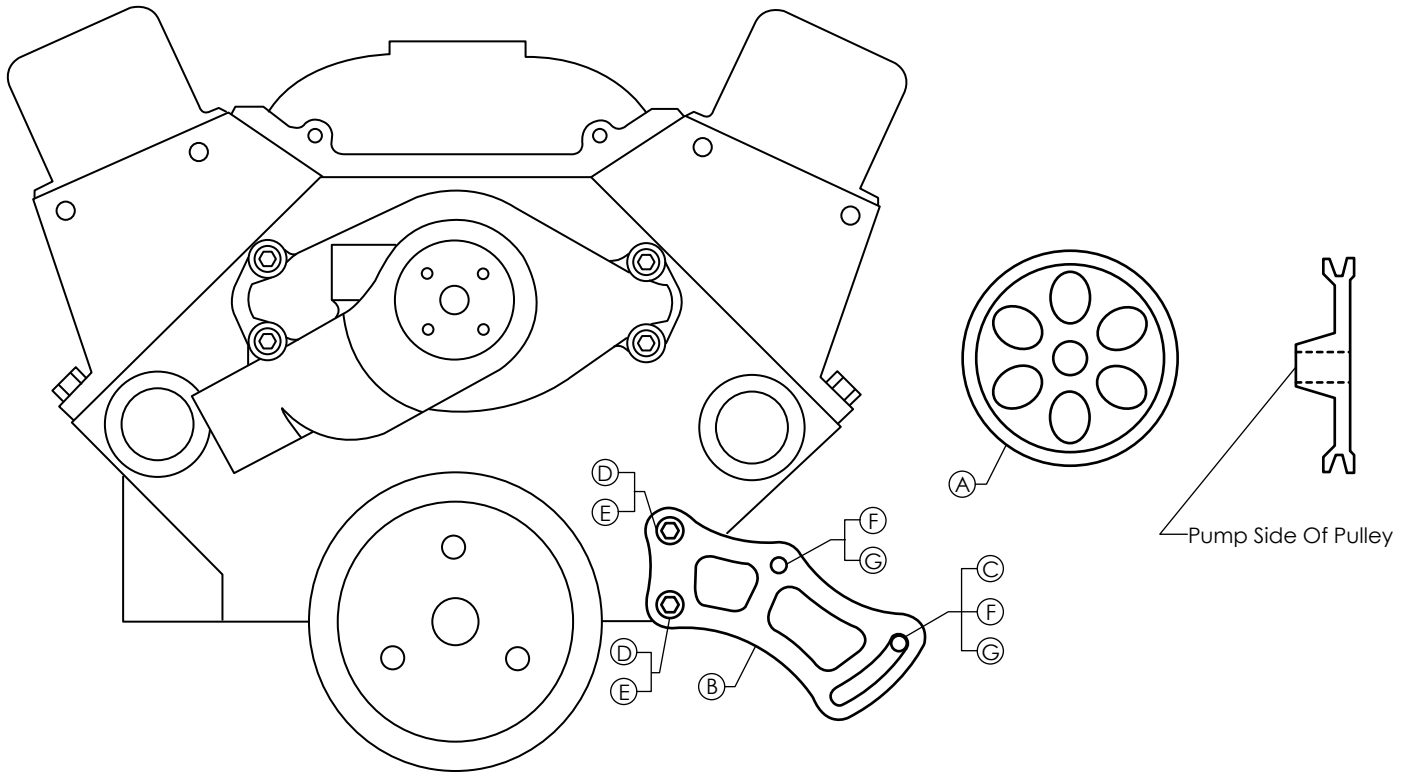




#12120 Power Steering Bracket Mounting Instructions



For use with:

- Chevy small block
- Short water pump
- GM type 2 remote pump (86-93 S-10 4-cyl.)

1. Use Loctite® removable threadlocker 242 (blue) on all fasteners.
2. Bolt power steering bracket [B] to threaded bosses on driver side of block using 3/8-16 x 1-1/4" SHCS [D] and 3/8" flat washers [E] as shown in the illustration. Tighten.
3. Press pulley onto GM remote type 3 pump using proper installation tool. Pump application is 86-93 S-10 4-cylinder. Aftermarket pumps are available with -6 and -10 AN fittings installed.
4. *Install pump onto bracket [B] using 5/16-24 x 3" SHCS [F] and 5/16" lock washers [G]. Use t-nut slide adjuster [C] on adjustment side of bracket. Do not fully tighten.
5. Install power steering belt on the outside groove of the 3-groove crank pulley.
6. Apply tension on the power steering belt and tighten bolts [F] 5/16-24 x 3" SHCS.

*Hoses can be installed on pump prior to pump being installed for ease of assembly.

- 6 AN hose: From power steering pump to inlet side of steering box or rack.
- 10 AN hose: From power steering pump to remote reservoir.

BILL OF MATERIALS

ITEM	QTY.	DESCRIPTION	SIZE
A	1	Power Steering Pulley	
B	1	Power Steering Bracket	
C	1	5/16"-24 Slide Adjuster	
D	2	3/8"-16 Socket Head Cap Screw	1-1/4"
E	2	Flat Washers	3/8"
F	2	5/16"-24 Socket Head Cap Screw	3"
G	2	Lock Washers	5/16"